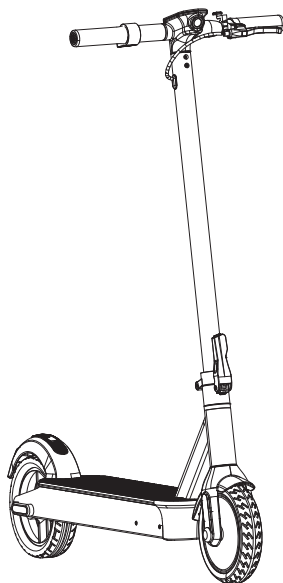


acer



Google APP QR



iOS APP QR



APP user manual
QR

QR du manuel d'utilisation de l'app / QR per il manuale utente dell'app / QR del manual de instrucciones de la aplicación / APP-gebruikershandleiding QR / QR kód uživatelské příručky k aplikaci / Alkalmazás felhasználói kézikönyvének QR kódja / Instrukcija o instalaciji aplikacije QR / QR příručka za APP / 應用程式使用手冊 QR / APP-Bedienungsanleitung QR / QR-kod for app-användarhandbok / Sovelluksen käyttöohjeen QR / APP-bruikerhåndbok QR / QR-kode for brugervejledning til APP / QR-kod dle zařruční rukovadstva používatele aplikace / Ғабрибик користувача QR-код додатка / QR за приложението с ръководството на потребителя / Koda QR za uporabniški priročnik aplikacije / QR QR uputstva za upotrebu aplikacije / UYUŞULAMA kullanan kilevazu QR / QR دليل المستخدم / QR מדריך למשתמש

Acer Electric Scooter ES Series 5
AES015



User Manual

Manuel d'utilisation

Manuale utente

Manual del usuario

Gebruikershandleiding

Uživatelská příručka

Használati utasítás

Podręcznik użytkownika

Korisnički priručnik

使用手冊

Benutzerhandbuch

Användarhandbok

Käyttöohje

Brukerhåndbok

Brugervejledning

Руководство пользователя

Посібник користувача

Ръководство на потребителя

Uporabniški priročnik

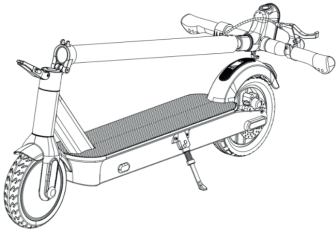




Uputstvo za upotrebu

Kullanım Kılavuzu

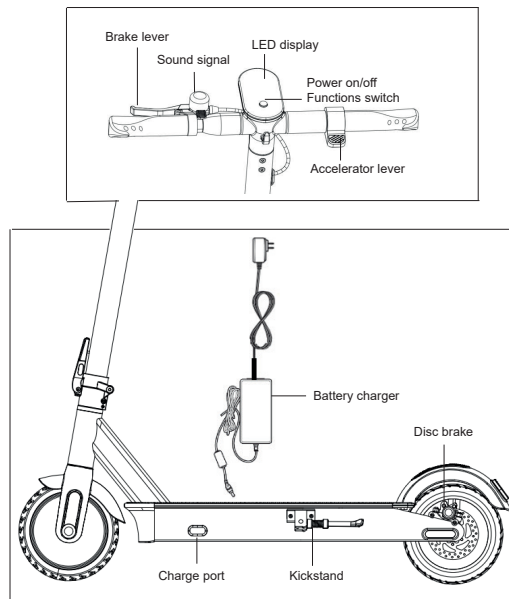
دليل المستخدم

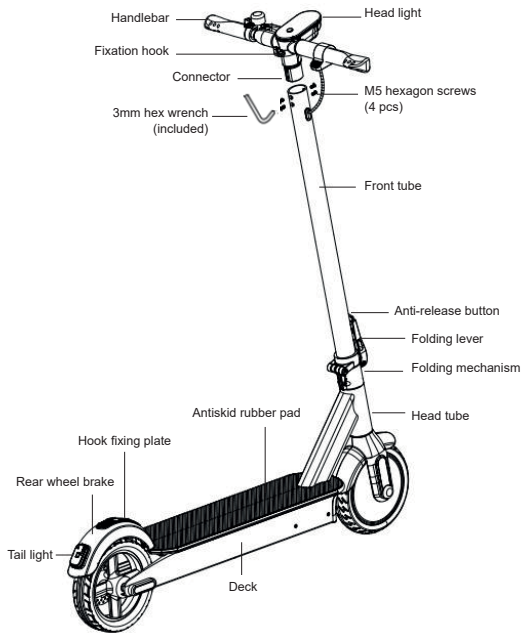
מדריך למשתמש

I. Inbox Content

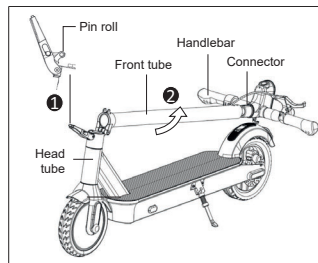
Scooter *1	
3 mm hex wrench *1	
Owner manual *1	
Battery charger *1	
M5*14L countersunk screw *4 PCS	

II. Parts

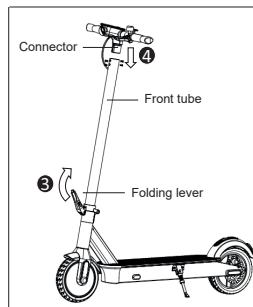




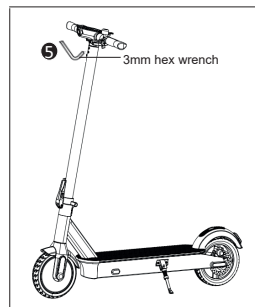
III. Assembling



- ❶ Open the folding lever fully to expose the pin roll.
- ❷ Lift up the front tube along with connector and handlebar, level with head tube.



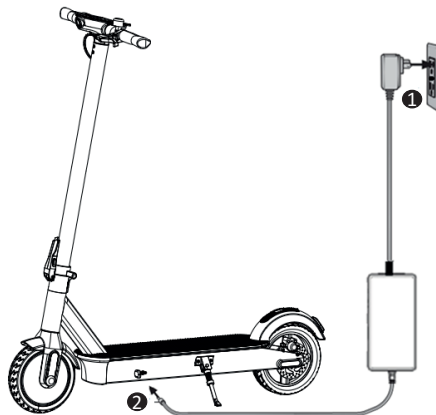
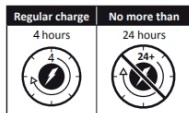
- ❸ Lock the folding lever.
- ❹ Insert the connector to the front tube.



- ❺ Tighten all the 4 hexagon screws on the front tube by the 3mm hex wrench included.

IV. Charge the Battery

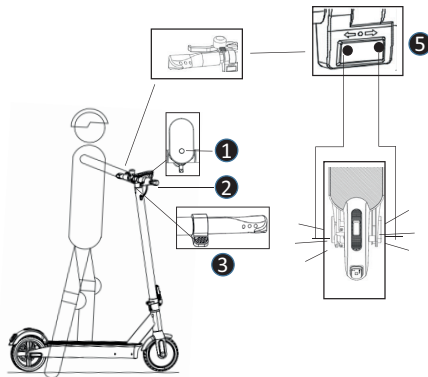
Note: The charger light is **red** when charging and turns **green** when charging is complete.



V. USE

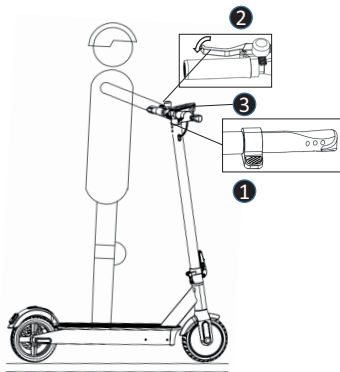
Starting the scooter

1. Press and hold the power button in for 3 seconds to turn the scooter on. Press power button shortly once for light on/off. Press power button continuously for twice to switch speed regulations. Press power button continuously for 3 times to switch between km/h & mp/h.
2. Grip handlebars firmly with both hands.
3. Step on deck with one foot, kick against the ground with the other foot to assist to speed up, and press the accelerator lever gently.
4. Step both feet on the deck after starting.
5. Turn signal (optional).



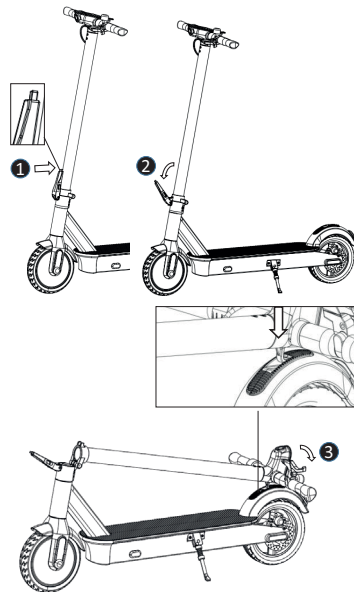
Stopping the scooter

1. Release the accelerator lever.
2. Brake by pressing down on the front hand brake lever.
3. Press the power button off when not in use.



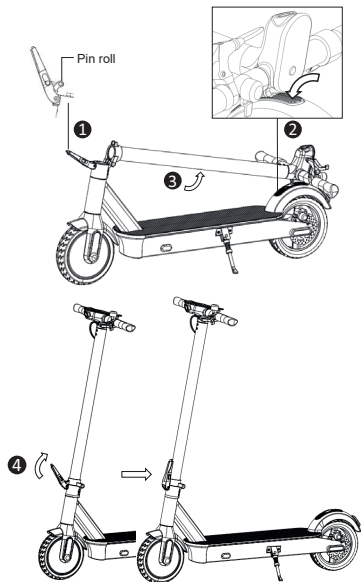
Folding the Scooter

1. Press down anti-release button.
2. Unlock folding lever.
3. Fold back the front tube and lock the fixation hook to the fixing plate on rear wheel brake.



Unfolding the Scooter

1. Open the folding lever fully to expose the pin roll.
2. Press down the hook fixing plate to have the fixation hook released.
3. Lift up the front tube.
4. Lock the folding lever.



VI. Troubleshooting Method

The Introduction and Arrangement of Fault Code

Fault Code	Introduction	Arrangement
0E	Low battery	Fully charge the battery
1E	Over charge the battery	Remove the charger. Please contact an authorized service center if the fault code is still not eliminated.
2E	Controller failure	Please contact an authorized service center.
3E	Over temperature on controller, start the protection program	Please do not use the scooter for the time being. Wait until the temperature drops and try again.
4E	Signal line may be loosen or dropped	Please contact an authorized service center.
5E	Loose connection between motor and controller	Please contact an authorized service center.
6E	Accelerator failure	Please contact an authorized service center.
7E	Brake system failure	Please contact an authorized service center.

The Introduction and Arrangement of Fault Code

8E	Over current, start the protection program	Stop the scooter and re-start later. Please contact an authorized service center if the fault code is still not eliminated.
9E	Motor Locked Rotor	Stop the scooter and re-start later. Please contact an authorized service center if the fault code is still not eliminated.

The battery does not charge

Arrangement method:

1. The plug is not properly inserted.
2. The charger is damaged, use a new charger.
3. The battery wiring is loose, re-connect the terminals.

Insufficient mileage after charging

Arrangement method:

1. Insufficient charging, fully charge the battery.
2. Uphill and heavy headwinds, heavy load, poor road surface and low temperature.
3. The terminal's connection between the battery and charge port is loose, re-connect the terminals.

Speed is too low

Arrangement method:

1. The battery voltage is too low, fully charge the battery.

The brake is not working

Arrangement method:

1. The brake cable is too long, re-tighten the brake cable.
2. If the brake pad is damaged, replace the original one.

Note: When a malfunction is detected, please contact an authorized service center. Do not repair or modify the scooter by yourself, as this can cause warranty limitations and injuries.

VII. RIDE AND SAFETY

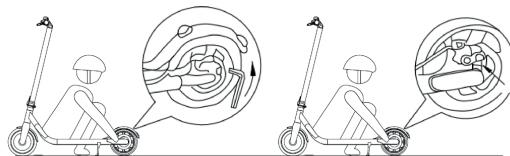
A learning process is necessary for the use of this device. A use of it without a correct learning process can cause injuries. Use protections to prevent damage. Once you complete these steps you can turn on the electric scooter:



BRAKE ADJUSTMENT

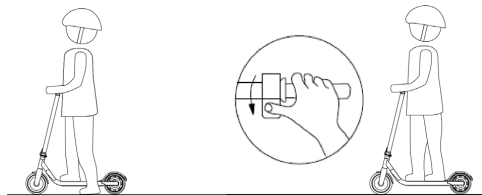
Before every ride check brakes. If you feel the brake is too tight, use the hex wrench counterclockwise to loosen the screws on the pressure plate on the disc brake seat, release the brake line to shorten slightly the exposed length and tighten the screws of the pressure plate. If you feel that the brake is too loose, release the screws on the pressure plate, drag the brake cable to slightly lengthen the length and then lock the screws on the pressure plate.

WARNING! When hard braking, you risk serious injury due to loss of traction and falls. Maintain a moderate speed and look out for potential hazards.



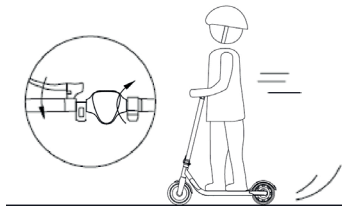
USE

Keep one foot on the board and one foot on the ground. Immerse yourself with your foot on the ground, when the speed reach to 3km/h start accelerating. Keep another foot on the board and accelerate appropriately or maintain a certain speed. This action is necessary to start the march, for your safety.

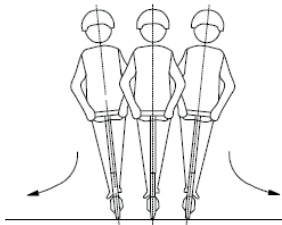


CONSTANT SPEED

If you keep the accelerator pressed, the speed will be fixed, for greater comfort of travel. To cancel this function please activate the brake.

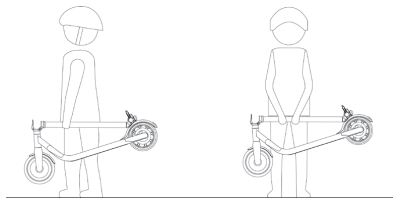


Look for the equilibrium posture to circulate constantly:



FOLDING AND TRANSPORTATION

Once folded hold the electric scooter by the bar to transport it as indicated in the figure:



Warnings: failure to follow these instructions could lead to serious injury.

- DO NOT ride the electric scooter in the rain.
- DO NOT get wet.
Watch your head when passing through doorways.
Keep your speed between 3.1–6.2 mph (5–10 km/h) when you ride through speed bumps, elevator door stills, bumpy roads or other uneven surfaces. Slightly bend your knee to better adjust mentioned surfaces.
- DO NOT keep your feet on the rear fender.
- DO NOT press the throttle when walking with the electric scooter.
Avoid contacting obstacles with the tire/wheel.
- DO NOT carry heavy objects on the handlebar.
- DO NOT ride the electric scooter with only one foot.
- DO NOT ride on public roads, motorways, or highways.
- DO NOT rotate the handle violently while driving at high speed.
- DO NOT ride up and down stairs or jump over obstacles.
- DO NOT take your hands off the handlebar while riding. Do not ride with one hand only.

- Do NOT ride through puddles or any other (water) obstacles. In such a case please lower your speed and bypass the obstacle.
- DO NOT carry any passengers. The electric scooter is for one rider only
- Do not carry a child.
- Do not ride when pregnant.
- DO NOT use mobile phone or wear earphones when operating the electric scooter.
- DO NOT touch the hub motor after riding because it can get hot.
- Always keep both hands on the handlebar or you risk serious injury due to loss of balance and falls.
- Only for use in dry weather.
- We do not recommend the use on public roads.
- Never turn violently when driving fast.
- Do not start or stop suddenly.
- Make sure the speed of the electric scooter is safe for you and others and be ready to stop at any time while it is running.
- When driving the electric scooter, please stay at a distance from others to avoid collisions.
- When you turn you must use the center of gravity of your body; the violent change in the center of gravity can cause damage.
- Routinely check the bearings for moisture and dirt. Dry and clean the bearings. If necessary, grease the bearings after cleaning. Only use suitable lubricants for this purpose. Also check the steering position to ensure this product is safe.
- No modifications other than to the manufacturer's instructions shall be made.
- When self-locking nuts and other self-locking fixings can lose their effectiveness.
- Avoid driving on steep slopes.

VIII. CLEANING AND MAINTENANCE

This electric scooter can be used as a means of transport and as such requires maintenance of all its components, which suffer wear and tear due to the use of the same and is not covered by the warranty.

CLEANING

Make sure the electric scooter is powered OFF, the charge cable is unplugged, and the rubber cap on the charge port is tightly sealed before cleaning; otherwise you may damage the electronic components. Always disconnect the product from the charger first, cover the charging waterproof plug, turn off the power of the product, and avoid fluid contact with the battery, motor and other electronic parts during cleaning to avoid unforeseen hazard. Do not use a high pressure water jet to clean the product or soak it in water.

To clean the electric scooter, use a damp cloth. If you need to scrape dirt, use a soft brush and then a damp cloth.

Be sure to cover the charging port to avoid problems with the electronic components.

Do not use alcohol, gasoline, kerosene or other volatile or corrosive chemical components. This can damage both the appearance and the internal structure of the electric scooter. Also, do not use a pressure water gun or running water.

CONSERVATION

Store the electric scooter in a cool, dry environment when not in use. Avoid leaving it outside, since it is not manufactured for use in wet areas, near corrosive agents such as seawater, ports, etc. It is also not recommended to expose it to high temperatures caused by direct sunlight for a long time.

IX. BATTERY HANDLING AND PROHIBITED ACTIONS

Do not use other models or brands of batteries, use only original battery.

Do not place the battery in an environment with high temperatures higher than 50°C or lower than -20°C (for example, do not place the electric scooter inside a car trunk in summer), and do not put the battery in places near the fire. Otherwise, it may cause battery failure, overheating and even the risk of fire.

Avoid completely discharging the batteries, it is better to charge them while there is still power in them. This will prolong the life of the battery. Also if you drive the electric scooter in very cold or warm areas, you can decrease the time of use of the batteries. It is not a failure of the batteries, but it is their normal behavior.

When not in use for more than 30 days, fully charge and store in a cool, dry place and fully charge the battery every 60 days. Failure to follow these steps could damage the battery, and this damage is not covered by the warranty.

It is forbidden to disassemble the battery compartment. Only its manipulation in Official Technical Services or adhered Workshops is allowed.

Use only the original charger to charge, otherwise there is a risk of damage or fire.

Inadequate disposal of used batteries can cause serious environmental contamination. Observe local regulations when disposing of this battery pack.

After each use, recharge the battery, this will lengthen the life of the battery.



Battery cell contains flammable and hazard substances. Mishandling can cause fire, smoke, explosion and severe personal injury or property loss. Always read and comply the following prohibited action, equip proper protective gear before perform any battery related operation.

Keep the battery away from infant and children to avoid any accidents. If younger children use the battery, their guardians should explain the proper handling method and precaution before using, and always ensure the integrity of the battery.

Use only dedicated charger and charge the battery only in the dedicated way. Don't charge the battery by an electric outlet directly or an automobile cigarette lighter charger. Don't charge battery unattended.

- Don't charge the battery reversely.
- Don't leave the battery near the fire or a heated source and don't throw the battery into fire.
- Don't charge or use the battery in a car or similar place where inside of temperature may be over 50°C.
- Don't immerse, throw, and wet the battery in water / seawater etc.
- Don't short circuit or connect (+) positive and (-) negative terminals with metallic object. Don't store the battery in a pocket or a bag together with metallic objects such as keys, necklaces, hairpins, coins, or screws.
- Don't pierce the battery with a sharp object such as a needle, screw drivers.
- Don't heat partial area of the battery with heated objects such as soldering iron.
- Don't hit with heavy objects such as a hammer, weight. Don't step on the battery and throw or drop the battery to avoid mechanical shock. Don't use seriously deformed battery.
- Don't disassemble the battery or modify the battery design including electric circuit.

- Don't solder on the battery directly and don't use or assemble old and new batteries together.
- Don't put the battery into a microwave oven, dryer, or high-pressure container.
- Don't use or assemble the battery with other makers' batteries, different types and/or models of batteries such as dry batteries, nickel-metal hydrogen batteries, or nickel-cadmium batteries.

Keep away from fire immediately when leakage or foul odors are detected. If liquid leaks onto your skin or clothes, wash well with fresh water immediately. If liquid leaking from the battery gets into your eyes, don't rub your eyes and wash them with clean water and go to see a doctor immediately. If the terminals of the battery become dirty, wipe with a dry cloth before using the battery.

Cover terminals with proper insulating tape before disposal.

Before using /installing /removing the battery or using the charger, always read the user's manual and comply the precaution of the handling.

Replace the battery when using time of battery becomes much shorter than usual.

If the battery is needed to be stored for a long period, battery should be removed from the application and stored in a place where humidity and temperature are low.

While the battery is charged, used and stored, keep it away from object materials with static electric.

Cannot use non-rechargeable battery as replacement.

The battery must be removed from the appliance before it is scrapped.

The appliance must be disconnected from the supply mains when removing the battery.

The battery is to be disposed of safely.

Do not use the battery in the case of static electricity generation (more than 100V), the battery protection circuit will be damaged.

Do not remove the battery. Removing the battery is complicated and can alter the operation of the machine. You must contact the authorized service center only to operate the battery.

Do not store or charge the battery at temperatures outside the stated limits (see in this manual). Do not puncture the battery. Refer to your local laws and regulations regarding battery recycling and/or disposal.

A well maintained battery can perform well even after many miles of riding. Charge the battery after each ride and avoid draining the battery completely.



WARNING!

Keep away from fire immediately when leakage or foul odors are detected. If liquid leaks onto your skin or clothes, wash well with fresh water immediately. If liquid leaking from the battery gets into your eyes, don't rub your eyes and wash them with clean water and go to see a doctor immediately. If the terminals of the battery become dirty, wipe with a dry cloth before using the battery.

Cover terminals with proper insulating tape before disposal.

Before using /installing/ removing the battery or using the charger, always read the user's manual and comply the precaution of the handling.

Replace the battery when using time of battery becomes much shorter than usual.

If the battery is needed to be stored for an long period, battery should be removed from the application and stored in a place where humidity and temperature are low.

While the battery is charged, used and stored, keep it away from object materials with static electric.

Cannot use non-rechargeable battery as replacement.

The battery must be removed from the appliance before it is scrapped.

The appliance must be disconnected from the supply mains when removing the battery.

The battery is to be disposed of safely.

Do not attempt to disassemble the battery. Do not touch battery contacts.
Do not dismantle or puncture the casing.

Keep the battery contacts away from metal objects to prevent short circuit.
Risk of fire and electric shock. Do not charge or use your battery if it is damaged or see trace of water.

In case of accident or breakdown: please contact an authorized repairer in your country.

User must contact an authorized or a specialized customer service.

X. Charging/ Discharge and store the battery



Warning: always comply following message.

Use only original charger, improper use can cause personal injury and property lost .The warranty does not bear any liability caused by the use of non-original charger.

Do not charge when near any fluid /fire source, always avoid flammable substance. Do not leave the device unattended while charging.

Don't charge if the charge port or charge cable is wet.

Don't charge or use your battery if it is damaged or see trace of water.

The charging interface is provided with special slot. Do not force the connector to be inserted, which can cause damage to the device.

The charger indicator is red when the battery is charging. The indicator is green, when charging completed.

Remove the charger when charger indicator is green. Overcharge or over discharge will cause irreversible damage to the battery or property loss. If the charger indicator turned green immediately while charging after riding, please disconnect the charger and allows the battery to cool down before recharge. This is the normal phenomenon of intelligent protection due to the high internal temperature of the battery. Charging can begin after the battery cools down.

Stop charging and disconnect the charger, if the battery is not fully charged after the following recommended period of time. Contact customer service for further information.

The charging port must be covered by attached rubber cap after each charging.

Always take extra care while handling the battery.

Stop using the battery if the battery becomes abnormally hot, or has odor, discoloration, deformation, or other abnormal condition is detected during use, charge, or storage.

The battery can be used within the following temperature ranges. Don't exceed these ranges.

Operating Temperature: -10-60°C (Battery performance vary by temperature)

Charging Temperature: 10-45°C

Storage & Transportation Temperature: -10-45°C

Storage Humidity: 10-80%

XI. Utilization information

Product Name	Acer Electric Scooter ES Series 5
Model	AES015
Dimensions, unfolded	118L x 49W x 125H (cm)
Dimensions, folded	118L x 49W x 55H (cm)
Weight incl. battery	18.5Kg
Motor	350W
Battery	15Ah
Battery type	lithium-ionic
Battery manufacturer	TIANHONG
Charging	42V/2.0A
Adaptor Manufacturer: FUYUANDIAN, Model No.: FY-4202000	
Full charging time	4 hours
Maximum speed	20 km/h or 25km/hr (Depends on countries regulation)
Maximum distance w/o charging	60Km
Speed regulation	yes
Speed modes	3
Speed modes level	0-6km/h; 0-10km/h; 0-20 or 25km/h (Depends on countries regulation)
Folding mechanism	Yes
Main material	aluminum alloy deck, steel front tube
Maximum load	up to 100 kg
Clearance	11cm
Height adjustable handlebar	no
Brakes	front electronic brake and rear disc brake
Display	LED display

Wheel absorber	Yes
Wheels	solid tire wheel
Tire material	ruber
Drive unit	Front wheel drive
Wheel diameter	10"
Waterproof	IPX4
Reflectors	yes
Headlight	yes
Application	no
Sound signal	yes
Backlight	yes
Bluetooth	yes
Climbing Ability	10°

XII. Others

1. Manufacturer date is mentioned on Product label

2.  Storage

Store this product in a dry, cool and safe place, avoid moisture and high temperatures. Humidity can cause electrical components damaged.

When the lithium battery fails, please contact your local recycling agency and dispose of the lithium battery in accordance with your national or local laws and regulations.

- Operating Temperature: -10-60°C
- Charging Temperature: 10-45°C
- Storage & Transportation Temperature: -10-45°C
- Storage Humidity: 10-80%

3. This product must not be disposed of with others household waste. Please recycle it to minimize environmental pollution in compliance with the local regulations or contact your local city office, household waste disposal service.

4. 1) Devices are not intended for use at elevations greater than 2000m above sea level.
- 2) Prolonged Exposure to UV Rays, Rain and the Elements May Damage the Enclosure Material, Store Indoors When Not in Use.
- 3) WARNING - Risk of Fire - No User Serviceable Parts.
 AVERTISSEMENT - Risque d'incendie et de choc électrique -
 Aucune des pièces ne peut être réparée par l'utilisateur.

EU Declaration of Conformity

We,

Acer Incorporated
8F, 88, Sec. 1, Xintai 5th Rd., Xizhi, New Taipei City 221, Taiwan

And,


Acer Italy s.r.l.
Viale delle Industrie 1/A, 20044 Arese (MI), Italy
Tel: +39-02-939-921, Fax: +39-02 9399-2913
www.acer.it

Product: Acer Electric Scooter ES Series 5
Trade Name: acer
Model Number: AES015
SKU Number: AES015 *****
(***)=0-9, a-z, A-Z, or Blank

We, Acer Incorporated, hereby declare under our sole responsibility that the product described above is in conformity with the relevant Union harmonization legislation: Machinery Directive 2006/42/EC and RoHS Directive 2011/65/EU. The following harmonized standards and/or other relevant standards have been applied:

<u>EN 17128:2020</u>	<u>EN 301 489-17 V3.2.4</u>
<u>EN 300 328 V2.2.2</u>	<u>EN 62479:2010</u>
<u>EN 301 489-1 V2.2.3</u>	<u>EN IEC 63000:2018</u>

Year to begin affixing CE marking: 2022.



RU Jan / Sr. Manager
Acer Incorporated (Taipei, Taiwan)

5/16/2022
Date



Federal Communications Commission Declaration of Conformity

This device complies with Part 15 of the FCC Rules. Operation is subject to the following two conditions: (1) this device may not cause harmful interference, and (2) this device must accept any interference received, including interference that may cause undesired operation.

The following local Manufacturer /Importer is responsible for this declaration:

Product:	Acer Electric Scooter Series 5
Model Number:	AES015
Name of Responsible Party:	Acer America Corporation
Address of Responsible Party:	333 West San Carlos St. Suite 1500 San Jose, CA 95110 U. S. A.
Contact Person:	Acer Representative
Phone No.:	254-298-4000
Fax No.:	254-298-4147



UK Declaration of Conformity

We,

Acer Incorporated
8F, 88, Sec. 1, Xintai 5th Rd., Xizhi, New Taipei City 221

And,

Acer UK Ltd
Heathrow Boulevard III 282 Bath Road West Drayton Greater London UB7 0DQ

Product: Acer Electric Scooter ES Series 5
Trade Name: acer
Model Number: AES015
SKU Number: AES015 xxxxxxxx
(*x* = 0-9, a-z, A-Z, or blank)

We, Acer Incorporated, hereby declare under our sole responsibility that the product described above is in conformity with the relevant Union harmonization legislation:

- Machinery (Safety) Regulations 2008
- Radio Equipment Regulations 2017
- Electromagnetic Compatibility Regulations 2016
- The Restriction of the Use of Certain Hazardous Substances in Electrical and Electronic Equipment Regulations 2012.

The following harmonized standards and/or other relevant standards have been applied:

EN 17128:2020
EN 300 328 V2.2.2
EN 301 489-1 V2.2.3
EN 301 489-17 V3.2.4
EN 62479:2010
EN IEC 63000:2018

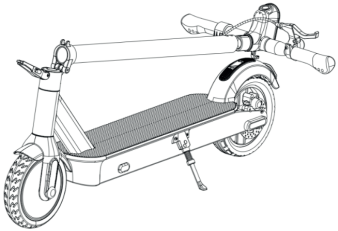




Signed for and on behalf of:



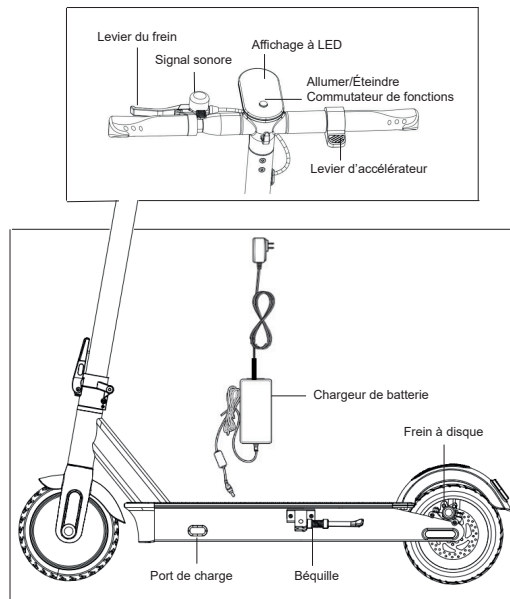
RU Jan / Sr. Manager
Acer Incorporated (New Taipei City)

Dec. 28, 2022
Date

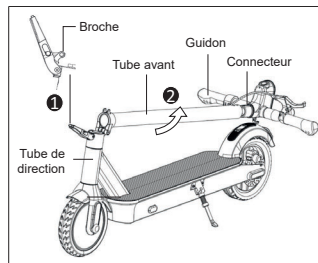
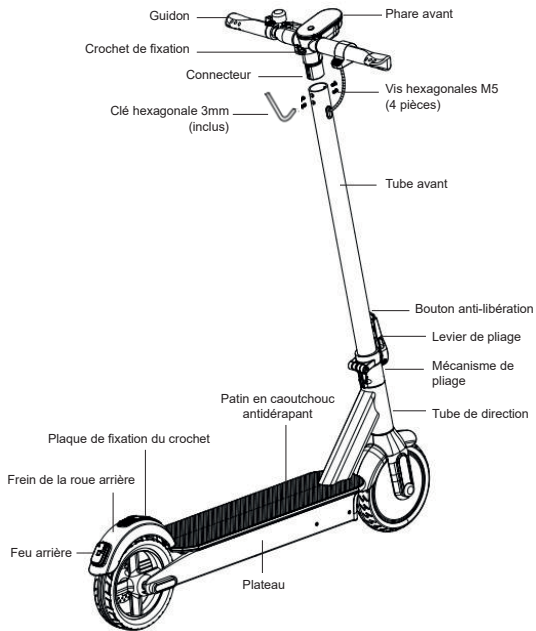
I. Contenu de l'emballage

Trottinette x1	
Clé hexagonale 3 mm x1	
Manuel d'utilisation x1	
Chargeur de batterie x1	
Vis à tête fraisée M5 x14L x4	

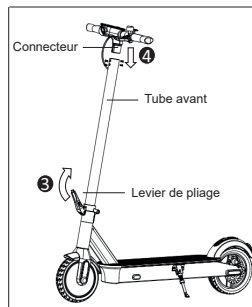
II. Composants



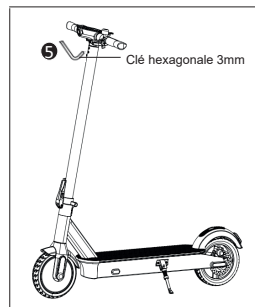
III. Assembler



- 1 Ouvrez complètement le levier de pliage pour exposer la broche.
- 2 Soulevez le tube avant avec le connecteur et le guidon, au niveau du tube de direction.



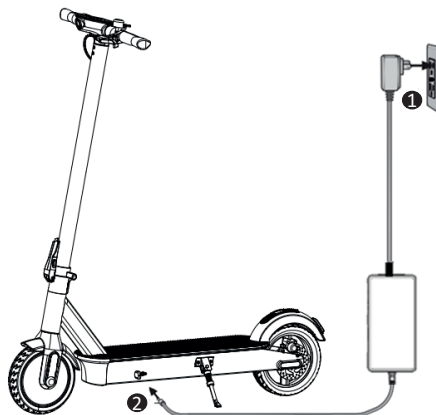
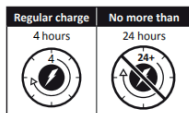
- 3 Verrouillez le levier de pliage.
- 4 Insérez le connecteur dans le tube avant.



- 5 Serrez les 4 vis hexagonales du tube avant à l'aide de la clé hexagonale 3mm fournie.

IV. Charger la batterie

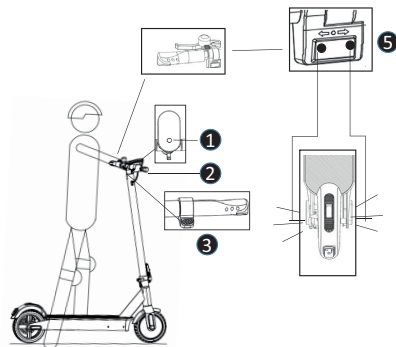
Remarque : Le voyant du chargeur est **rouge** pendant la charge et devient **vert** lorsque la charge est terminée.



V. UTILISATION

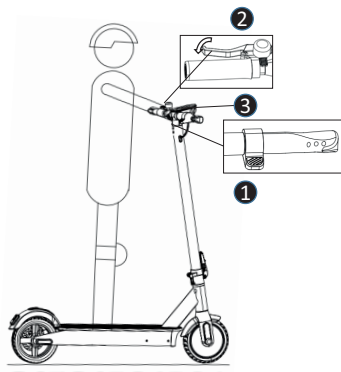
Démarrer la trottinette

1. Appuyez et maintenez le bouton d'alimentation pendant 3 secondes pour allumer la trottinette.
Appuyez brièvement le bouton d'alimentation une fois pour allumer/éteindre la lumière.
Appuyez le bouton d'alimentation deux fois de suite pour changer de vitesse.
Appuyez le bouton d'alimentation 3 fois de suite pour passer de km/h à m/h.
2. Saisissez fermement le guidon avec les deux mains.
3. Montez sur le plateau avec un pied, frappez le sol avec l'autre pied pour aider à accélérer, et appuyez doucement le levier d'accélérateur.
4. Posez les deux pieds sur le plateau après avoir démarré.
5. Turn signal (optional).



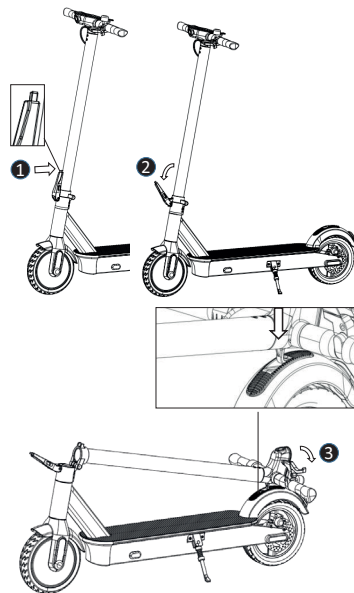
Arrêter la trottinette

1. Relâchez le levier d'accélérateur.
2. Freinez en appuyant sur le levier du frein à main avant.
3. Appuyez le bouton d'alimentation pour l'éteindre lorsque vous ne l'utilisez pas.



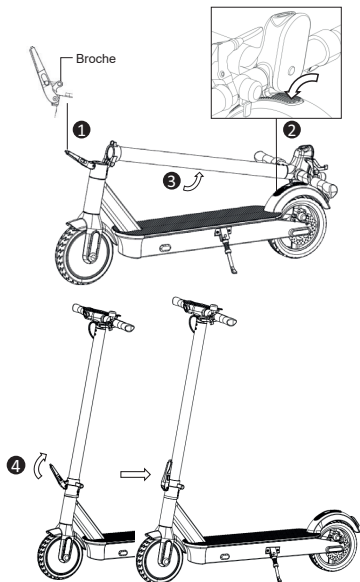
Plier la trottinette

1. Appuyez sur le bouton anti-libération.
2. Déverrouillez le levier de pliage.
3. Rabattez le tube avant et verrouillez le crochet de fixation sur la plaque de fixation sur le frein de la roue arrière.



Déplier la trottinette

1. Ouvrez complètement le levier de pliage pour exposer la broche.
2. Appuyez sur la plaque de fixation du crochet pour libérer le crochet de fixation.
3. Soulevez le tube avant.
4. Verrouillez le levier de pliage.



VI. Méthode de dépannage

Introduction et solution des codes d'erreur

Code d'erreur	Introduction	Solution
0E	Batterie faible	Chargez complètement la batterie
1E	Surcharge de la batterie	Retirez le chargeur. Veuillez contacter un centre de service agréé si le code d'erreur n'est toujours pas éliminé.
2E	Défaillance du contrôleur	Veuillez contacter un centre de service agréé.
3E	Surchauffe du contrôleur, lancement du programme de protection	Veuillez ne pas utiliser la trottinette pour le moment. Attendez que la température baisse et réessayez.
4E	La ligne de signalisation peut être desserrée ou tombée	Veuillez contacter un centre de service agréé.
5E	Connexion lâche entre le moteur et le contrôleur	Veuillez contacter un centre de service agréé.
6E	Défaillance de l'accélérateur	Veuillez contacter un centre de service agréé.
7E	Défaillance du système de freinage	Veuillez contacter un centre de service agréé.

Introduction et solution des codes d'erreur		
8E	Surchauffe, lancement du programme de protection	Arrêtez la trottinette et redémarrez-la plus tard. Veuillez contacter un centre de service agréé si le code d'erreur n'est toujours pas éliminé.
9E	Rotor bloqué du moteur	Arrêtez la trottinette et redémarrez-la plus tard. Veuillez contacter un centre de service agréé si le code d'erreur n'est toujours pas éliminé.

La batterie ne se charge pas

Solution :

1. La prise n'est pas correctement insérée.
2. Le chargeur est endommagé, utilisez un nouveau chargeur.
3. Le câble de la batterie est desserré, rebranchez les prises.

Kilométrage insuffisant après la charge

Solution :

1. Charge insuffisante, chargez complètement la batterie.
2. Montée et forts vents de face, charge lourde, mauvais revêtement de la route et basse température.
3. Les prises connectées entre la batterie et le port de charge sont desserrées, reconnectez les prises.

La vitesse est trop lente

Solution :

1. La tension de la batterie est trop faible, chargez complètement la batterie.

Le frein ne fonctionne pas

Solution :

1. Le câble de frein est trop long, resserrez le câble de frein.
2. Si la plaquette de frein est endommagée, remplacez la plaquette d'origine.

Remarque : En cas de dysfonctionnement, veuillez contacter un centre de service agréé. Ne réparez pas ou ne modifiez pas la trottinette par vous-même, cela peut entraîner des limitations de garantie et des blessures.

VII. CONDUITE ET SÉCURITÉ

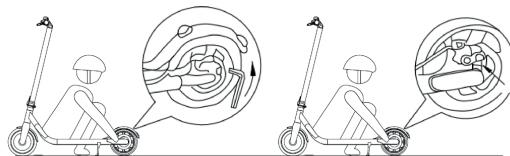
Un processus d'apprentissage est nécessaire pour l'utilisation de cet appareil. Une utilisation sans un processus d'apprentissage correct peut provoquer des blessures. Utilisez des protections pour éviter tout dommage. Une fois que vous avez terminé ces étapes, vous pouvez allumer la trottinette électrique :



RÉGLAGE DU FREIN

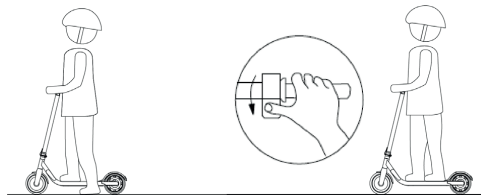
Avant chaque trajet, vérifiez les freins. Si vous sentez que le frein est trop serré, utilisez la clé hexagonale dans le sens antihoraire pour desserrer les vis de la plaque de pression sur le logement du frein à disque, relâchez le câble du frein pour raccourcir légèrement la longueur exposée et serrez les vis de la plaque de pression. Si vous estimez que le frein est trop lâche, desserrez les vis de la plaque de pression, faites glisser le câble de frein pour en augmenter légèrement la longueur, puis bloquez les vis de la plaque de pression.

AVERTISSEMENT ! En cas de freinage brusque, vous risquez de vous blesser gravement en raison de la perte d'adhérence et de chute. Maintenez une vitesse modérée et soyez attentifs aux dangers potentiels.



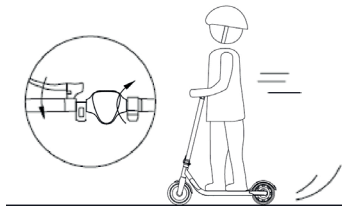
UTILISATION

Gardez un pied sur le plateau et un pied sur le sol. Commencez avec votre pied sur le sol, quand la vitesse atteint 3km/h commencez à accélérer. Posez l'autre pied sur le plateau et accélérez de manière appropriée ou maintenez une certaine vitesse. Cette action est nécessaire pour commencer le trajet, pour votre sécurité.

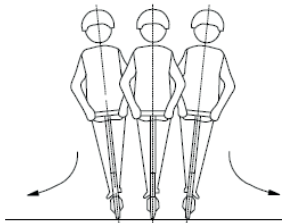


VITESSE CONSTANTE

Si vous maintenez l'accélérateur appuyé, la vitesse sera fixe, pour un plus grand confort de déplacement. Pour annuler cette fonction, veuillez activer le frein.

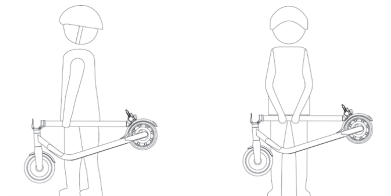


Recherchez la posture d'équilibre pour circuler de manière constante :



PLIER ET TRANSPORTER

Une fois plié, tenez la trottinette électrique par la barre pour la transporter comme indiqué sur la figure :



⚠ Avertissements : le non-respect de ces instructions peut entraîner des blessures graves.

- NE conduisez PAS la trottinette électrique sous la pluie.
- NE vous mouillez PAS.
Faites attention à votre tête lorsque vous passez une porte. Maintenez votre vitesse entre 5 et 10 km/h (3,1 et 6,2 m/h) lorsque vous traversez des ralentisseurs, des arrêts de porte d'ascenseur, des routes cahoteuses ou d'autres surfaces irrégulières. Fléchissez légèrement le genou pour mieux vous adapter aux surfaces mentionnées.
- NE gardez PAS vos pieds sur le garde-boue arrière.
- N'appuyez PAS sur l'accélérateur lorsque vous marchez avec la trottinette électrique.
Évitez de heurter des obstacles avec le pneu/la roue.
- NE transportez PAS d'objets lourds sur le guidon.
- NE conduisez PAS la trottinette électrique avec seulement un pied.
- NE roulez PAS sur les routes publiques, les autoroutes ou les voies rapides.

- NE faites PAS tourner le guidon violemment lorsque vous conduisez à grande vitesse.
- NE montez PAS et ne descendez PAS les escaliers et ne sautez PAS par-dessus les obstacles.
- NE retirez PAS vos mains du guidon pendant la conduite. NE roulez PAS avec une seule main.
- NE traversez PAS les flaques d'eau ou tout autre obstacle (eau). Dans ce cas, veuillez réduire votre vitesse et contourner l'obstacle.
- NE transportez PAS de passagers. La trottinette électrique est destinée à une seule personne.
- NE transportez PAS d'enfant.
- NE conduisez PAS si vous êtes enceinte.
- N'utilisez PAS de téléphone portable et NE portez PAS d'écouteurs lorsque vous utilisez la trottinette électrique.
- NE touchez PAS le moteur du moyeu après avoir roulé car il peut devenir chaud.
- Gardez toujours les deux mains sur le guidon, sinon vous risquez de graves blessures dues à une perte d'équilibre et à des chutes.
- À utiliser uniquement par temps sec.
- Nous ne recommandons pas l'utilisation sur les routes publiques.
- Ne tournez jamais violemment lorsque vous conduisez rapidement.
- Ne démarrez pas ou n'arrêtez pas brusquement.
- Assurez-vous que la vitesse de la trottinette électrique est sans danger pour vous et les autres et soyez prêt à vous arrêter à tout moment lorsqu'elle est en marche.
- Lorsque vous conduisez la trottinette électrique, veuillez rester à une certaine distance des autres pour éviter les collisions.
- Quand vous tournez, vous devez utiliser le centre de gravité de votre corps ; le changement violent du centre de gravité peut causer des dommages.
- Vérifiez régulièrement l'absence d'humidité et de saleté dans les roulements. Séchez et nettoyez les roulements. Si nécessaire, graissez les roulements après le nettoyage. N'utilisez que des lubrifiants appropriés à cet effet. Vérifiez également la position de la direction pour vous assurer que ce produit est sûr.
- Aucune modification autre que celle prévue par les instructions du fabricant ne doit être apportée.
- Quand les écrous et autres fixations autobloquantes peuvent perdre leur efficacité.
- Évitez de conduire sur des pentes raides.

VIII. NETTOYAGE ET ENTRETIEN

Cette trottinette électrique peut être utilisée comme un moyen de transport et, en tant que telle, elle nécessite un entretien de tous ses composants, qui subissent une usure due à son utilisation et n'est pas couverte par la garantie.

NETTOYAGE

Assurez-vous que la trottinette électrique est éteinte, que le câble de charge est débranché et que le bouchon en caoutchouc du port de charge est bien fermé avant de la nettoyer, sinon vous risquez d'endommager les composants électroniques. Commencez toujours par débrancher le produit du chargeur, couvrez la prise étanche de chargement, éteignez le produit et évitez tout contact fluide avec la batterie, le moteur et les autres pièces électroniques pendant le nettoyage pour éviter tout risque imprévu. N'utilisez pas de jet d'eau à haute pression pour nettoyer le produit et ne le trempez pas dans l'eau.

Pour nettoyer la trottinette électrique, utilisez un chiffon humide. Si vous devez éliminer la saleté, utilisez une brosse douce, puis un chiffon humide.

Veillez à couvrir le port de charge pour éviter tout problème avec les composants électroniques.

N'utilisez pas d'alcool, d'essence, de kérosène ou d'autres composants chimiques volatils ou corrosifs. Cela peut endommager l'apparence et la structure interne de la trottinette électrique. N'utilisez pas non plus de pistolet à eau sous pression ou d'eau courante.

CONSERVATION

Rangez la trottinette électrique dans un endroit frais et sec lorsque vous ne l'utilisez pas. Évitez de la laisser à l'extérieur, car elle n'est pas fabriquée pour être utilisée dans des zones humides, à proximité d'agents corrosifs tels que l'eau de mer, les ports, etc. Il n'est pas non plus recommandé de l'exposer à des températures élevées dues à la lumière directe du soleil pendant une longue période.

IX. MANIPULATION DE LA BATTERIE ET ACTIONS INTERDITES

N'utilisez pas de batteries d'autres modèles ou marques, utilisez uniquement des batteries d'origine.

Ne placez pas la batterie dans un environnement où la température est supérieure à 50°C ou inférieure à -20°C (par exemple, ne placez pas la trottinette électrique dans le coffre d'une voiture en été), et ne placez pas la batterie dans des endroits proches du feu. Sinon, cela peut entraîner une défaillance de la batterie, une surchauffe et même un risque d'incendie.

Évitez de décharger complètement les batteries, il est préférable de les charger tant qu'elles sont encore chargées. Cela permettra de prolonger la durée de vie de la batterie. De même, si vous conduisez la trottinette électrique dans des régions très froides ou très chaudes, vous pouvez réduire la durée d'utilisation des batteries. Ce n'est pas une défaillance des batteries, mais c'est leur comportement normal.

Lorsque vous ne l'utilisez pas pendant plus de 30 jours, chargez-la complètement et rangez-la dans un endroit frais et sec. Rechargez complètement la batterie tous les 60 jours. Si vous ne suivez pas ces étapes, vous risquez d'endommager la batterie, et ces dommages ne sont pas couverts par la garantie.

Il est interdit de démonter le compartiment de la batterie. Seule sa manipulation dans les services techniques officiels ou les ateliers agréés est autorisée.

Utilisez uniquement le chargeur d'origine pour la charge, sinon il y a un risque de dommage ou d'incendie.

Une élimination inadéquate des batteries usagées peut entraîner une grave contamination de l'environnement. Respectez la réglementation locale pour mettre au rebut cette batterie.

Après chaque utilisation, rechargez la batterie, cela prolongera la durée de vie de la batterie.

 **DANGER !**

La cellule de la batterie contient des substances inflammables et dangereuses. Une mauvaise manipulation peut provoquer un incendie, de la fumée, une explosion et des blessures graves ou des pertes matérielles. Lisez et respectez toujours les actions interdites suivantes, équipez-vous d'un équipement de protection approprié avant d'effectuer toute opération liée à la batterie.

Gardez la batterie hors de portée des enfants pour éviter tout accident. Si de jeunes enfants utilisent la batterie, leurs parents doivent leur expliquer la méthode de manipulation appropriée et les précautions à prendre avant l'utilisation, et toujours veiller à l'intégrité de la batterie.

Utilisez uniquement un chargeur dédié et chargez la batterie uniquement de la manière prévue. Ne chargez pas la batterie par une prise électrique directe ou par un chargeur d'allume-cigare de voiture. Ne chargez pas la batterie sans surveillance.

- Ne chargez pas la batterie en sens inverse.
- Ne laissez pas la batterie près d'un feu ou d'une source de chaleur et ne la jetez pas dans le feu.
- Ne chargez pas ou n'utilisez pas la batterie dans une voiture ou un endroit similaire où la température intérieure peut dépasser 50°C.
- Ne plongez pas, ne jetez pas et ne mouillez pas la batterie dans l'eau, l'eau de mer, etc.
- Ne court-circuitez pas ou ne connectez pas les bornes positives (+) et négatives (-) avec un objet métallique. Ne rangez pas la batterie dans une poche ou un sac avec des objets métalliques tels que des clés, des colliers, des épingles à cheveux, des pièces de monnaie ou des vis.
- Ne percez pas la batterie avec un objet pointu tel qu'une aiguille, un tournevis.

- Ne chauffez pas une partie de la batterie avec des objets chauffants tels qu'un fer à souder.
- Ne frappez pas avec des objets lourds comme un marteau, un poids. Ne marchez pas sur la batterie et ne la jetez pas ou ne la laissez pas tomber pour éviter tout choc mécanique. N'utilisez pas une batterie sérieusement déformée.
- Ne démontez pas la batterie et ne modifiez pas sa conception, y compris son circuit électrique.
- Ne soudez pas directement sur la batterie et n'utilisez pas ou n'assemblez pas des batteries anciennes et nouvelles ensemble.
- Ne mettez pas la batterie dans un four à micro-ondes, un sèche-linge ou un récipient à haute pression.
- N'utilisez pas ou n'assemblez pas la batterie avec des batteries d'autres fabricants, des types et/ou modèles de batteries différents tels que des batteries sèches, des batteries nickel-métal-hydrogène ou des batteries nickel-cadmium.

Éloignez immédiatement du feu en cas de détection de fuites ou d'odeurs nauséabondes. Si le liquide s'écoule sur votre peau ou vos vêtements, lavez-vous immédiatement à l'eau fraîche. Si le liquide qui s'écoule de la batterie entre en contact avec vos yeux, ne les frottez pas, lavez-les à l'eau claire et allez immédiatement consulter un médecin. Si les bornes de la batterie sont sales, essuyez-les avec un chiffon sec avant d'utiliser la batterie.

Recouvrez les bornes avec un ruban isolant approprié avant de les éliminer.

Avant d'utiliser / installer / retirer la batterie ou d'utiliser le chargeur, lisez toujours le manuel d'utilisation et respectez les précautions de manipulation.

Remplacez la batterie lorsque sa durée d'utilisation est beaucoup plus courte que d'habitude.

Si la batterie doit être stockée pendant une longue période, elle doit être retirée de l'appareil et stockée dans un endroit où l'humidité et la température sont faibles.

Pendant la charge, l'utilisation et le stockage de la batterie, tenez-la à l'écart des objets contenant de l'électricité statique.

Il n'est pas possible d'utiliser une batterie non rechargeable en remplacement.

La batterie doit être retirée de l'appareil avant sa mise au rebut.

L'appareil doit être déconnecté du réseau électrique lors du retrait de la batterie.

La batterie doit être mise au rebut en toute sécurité.

N'utilisez pas la batterie en cas de génération d'électricité statique (plus de 100V), le circuit de protection de la batterie sera endommagé.

Ne retirez pas la batterie. Le retrait de la batterie est compliqué et peut altérer le fonctionnement de la machine. Vous devez contacter le centre de service autorisé uniquement pour faire fonctionner la batterie.

Ne stockez pas et ne chargez pas la batterie à des températures hors des limites indiquées (voir dans ce manuel). Ne percez pas la batterie. Consultez les lois et règlements locaux concernant le recyclage et/ou la mise au rebut des batteries.

Une batterie bien entretenue peut fonctionner correctement même après de nombreux kilomètres de conduite. Rechargez la batterie après chaque trajet et évitez de la vider complètement.



AVERTISSEMENT !

Éloignez immédiatement du feu en cas de détection de fuites ou d'odeurs nauséabondes. Si le liquide s'écoule sur votre peau ou vos vêtements, lavez-vous immédiatement à l'eau fraîche. Si le liquide qui s'écoule de la batterie entre en contact avec vos yeux, ne les frottez pas, lavez-les à l'eau claire et allez immédiatement consulter un médecin. Si les bornes de la batterie sont sales, essuyez-les avec un chiffon sec avant d'utiliser la batterie.

Recouvrez les bornes avec un ruban isolant approprié avant de les éliminer.

Avant d'utiliser / installer / retirer la batterie ou d'utiliser le chargeur, lisez toujours le manuel d'utilisation et respectez les précautions de manipulation.

Remplacez la batterie lorsque sa durée d'utilisation est beaucoup plus courte que d'habitude.

Si la batterie doit être stockée pendant une longue période, elle doit être retirée de l'appareil et stockée dans un endroit où l'humidité et la température sont faibles.

Pendant la charge, l'utilisation et le stockage de la batterie, tenez-la à l'écart des objets contenant de l'électricité statique.

Il n'est pas possible d'utiliser une batterie non rechargeable en remplacement.

La batterie doit être retirée de l'appareil avant sa mise au rebut.

L'appareil doit être déconnecté du réseau électrique lors du retrait de la batterie.

La batterie doit être mise au rebut en toute sécurité.

N'essayez pas de démonter la batterie. Ne pas toucher les contacts de la batterie. Ne démontez pas et ne percez pas le boîtier.

Maintenez les contacts de la batterie à l'écart des objets métalliques pour éviter tout court-circuit. Risque d'incendie et de choc électrique. Ne chargez pas et n'utilisez pas votre batterie si elle est endommagée ou si elle présente des traces d'eau.

En cas d'accident ou de panne : veuillez contacter un réparateur agréé dans votre pays.

L'utilisateur doit contacter un service client agréé ou spécialisé.

X. Charger/décharger et stocker la batterie

Avertissement : respectez toujours le message suivant.

Utilisez uniquement un chargeur d'origine, une utilisation incorrecte peut entraîner des blessures corporelles et la perte de biens. La garantie ne prend pas en charge la responsabilité causée par l'utilisation d'un chargeur non original.

Ne pas recharger à proximité d'un fluide ou d'une source de feu, toujours éviter les substances inflammables. Ne laissez pas l'appareil sans surveillance pendant la charge.

Ne chargez pas si le port de charge ou le câble de charge est mouillé.

Ne chargez pas et n'utilisez pas votre batterie si elle est endommagée ou si elle présente des traces d'eau.

L'interface de chargement est dotée d'un logement spécial. Ne forcez pas pour insérer le connecteur, ce qui pourrait endommager l'appareil.

Le voyant du chargeur est rouge lorsque la batterie est en cours de charge. Le voyant est vert, lorsque la charge est terminée.

Retirez le chargeur lorsque le voyant du chargeur est vert. Une surcharge ou une décharge excessive entraînera des dommages irréversibles à la batterie ou des pertes matérielles. Si le voyant du chargeur est devenu vert immédiatement pendant la charge après le trajet, veuillez débrancher le chargeur et laisser la batterie refroidir avant de la recharger. C'est le phénomène normal de la protection intelligente due à la température interne élevée de la batterie. La charge peut commencer après le refroidissement de la batterie.

Arrêtez la charge et débranchez le chargeur, si la batterie n'est pas complètement chargée après la période recommandée suivante.

Contactez le service clientèle pour plus d'informations.

Le port de charge doit être couvert par le capuchon en caoutchouc attaché après chaque charge.

Faites toujours très attention lorsque vous manipulez la batterie.

Arrêtez d'utiliser la batterie si elle devient anormalement chaude, ou si une odeur, une décoloration, une déformation ou toute autre condition anormale est détectée pendant l'utilisation, la charge ou le stockage.

La batterie peut être utilisée dans les plages de température suivantes. Ne dépassez pas ces plages.

Température de fonctionnement : -10 à 60°C (les performances de la batterie varient selon la température)

Température de charge : 10 à 45°C

Température de stockage et de transport : -10 à 45°C

Humidité de stockage : 10-80%

XI. Informations d'utilisation

Nom de produit	Trottinette électrique Acer ES série 5
Modèle	AES015
Dimensions, dépliée	118Lo x 49La x 125H (cm)
Dimensions, pliée	118Lo x 49La x 55H (cm)
Poids avec batterie	18,5 kg
Moteur	350W
Batterie	15Ah
Type de batterie	Lithium-ion
Fabricant de la batterie	TIANHONG
Charge	42V/2,0A
Fabricant de l'adaptateur : FUYUANDIAN, N de modèle : FY-4202000	
Temps de charge complète	4 heures
Vitesse maximale	20 km/h ou 25km/h (selon la réglementation du pays)
Distance maximale sans charge	60 km
Régulation de la vitesse	Oui
Modes de vitesse	3
Niveau des modes de vitesse	0 à 6 km/h ; 0 à 10 km/h ; 0 à 20 ou 25 km/h (selon la réglementation du pays)
Mécanisme de pliage	Oui
Matière principale	Plateau en alliage d'aluminium, tube avant en acier
Charge maximale	Jusqu'à 100 kg
Dégagement	11 cm
Guidon réglable en hauteur	Non
Freins	Frein électronique avant et frein à disque arrière

Affichage	Affichage à LED
Amortisseur de roue	Oui
Roues	Roue à pneu plein
Matériau du pneu	Caoutchouc
Unité de conduite	Traction avant
Diamètre de la roue	10"
Étanchéité	IPX4
Réflecteurs	Oui
Phare avant	Oui
Application	Non
Signal sonore	Oui
Rétroéclairage	Oui
Bluetooth	Oui
Capacité à monter	10°

XII. Autres

1. La date du fabricant est mentionnée sur l'étiquette du produit

2.  Stockage

Conservez ce produit dans un endroit sec, frais et sûr, évitez l'humidité et les températures élevées. L'humidité peut endommager les composants électriques. En cas de défaillance de la batterie au lithium, veuillez contacter votre agence de recyclage locale et mettre la batterie au lithium au rebut conformément aux lois et réglementations nationales ou locales.

- Température de fonctionnement : -10 à 60°C
- Température de charge : 10 à 45°C
- Température de stockage et de transport : -10 à 45°C
- Humidité de stockage : 10-80%

3. Ce produit ne doit pas être jeté avec les autres déchets ménagers. Veuillez le recycler afin de minimiser la pollution de l'environnement, conformément aux réglementations locales ou contactez votre bureau municipal local, le service d'élimination des déchets ménagers.

4. 1) Les appareils ne sont pas destinés à être utilisés à des altitudes supérieures à 2000 m au-dessus du niveau de la mer.

2) Une exposition prolongée aux rayons UV, à la pluie et aux intempéries peut endommager le matériel du boîtier. Rangez à l'intérieur quand vous ne l'utilisez pas.

3) AVERTISSEMENT - Risque d'incendie et de choc électrique - Aucune des pièces ne peut être réparée par l'utilisateur.

acer

Acer Incorporated
8F, 88, Sec. 1, Xintai 5th Rd., Xizhi
New Taipei City 221, Taiwan

Déclaration de conformité de l'UE

Nous,

Acer Incorporated.

8F, 88, Sec. 1, Xintai 5th Rd., Xizhi, New Taipei City 221, Taiwan

Et,

Acer Italy s.r.l.

Viale delle Industrie 1/A, 20044 Arese (MI), Italie

Tél: +39-02-939-921, Fax : +39-02 9399-2913

www.acer.it

Produit : Trottinette électrique Acer ES série 5
Nom commercial : acer
Numéro de modèle : AES015
Numéro UGS : AES015 *****
(« * »= 0-9, a - z, A - Z ou vide)

Nous, Acer Incorporated, déclarons sous notre seule responsabilité que le produit décrit ci-dessus est en conformité avec les législations d'harmonisation de l'Union pertinentes : Directive relative aux machines 2006/42/CE et directive RoHS 2011/65/UE. Les normes harmonisées suivantes et/ou autres normes pertinentes ont été appliquées :

EN 17128:2020

EN 301 489-17 V3.2.4

EN 300 328 V2.2.2

EN 62479:2010

EN 301 489-1 V2.2.3

EN IEC 63000:2018

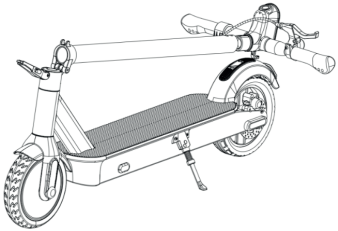


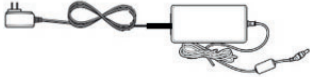

Année début d'apposition du marquage CE : 2022.



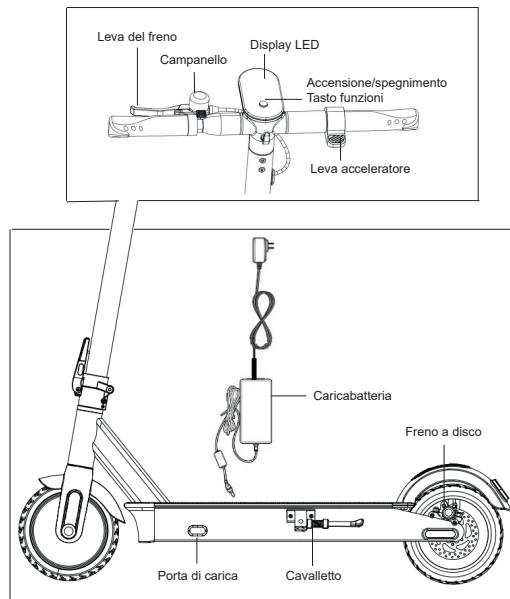
RU Jan / Sr. Manager
Acer Incorporated (Taipei, Taiwan)

5/16/2022
Date

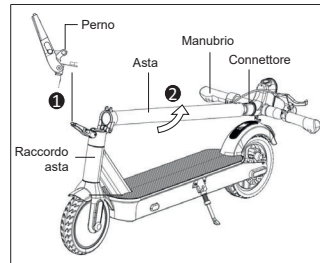
I. Contenuto della confezione

1 monopattino	
1 chiave esagonale da 3 mm	
1 Manuale utente	
1 caricabatteria	
4 viti svasate M5*14L	

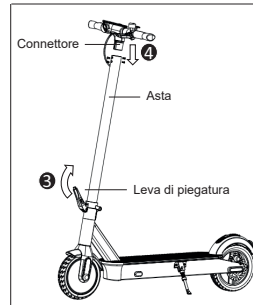
II. Parti



III. Montaggio



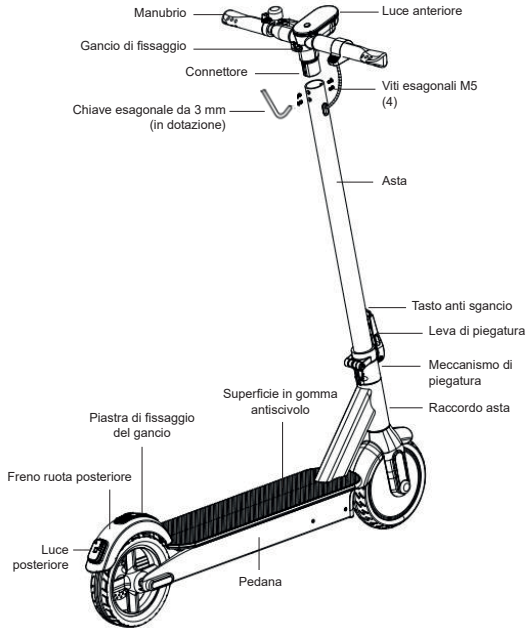
- 1 Aprire completamente la leva di piegatura per esporre il perno.
- 2 Sollevare l'asta insieme al connettore e al manubrio fino a essere a livello con il raccordo dell'asta.



- 3 Bloccare la leva di piegatura.
- 4 Inserire il connettore nell'asta.

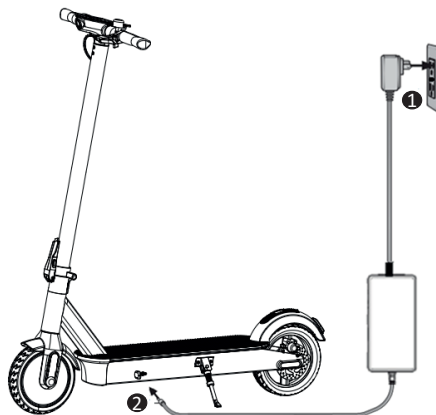
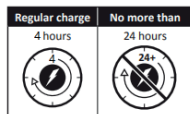


- 5 Stringere tutte e 4 le viti esagonali sull'asta utilizzando la chiave esagonale da 3 mm in dotazione.



IV. Carica della batteria

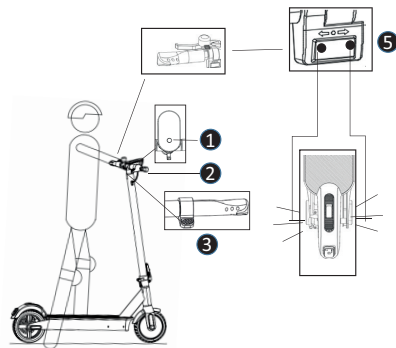
Nota: la luce del caricatore è **rossa** durante la carica e diventa **verde** una volta completata la carica.



V. USO

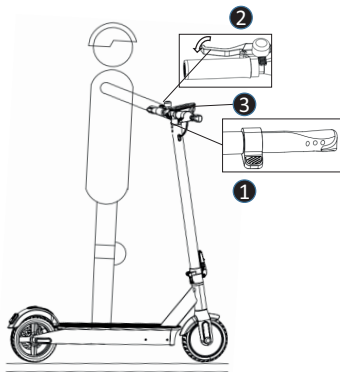
Avvio del monopattino

1. Tenere premuto il tasto di accensione per 3 secondi per accendere il monopattino.
Premere una volta il tasto di accensione per accendere/spengere le luci.
Premere due volte il tasto di accensione per passare alla regolazione della velocità.
Premere tre volte il tasto di accensione per passare a km/h o mp/h.
2. Afferrare saldamente i manubri con entrambe le mani.
3. Salire sulla pedana con un piede, con l'altro piede spingere contro il suolo per prendere velocità, quindi premere delicatamente la leva dell'acceleratore.
4. Una volta fermati, mettere tutti e due i piedi sulla pedana.
5. Turn signal (optional).



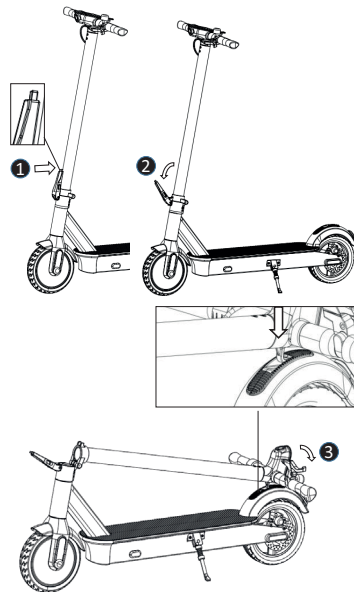
Arresto del monopattino

1. Rilasciare la leva dell'acceleratore.
2. Frenare premendo la leva del freno anteriore.
3. Premere il tasto di accensione per spegnere quando non utilizzato.



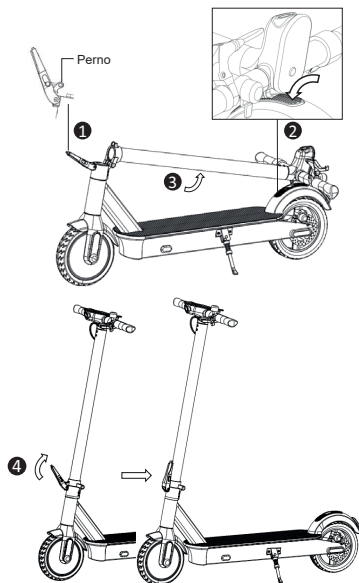
Piegatura del monopattino

1. Premere il tasto anti sgancio.
2. Sbloccare la leva di piegatura.
3. Piegare l'asta e bloccare il gancio di fissaggio alla piastra di fissaggio sul freno della ruota posteriore.



Apertura del monopattino

1. Aprire completamente la leva di piegatura per esporre il perno.
2. Premere la piastra di fissaggio del gancio per sganciare il gancio di fissaggio.
3. Sollevare l'asta.
4. Bloccare la leva di piegatura.



VI. Metodi per la risoluzione dei problemi

Introduzione e soluzione per i codici di guasto

Codice di guasto	Introduzione	Soluzione
0E	Batteria scarica	Caricare completamente la batteria
1E	Batteria sovraccarica	Rimuovere il caricatore. Contattare un centro assistenza autorizzato se il codice di guasto non viene eliminato.
2E	Guasto del controller	Contattare un centro di assistenza autorizzato.
3E	Temperatura eccessiva del controller, avviare il programma di protezione	Non usare il monopattino. Attendere che la temperatura scenda e riprovare.
4E	Linea del segnale lenta o interrotta	Contattare un centro di assistenza autorizzato.
5E	Collegamento lento tra motore e controller	Contattare un centro di assistenza autorizzato.
6E	Guasto acceleratore	Contattare un centro di assistenza autorizzato.
7E	Guasto del sistema frenante	Contattare un centro di assistenza autorizzato.

Introduzione e soluzione per i codici di guasto		
8E	Sovraccorrente, avviare il programma di protezione	Arrestare il monopattino e riavviarlo in seguito. Contattare un centro assistenza autorizzato se il codice di guasto non viene eliminato.
9E	Rotore motore bloccato	Arrestare il monopattino e riavviarlo in seguito. Contattare un centro assistenza autorizzato se il codice di guasto non viene eliminato.

La batteria non si carica

Soluzione:

1. La spina non è inserita correttamente.
2. Il caricatore è danneggiato, usare un nuovo caricatore.
3. Il cablaggio della batteria è lento, ricollegare i terminali.

Chilometraggio insufficiente dopo la ricarica

Soluzione:

1. Carica insufficiente, caricare completamente la batteria.
2. In salita e forti venti contrari, carichi pesanti, fondo stradale scadente e basse temperature.
3. Il collegamento dei terminali tra la batteria e la porta di ricarica è lento, ricollegare i terminali.

Velocità troppo bassa

Soluzione:

1. La tensione della batteria è molto bassa, caricare completamente la batteria.

Il freno non funziona

Soluzione:

1. Il cavo del freno è troppo lungo, stringere nuovamente il cavo del freno.
2. Se la pastiglia del freno è danneggiata, sostituirla con una originale.

Nota: quando viene rilevato un malfunzionamento, contattare un centro assistenza autorizzato. Non riparare o modificare da soli il monopattino, ciò può causare limitazioni nella garanzia e lesioni.

VII. GUIDA E SICUREZZA

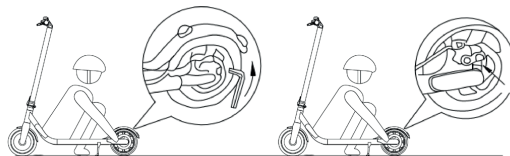
Per poter usare il dispositivo è necessario seguire il processo di apprendimento. L'uso senza aver seguito il processo di apprendimento può causare lesioni. Usare le protezioni per evitare danni. Una volta completati questi passaggi è possibile accendere il monopattino elettrico:



REGOLAZIONE DEL FRENO

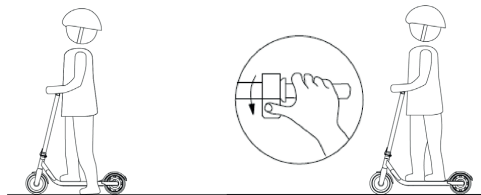
Prima di partire controllare i freni. Se si ritiene che il freno sia troppo teso, usare la chiave esagonale in senso antiorario per allentare le viti sullo spingidisco sulla sede del freno a disco, rilasciare il cavo del freno per accorciare leggermente la lunghezza esposta e stringere le viti dello spingidisco. Se si ritiene che il freno sia troppo lento, allentare le viti sullo spingidisco, tirare il cavo del freno per allungarlo leggermente, quindi stringere le viti sullo spingidisco.

AVVERTENZA! In caso di frenate brusche, possono verificarsi lesioni gravi dovute alla trazione e alle cadute. Mantenere una velocità moderata e stare attenti a potenziali pericoli.



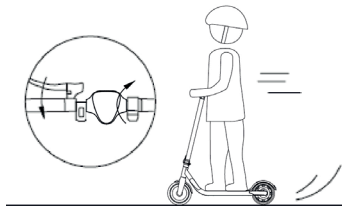
USO

Tenere un piede sulla pedana e l'altro piede a terra. Spingere con il piede sul terreno e, una volta la velocità di 3 km/h, iniziare ad accelerare. Tenere l'altro piede sulla pedana e accelerare come necessario o mantenere una certa velocità. Questa azione è necessaria per iniziare la marcia e per garantire la propria sicurezza.

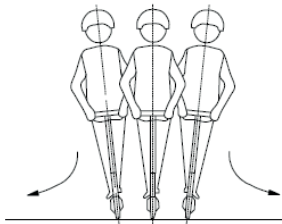


VELOCITÀ COSTANTE

Tenendo premuto l'acceleratore verrà fissata la velocità per maggiore comfort durante il viaggio. Per annullare questa funzione usare il freno.

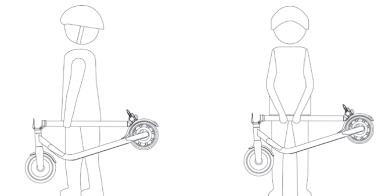


Cercare di mantenere sempre una postura che garantisca l'equilibrio:



PIEGATURA E TRASPORTO

Una volta ripiegato il monopattino elettrico, utilizzare la barra per trasportarlo come indicato nella figura:



Avvertenze: la mancata osservanza di queste istruzioni può causare lesioni gravi.

- NON usare il monopattino elettrico sotto la pioggia.
- NON bagnarlo.
Fare attenzione alla testa quando si passa sotto delle aperture. Tenere una velocità tra 3,1–6,2 mph (5–10 km/h) quando si guida sui dossi, porte di ascensori, strade sconnesse o superfici non regolari. Piegarle leggermente le ginocchia quando si affrontano queste superfici.
- NON tenere i piedi sul parafrangente posteriore.
- NON premere l'acceleratore quando si cammina con il monopattino elettrico.
Evitare il contatto del pneumatico/ruota con gli ostacoli.
- NON trasportare oggetti pesanti sul manubrio.
- NON guidare il monopattino elettrico con un solo piede.
- NON guidare sui strade pubbliche, autostrade o strade statali.
- NON ruotare bruscamente il manubrio durante la guida ad alta velocità.
- NON salire e scendere le scale o saltare gli ostacoli.
- NON togliere le mani dal manubrio durante la guida. Non guidare con una sola mano.

- NON guidare tra le pozzanghere o altri ostacoli (acqua). In questi casi, ridurre la velocità e oltrepassare l'ostacolo.
- NON portare passeggeri. Il monopattino elettrico è per una sola persona.
- Non trasportare i bambini.
- Non guidare se incinta.
- NON usare il cellulare o indossare gli auricolari durante l'uso del monopattino elettrico.
- NON toccare il motore dopo l'uso perché può essere caldo.
- Tenere sempre entrambe le mani sul manubrio per evitare lesioni serie dovute alla perdita di equilibrio e cadute.
- Usare solo con tempo bello.
- Si consiglia di non utilizzare su strade pubbliche.
- Non svoltare improvvisamente durante la guida veloce.
- Non partire o fermarsi all'improvviso.
- Assicurarsi che la velocità del monopattino elettrico sia sicura per voi e le altre persone e di essere pronti a frenare in qualsiasi momento durante la guida.
- Durante la guida del monopattino elettrico, tenere una distanza adeguata dagli altri per evitare collisioni.
- Nelle svolte, usare il centro di gravità del proprio corpo, cambiamenti bruschi del centro di gravità possono causare danni.
- Controllare regolarmente i cuscinetti per la presenza di umidità e sporco. Asciugare e pulire i cuscinetti. Se necessario, aggiungere grasso ai cuscinetti dopo la pulizia. Utilizzare solo lubrificanti adatti allo scopo. Controllare inoltre la posizione dello sterzo per garantire la sicurezza del prodotto.
- Non apportare modifiche se diverse da quelle indicate dal costruttore.
- Quando i dadi autobloccanti e altri fissaggi autobloccanti possono perdere la loro efficacia.
- Evitare di guidare su pendii ripidi.

VIII. PULIZIA E MANUTENZIONE

Il monopattino elettrico può essere utilizzato come mezzo di trasporto e pertanto richiede la manutenzione di tutti i suoi componenti che possono usurarsi a causa dell'uso e che non sono coperti da garanzia.

PULIZIA

Assicurarsi che lo monopattino elettrico sia spento, il cavo di ricarica sia scollegato e che il cappuccio in gomma della porta di ricarica sia inserito correttamente prima della pulizia, altrimenti potrebbero verificarsi danni ai componenti elettrici. Scollegare sempre il prodotto dal caricatore, coprire la spina impermeabile di ricarica, spegnere l'alimentazione del prodotto ed evitare che fluidi vengano a contatto con batteria, motore e altri componenti elettronici durante la pulizia per evitare pericoli imprevisi Non usare un getto di acqua ad alta pressione per pulire il prodotto o immergerlo in acqua.

Per pulire il monopattino elettrico, usare un panno umido. Per rimuovere lo sporco, usare un pennello soffice e un panno umido.

Assicurarsi di coprire la porta di ricarica per evitare problemi con i componenti elettronici.

Non usare alcol, benzina, cherosene o altri componenti chimici volatili o corrosivi. Possono danneggiare sia l'aspetto che la struttura interna del monopattino elettrico. Inoltre, non usare una pistola ad acqua a pressione o acqua corrente.

CONSERVAZIONE

Riporre il monopattino elettrico in un ambiente asciutto e fresco quando non utilizzato. Evitare di lasciarlo all'aperto, poiché non costruito per l'uso in aree bagnate, vicino agenti corrosivi come acqua marina, porte, ecc. Si consiglia inoltre di non esporlo ad alte temperatura causate dalla luce diretta del sole per lunghi periodi di tempo.

IX. GESTIONE DELLA BATTERIA E AZIONI VIETATE

Non usare altri modelli o marchi di batterie, usare solo la batteria originale.

Non collocare la batteria in un ambiente con temperatura superiore a 50°C o inferiore a -20°C (ad esempio, non lasciare il monopattino elettrico nel bagagliaio dell'auto in estate), e non lasciare la batteria in luoghi vicini al fuoco. Può verificarsi un guasto della batteria, surriscaldamento e anche incendi.

Evitare di scaricare completamente le batterie, è meglio caricarle anche se è ancora presente della carica. Ciò prolunga la vita della batteria. Inoltre, la guida del monopattino elettrico in aree molto calde o molto fredde può ridurre il tempo di utilizzo delle batterie. Non è un guasto delle batterie, ma un comportamento normale.

Quando non utilizzato per oltre 30 giorni, caricare completamente e riporre in un luogo asciutto e fresco e caricare completamente la batteria ogni 60 giorni. La mancata osservanza di queste procedure può causare danni alla batteria che non sono coperti dalla garanzia.

Non smontare l'alloggiamento della batteria. L'operazione deve essere eseguita solo dall'assistenza tecnica ufficiale o da officine specializzate.

Usare solamente il caricatore originale per la ricarica, altrimenti potrebbero verificarsi danni o incendi.

Lo smaltimento non adeguato delle batterie usate può causare una grave contaminazione ambientale. Seguire le norme locali per lo smaltimento del pacco batteria.

Dopo ciascun utilizzo, ricaricare la batteria per allungarne la vita.



Le celle della batteria contengono sostanze infiammabili e pericolose. L'errata gestione può causare incendi, fumo, esplosioni e gravi lesioni personali o perdita della proprietà. Leggere sempre e rispettare le seguenti azioni vietate, indossare strumenti protettivi adeguati prima di svolgere qualsiasi operazione con la batteria.

Tenere la batteria lontana da neonati e bambini per evitare incidenti. Se i bambini più piccoli usano la batteria, i loro tutori devono spiegare come maneggiarla e le precauzioni corrette prima dell'uso e garantire sempre l'integrità della batteria.

Usare solamente il caricatore dedicato e ricaricare la batteria solamente nel modo previsto. Non caricare la batteria direttamente dalla presa elettrica o dall'accendisigari dell'automobile. Non lasciare incustodita la batteria quando in carica.

- Non caricare la batteria al contrario.
- Non lasciare la batteria accanto a fuoco o fonte di calore e non lanciare la batteria nel fuoco.
- Non caricare o usare la batteria in auto o luoghi simili dove la temperatura interna può superare i 50°C.
- Non immergere, gettare e bagnare la batteria con acqua/acqua marina, ecc.
- Non cortocircuitare o collegare il terminali positivo (+) e negativo (-) con oggetti metallici. Non riporre la batteria in tasca o in una borsa insieme a oggetti metallici come chiavi, braccialetti, fermagli, monete o viti.
- Non forare la batteria con un oggetto appuntito come un ago o un cacciavite.
- Non scaldare parte della batteria con oggetti caldi come una pistola saldatrice.
- Non colpire con oggetti pesanti come un martello o un peso. Non camminare sopra la batteria o lanciare o far cadere la batteria per evitare urti meccanici. Non usare una batteria molto deformata.

- Non smontare la batteria o modificare il design della batteria, incluso il circuito elettrico.
- Non saldare direttamente sulla batteria e non usare o montare insieme batterie nuove e usate.
- Non mettere la batteria in un forno a microonde, asciugatrice o contenitore ad alta pressione.
- Non usare o montare la batteria insieme a batterie di altri produttori, diversi tipi e/o modelli di batterie come le batterie a secco, batterie al nichel idrogeno o batterie al nichel cadmio.

Tenere lontano dal fuoco in caso di perdite o cattivo odore. In caso di contatto del liquido con pelle o indumenti, lavare immediatamente con acqua pulita. In caso di contatto del liquido fuoriuscito con gli occhi, non sfregare gli occhi e lavarli con acqua pulita, quindi contattare immediatamente un medico. Se i terminali della batteria si sporcano, pulire con un panno asciutto prima di usare la batteria.

Coprire i terminali con del nastro isolante prima dello smaltimento.

Prima di utilizzare/installare/rimuovere la batteria o usare il caricatore, leggere sempre il manuale utente e rispettare le precauzioni per la gestione.

Sostituire la batteria quando la sua durata diventa più breve del solito.

Nel caso sia necessario riporre la batteria per un lungo periodo di tempo, rimuoverla dall'applicazione e riporla in un luogo con umidità e temperature basse.

Mentre la batteria è carica, utilizzata e conservata, tenerla lontana da oggetti con elettricità statica.

Non è possibile usare una batteria non ricaricabile come ricambio.

La batteria deve essere rimossa dall'apparecchiatura prima di essere rottamata.

Durante la rimozione della batteria l'apparecchio deve essere scollegato dalla rete elettrica.

La batteria deve essere smaltita in modo sicuro.

Non usare la batteria in caso di generazione di elettricità statica (oltre 100V) per non danneggiare il circuito di protezione della batteria.

Non rimuovere la batteria. La rimozione della batteria è complessa e può alterare il funzionamento della macchina. Per le operazioni con la batteria è necessario contattare un centro di assistenza autorizzato.

Non riporre o caricare la batteria a temperature oltre i limiti dichiarati (consultare il manuale). Non forare la batteria. Consultare le leggi e norme locali in materia di riciclo e/o smaltimento della batteria.

Una batteria ben conservata può funzionare bene anche dopo molti chilometri di guida. Caricare la batteria dopo ciascun utilizzo ed evitare di scaricarla completamente.



AVVERTENZA!

Tenere lontano dal fuoco in caso di perdite o cattivo odore. In caso di contatto del liquido con pelle o indumenti, lavare immediatamente con acqua pulita. In caso di contatto del liquido fuoriuscito con gli occhi, non sfregare gli occhi e lavarli con acqua pulita, quindi contattare immediatamente un medico. Se i terminali della batteria si sporcano, pulire con un panno asciutto prima di usare la batteria.

Coprire i terminali con del nastro isolante prima dello smaltimento.

Prima di utilizzare/installare/rimuovere la batteria o usare il caricatore, leggere sempre il manuale utente e rispettare le precauzioni per la gestione.

Sostituire la batteria quando la sua durata diventa più breve del solito.

Nel caso sia necessario riporre la batteria per un lungo periodo di tempo, rimuoverla dall'applicazione e riporla in un luogo con umidità e temperature basse.

Mentre la batteria è carica, utilizzata e conservata, tenerla lontana da oggetti con elettricità statica.

Non è possibile usare una batteria non ricaricabile come ricambio.

La batteria deve essere rimossa dall'apparecchiatura prima di essere rottamata.

Durante la rimozione della batteria l'apparecchio deve essere scollegato dalla rete elettrica.

La batteria deve essere smaltita in modo sicuro.

Non tentare di smontare la batteria. Non toccare i contatti della batteria. Non smontare o forare l'involucro.

Tenere i contatti della batteria lontani da oggetti metallici per evitare cortocircuiti. Rischio di incendi e folgorazioni. Non caricare o usare la batteria se danneggiata o in presenza tracce di acqua.

In caso di incidente o rottura: contattare un tecnico autorizzato per la riparazione nel proprio Paese.

Contattare un centro assistenza clienti autorizzato o specializzato.

X. Carica/scarica e stoccaggio della batteria



Avvertenza! attenersi sempre ai seguenti messaggi.

Usare solo il caricatore originale, l'uso non corretto può causare lesioni personali o perdita di proprietà. La garanzia non copre qualsiasi responsabilità causata dall'uso di caricatori non originali.

Non caricare quando vicino a fluidi/fuoco, evitare sempre le sostanze infiammabili. Non lasciare il dispositivo incustodito durante la ricarica.

Non caricare se la porta di ricarica o il cavo di ricarica è bagnato.

Non caricare o usare la batteria se danneggiata o in presenza tracce di acqua.

L'interfaccia di ricarica presenta un'apertura speciale. Non forzare l'inserimento del connettore poiché si potrebbe danneggiare il dispositivo.

L'indicatore del caricatore è rosso quando la batteria è in ricarica.

L'indicatore è verde una volta completata la ricarica.

Rimuovere il caricatore una volta che l'indicatore diventa verde. Il sovraccarico o la scarica eccessiva possono causare danni irreversibili alla batteria o perdita di proprietà. Se l'indicatore del caricatore diventa subito verde durante la carica dopo una corsa, scollegare il caricatore e lasciare raffreddare la batteria prima di ricaricarla. È un fenomeno normale della protezione intelligente dovuta alla temperatura interna della batteria troppo alta. È possibile ricaricare la batteria una volta raffreddata.

Smettere di ricaricare e scollegare il caricatore, se la batteria non è completamente carica trascorso questo periodo di tempo consigliato. Contattare l'assistenza clienti per ulteriori informazioni.

La porta di ricarica deve essere coperta con il cappuccio in gomma dopo ogni ricarica.

Maneggiare sempre la batteria con attenzione.

Smettere di usare la batteria se diventa calda in modo anomalo o presenta odore, scolorimento, deformazione o altre condizioni anomale durante l'uso, la carica o lo stoccaggio.

La batteria può essere utilizzata entro i seguenti intervalli di temperatura. Non superare questi intervalli.

Temperatura operativa: -10-60°C (le prestazioni della batteria variano in base alla temperatura)

Temperatura di carica: 10-45°C

Temperatura di stoccaggio e trasporto: -10-45°C

Umidità di stoccaggio: 10-80%

XI. Informazioni sull'utilizzo

Nome prodotto	Monopattino elettrico Acer ES serie 5
Modello	AES015
Dimensioni, non ripiegato	118L x 49L x 125A (cm)
Dimensioni, piegato	118L x 49L x 55A (cm)
Peso inclusa la batteria	18,5Kg
Motore	350W
Batteria	15Ah
Tipo di batteria	ioni di litio
Produttore batteria	TIANHONG
Carica	42V/2,0A
Produttore adattatore: FUYUANDIAN, N. modello: FY-4202000	
Tempo per carica completa	4 ore
Velocità massima	20 km/h o 25km/hr (In base alle norme del Paese)
Distanza massima senza carica	60Km
Regolazione della velocità	sì
Modalità velocità	3
Livello modalità velocità	0-6km/h; 0-10km/h; 0-20 o 25km/h (In base alle norme del Paese)
Meccanismo di piegatura	sì
Materiale principale	pedana in lega di alluminio, asta in acciaio
Carico massimo	fino a 100 kg
Distanza	11cm
Manubrio regolabile in altezza	no
Freni	freno elettronico anteriore e freno a disco posteriore

Visualizzazione	Display LED
Ammortizzatore ruota	sì
Ruote	ruota a pneumatico pieno
Materiale pneumatico	gomma
Trasmissione	Trazione anteriore
Diametro ruota	10"
Impermeabilità	IPX4
Riflettori	sì
Faro	sì
Applicazione	no
Campanello	sì
Retroilluminazione	sì
Bluetooth	sì
Idoneità in salita	10°

XII. Altro

1. La data di costruzione si trova nell'etichetta del prodotto

2.  Stoccaggio

Riporre il prodotto in un luogo asciutto, fresco e sicuro per evitare umidità e temperature elevate. L'umidità può causare danni ai componenti elettrici. In caso di guasto della batteria al litio, contattare l'ente locale per il riciclo e smaltire la batteria al litio in base alle norme e leggi nazionali o locali.

- Temperatura operativa: -10-60°C
- Temperatura di carica: 10-45°C
- Temperatura di stoccaggio e trasporto: -10-45°C
- Umidità di stoccaggio: 10-80%

3. Il prodotto non deve essere smaltito insieme ai rifiuti domestici. Riciclarlo per ridurre al minimo l'inquinamento ambientale secondo quanto previsto dalle norme locali o contattare l'ufficio di zona competente o il servizio di smaltimento dei rifiuti domestici.

4. 1) I dispositivi non sono destinati all'uso ad altitudini superiori a 2.000m sopra il livello del mare.
- 2) L'esposizione prolungata ai raggi UV, pioggia e all'ambiente può causare danni al materiale dell'alloggiamento, conservare al chiuso quando non in uso.
- 3) AVVISO - Rischio di incendi - Nessun componente è riparabile dall'utente.



Acer Incorporated
8F, 88, Sec. 1, Xintai 5th Rd., Xizhi
New Taipei City 221, Taiwan

Dichiarazione di conformità UE

Noi,

Acer Incorporated
8F, 88, Sec. 1, Xintai 5th Rd., Xizhi, New Taipei City 221, Taiwan

E,

Acer Italy s.r.l.
Viale delle Industrie 1/A, 20044 Arese (MI), Italy
Tel: +39-02-939-921, Fax: +39-02 9399-2913
www.acer.it

Prodotto: Monopattino elettrico Acer ES serie 5
Marchio depositato: acer
Numero del modello: AES015
Numero SKU: AES015 *****
(***=0-9, a-z, A-Z, o vuoto)

Noi, Acer Incorporated, con la presente dichiariamo sotto la nostra responsabilità che il prodotto descritto in precedenza è conforme con legge di armonizzazione dell'Unione Europea pertinente: Direttiva macchine 2006/42/CE e Direttiva RoHS 2011/65/UE. Saranno applicati i seguenti standard armonizzati e/o standard pertinenti:

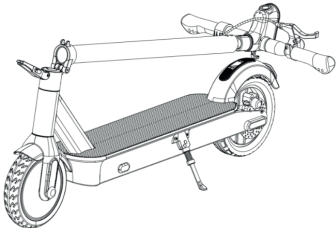




<u>EN 17128:2020</u>	<u>EN 301 489-17 V3.2.4</u>
<u>EN 300 328 V2.2.2</u>	<u>EN 62479:2010</u>
<u>EN 301 489-1 V2.2.3</u>	<u>EN IEC 63000:2018</u>

L'anno di inizio applicato è marchiato CE: 2022.

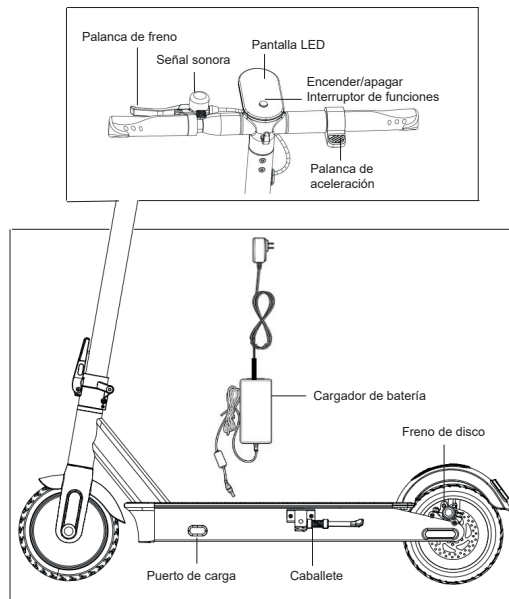
RU Jan / Responsabile senior
Acer Incorporated (Taipei, Taiwan)

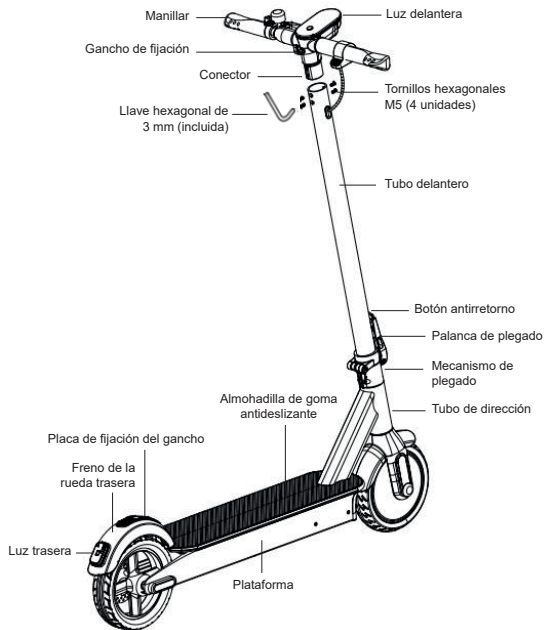
5/16/2022
Data

I. Contenido de la caja

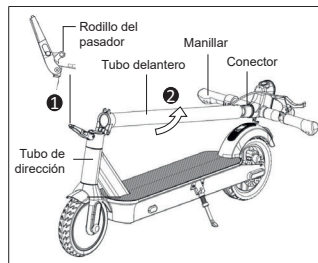
Patinete *1	
Llave hexagonal de 3 mm *1	
Manual de usuario *1	
Cargador de batería *1	
Tornillo avellanado M5*14 L *4 unidades	

II. Partes

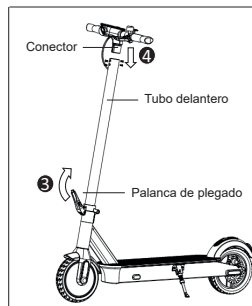




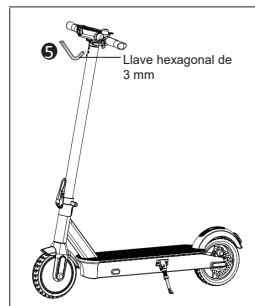
III. Montaje



- 1 Abra la palanca de plegado en su totalidad para exponer el rodillo del pasador.
- 2 Levante el tubo delantero junto con el conector y el manillar hasta la altura del tubo de dirección.



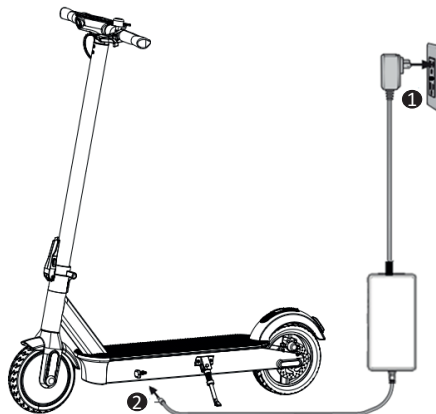
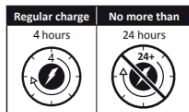
- 3 Bloquee la palanca de plegado.
- 4 Inserte el conector en el tubo delantero.



- 5 Apriete los 4 tornillos hexagonales del tubo delantero con la llave hexagonal de 3 mm incluida.

IV. Carga de la batería

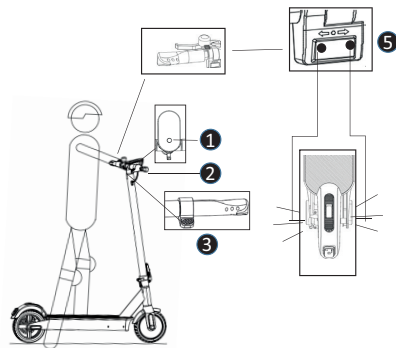
Nota: La luz del cargador se ilumina en color **rojo** cuando se está cargando y en **verde** cuando la batería del patinete está totalmente cargada.



V. USO

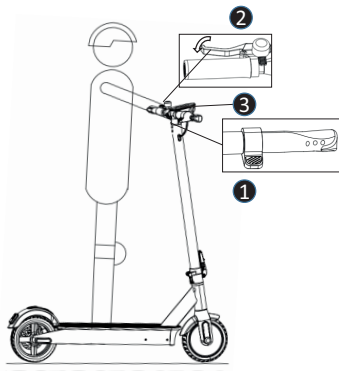
Encender el patinete

1. Pulse el botón de encendido durante 3 segundos para encender el patinete.
Pulse el botón de encendido una vez para encender o apagar la luz.
Pulse el botón de encendido dos veces para cambiar la velocidad.
Pulse el botón de encendido tres veces para cambiar entre km/h y mp/h.
2. Agarre firmemente el manillar con ambas manos.
3. Suba a la base del patinete con un pie, con el otro pie en el suelo empuje el patinete para acelerar y presione suavemente la palanca del acelerador.
4. Suba a la base del patinete con los dos pies después de encenderlo.
5. Turn signal (optional).



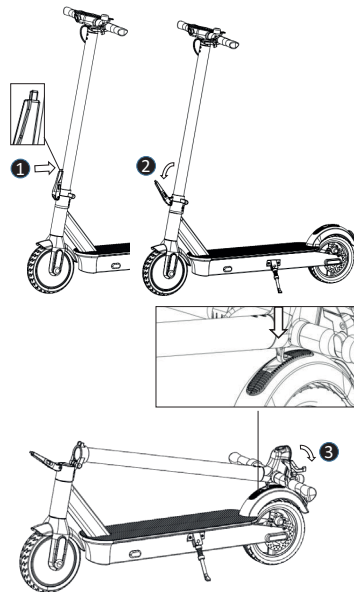
Detener el patinete

1. Suelte la palanca del acelerador.
2. Frene presionando la palanca del freno de mano delantero.
3. Pulse el botón de apagado cuando el patinete no se vaya a usar.



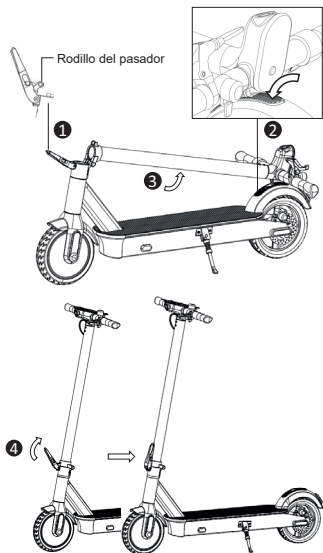
Plegar el patinete

1. Pulse el botón antirretorno.
2. Desbloquee la palanca de plegado.
3. Doble el tubo delantero hacia atrás y bloquee el gancho de fijación en la placa de fijación del freno de la rueda trasera.



Desplegar el patinete

1. Abra la palanca de plegado en su totalidad para exponer el rodillo del pasador.
2. Presione la placa de fijación del gancho para que se libere el gancho de fijación.
3. Levante el tubo delantero.
4. Bloquee la palanca de plegado.



VI. Método de resolución de problemas

Introducción y disposición de los códigos de fallos

Código de fallos	Introducción	Disposición
0E	Hay poca batería.	Cargue la batería por completo.
1E	La batería se ha sobrecargado.	Quite el cargador. Póngase en contacto con un centro de servicio autorizado si el código de fallo sigue apareciendo.
2E	Se ha producido un fallo en el controlador.	Póngase en contacto con un centro de servicio autorizado.
3E	Si el controlador se sobrecalienta, inicie el programa de protección.	No utilice el patinete en este caso. Espere a que la temperatura disminuya para volver a utilizarlo.
4E	La línea de señal se ha aflojado o se ha interrumpido.	Póngase en contacto con un centro de servicio autorizado.
5E	La conexión entre el motor y el controlador es débil.	Póngase en contacto con un centro de servicio autorizado.
6E	Se ha producido un fallo en el acelerador.	Póngase en contacto con un centro de servicio autorizado.

Introducción y disposición de los códigos de fallos		
7E	Se ha producido un fallo en el sistema de frenos.	Póngase en contacto con un centro de servicio autorizado.
8E	Sobretensión, inicie el programa de protección.	Apague el patinete y vuelva a encenderlo más tarde. Póngase en contacto con un centro de servicio autorizado si el código de fallo sigue apareciendo.
9E	Rotor del motor bloqueado	Apague el patinete y vuelva a encenderlo más tarde. Póngase en contacto con un centro de servicio autorizado si el código de fallo sigue apareciendo.

La batería no carga.

Causa y solución:

1. El enchufe no se ha introducido correctamente.
2. El cargador está dañado, utilice un nuevo cargador.
3. El cable de la batería está suelto, vuelva a conectar los terminales.

El kilometraje tras la carga sigue siendo insuficiente.

Causa y solución:

1. Todavía no hay suficiente carga, cargue completamente la batería.
2. Viento en contra y fuerte, cargas pesadas, mal estado de la superficie y bajas temperaturas.
3. Los terminales conectados entre la batería y el puerto de carga se han aflojado, vuelva a conectar los terminales.

La velocidad es demasiado baja.

Causa y solución:

1. La carga de la batería es demasiado baja, cargue completamente la batería.

El freno no funciona

Causa y solución:

1. El cable de freno es demasiado largo, vuelva a apretarlo.
2. Si la pastilla de freno está dañada, sustitúyala por una original.

Nota: Si detecta un mal funcionamiento, póngase en contacto con un centro de servicio autorizado. No repare o modifique el patinete, esto podría afectar a la garantía y provocar daños.

VII. CONDUCCIÓN Y SEGURIDAD

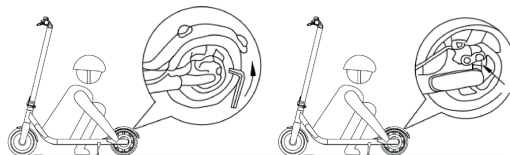
Es necesario aprender a conducir el patinete antes de usarlo. Si utiliza el patinete sin haber aprendido a manejarlo, existe el riesgo de que sufra daños. Utilice medidas de protección para evitar daños. Una vez que haya completado estos pasos, podrá encender su patinete:



AJUSTE DE LOS FRENOS

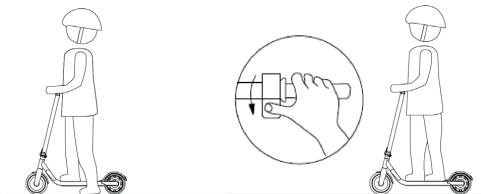
Antes de usar el patinete, compruebe los frenos. Si cree que el freno está demasiado apretado, utilice la llave hexagonal hacia la izquierda para aflojar los tornillos de la placa de presión en el asiento del freno de disco, suelte el latiguillo de freno para acortar un poco la longitud expuesta y apriete los tornillos de la placa de presión. Si considera que el freno está demasiado flojo, suelte los tornillos de la placa de presión, tire del cable de freno para alargarlo un poco y luego bloquee los tornillos de la placa de presión.

¡ADVERTENCIA! Al frenar bruscamente, existe el riesgo de sufrir lesiones graves por la pérdida de tracción o caídas. Mantenga una velocidad moderada y preste atención a los posibles peligros.



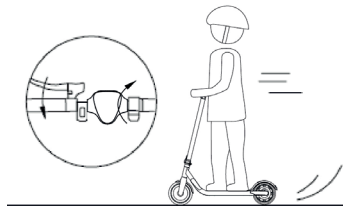
USO

Mantenga un pie sobre la base del patinete y otro sobre el suelo. Empuje el patinete con un pie en el suelo, cuando la velocidad alcance los 3 km/h empiece a acelerar. Mantenga el otro pie en la base, acelere o mantenga una velocidad concreta. Esto es necesario para iniciar la marcha de manera segura.

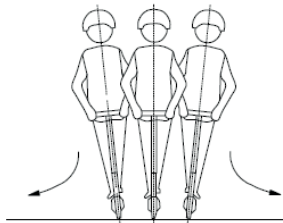


VELOCIDAD CONSTANTE

Si mantiene pulsado el acelerador, la velocidad se fijará, lo cual le permitirá conducir de manera más cómoda. Para desactivar esta función, pulse de nuevo el acelerador y active el freno.

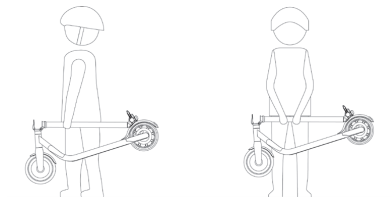


Procure mantener una postura de equilibrio constante para circular:



PLEGADO Y TRANSPORTE

Una vez haya plegado el patinete, agárrelo por la barra como se muestra en la siguiente ilustración:



⚠ Advertencias: El incumplimiento de estas instrucciones puede provocar lesiones graves.

- NO conduzca el patinete eléctrico bajo la lluvia.
- NO lo moje.
Tenga cuidado con la cabeza al pasar por puertas.
- Mantenga la velocidad entre 5 y 10 km/h (3,1 y 6,2 mph) cuando pase por badenes, puertas de ascensores, superficies con baches o irregulares. Doble ligeramente la rodilla para circular mejor por las superficies mencionadas anteriormente.
- NO mantenga los pies en el guardabarros trasero.
- NO pulse el acelerador cuando camine arrastrando el patinete eléctrico. Evite que los neumáticos o ruedas toquen obstáculos.
- NO lleve objetos pesados en el manillar.
- NO conduzca el patinete eléctrico con un solo pie.
- NO circule por carreteras públicas, autopistas o autovías.
- NO gire el manillar de manera brusca mientras conduce a alta velocidad.
- NO suba y baje escaleras ni salte obstáculos.
- NO quite las manos del manillar mientras conduce. No conduzca con una sola mano.

- NO circule por charcos o cualquier otro obstáculo (de agua). En tal caso, reduzca la velocidad y evite los obstáculos.
- NO transporte pasajeros. Solo una persona puede circular con el patinete eléctrico.
- No transporte niños.
- No circule si está embarazada.
- NO utilice su teléfono móvil ni lleve puestos auriculares mientras circule con el patinete eléctrico.
- NO manipule el motor del buje después de circular, porque puede estar caliente.
- Mantenga en todo momento las dos manos en el manillar; si no lo hace correrá el riesgo de sufrir graves lesiones al perder el equilibrio o al caerse.
- Utilícelo solo en condiciones de clima seco.
- No se recomienda su uso en carreteras públicas.
- Nunca gire violentamente cuando conduzca a gran velocidad.
- No arranque ni detenga el patinete repentinamente.
- Asegúrese de que la velocidad del patinete eléctrico es segura para usted y para los demás y esté preparado para detenerlo en cualquier momento mientras esté en marcha.
- Cuando conduzca el patinete eléctrico, mantenga la distancia de seguridad para evitar colisiones.
- Al girar debe utilizar el centro de gravedad de su cuerpo; un cambio brusco del centro de gravedad puede causar daños.
- Compruebe periódicamente que los rodamientos no tengan humedad ni suciedad. Seque y limpie los rodamientos. Si es necesario, engrase los rodamientos después de limpiarlos. Para ello, utilice únicamente lubricantes adecuados. Compruebe también la posición de la dirección para garantizar la seguridad del producto.
- No se podrán realizar modificaciones que no sean las que el fabricante indica.
- Cuando las tuercas autoblocantes y otras fijaciones autoblocantes pueden perder su eficacia.
- Evite conducir en pendientes pronunciadas.

VIII. LIMPIEZA Y MANTENIMIENTO

Este patinete eléctrico puede utilizarse como medio de transporte y, como tal, requiere un mantenimiento de todos sus componentes, que sufren un desgaste debido al uso de este y que no se incluye en la garantía.

LIMPIEZA

Asegúrese de que el patinete eléctrico está apagado, el cable de carga está desenchufado y la tapa de goma del puerto de carga está bien cerrada antes de limpiarlo; de lo contrario, los componentes eléctricos podrían dañarse. En primer lugar, desconecte siempre el producto del cargador, cubra el enchufe de carga para protegerlo del agua, apague el producto y evite que la batería, el motor y otras piezas electrónicas entren en contacto con el agua durante la limpieza para evitar peligros imprevistos. No utilice un chorro de agua a alta presión para limpiar el producto ni lo sumerja en agua.

Limpie el patinete eléctrico con un paño húmedo. Si necesita raspar la suciedad, utilice un cepillo suave y luego un paño húmedo.

Asegúrese de cubrir el puerto de carga para evitar problemas con los componentes electrónicos.

No utilice alcohol, gasolina, queroseno u otros componentes químicos volátiles o corrosivos. Esto puede dañar tanto el aspecto como la estructura interna del patinete eléctrico. Tampoco utilice una pistola de agua a presión o agua corriente.

PRESERVACIÓN

Cuando no utilice el patinete eléctrico, déjelo en un lugar fresco y seco. Evite dejarlo en el exterior, ya que no está diseñado para su uso en zonas húmedas, cerca de agentes corrosivos como agua de mar, puertos, etc. Tampoco se recomienda exponerlo a las altas temperaturas del sol durante mucho tiempo.

IX. MANIPULACIÓN DE LA BATERÍA Y PROHIBICIONES

No utilice otros modelos o marcas de baterías, utilice solo la batería original.

No coloque la batería en un entorno con temperaturas superiores a 50 °C o inferiores a -20 °C (por ejemplo, dentro del maletero de un coche en verano) ni tampoco en lugares cercanos al fuego. De lo contrario, la batería puede fallar, sobrecalentarse e incluso provocar un incendio.

Intente que las baterías no se descarguen del todo, es mejor cargarlas cuando todavía queda algo de carga en ellas. Esto prolongará su vida útil. La circulación del patinete en zonas muy frías o cálidas puede disminuir la vida útil de las baterías. Esto no se debería a un fallo de las baterías, sino a su funcionamiento normal.

Cuando el producto no se utilice durante más de 30 días, cargue completamente la batería y guárdela en un lugar fresco y seco, cárguela completamente cada 60 días. El incumplimiento de estos pasos podría causar daños en la batería, los cuales no están cubiertos por la garantía.

Está prohibido desmontar el compartimento de la batería. Solo los servicios técnicos oficiales o los talleres adheridos pueden manipularlo.

Utilice únicamente el cargador original para la carga; de lo contrario existe el riesgo de que se produzcan daños o incendios.

La eliminación inadecuada de las baterías usadas puede ser verdaderamente perjudicial para el medioambiente. Siga la normativa local al eliminar la batería.

Después de cada uso, recargue la batería, esto alargará su vida útil.



La célula de la batería contiene sustancias inflamables y peligrosas. Una mala manipulación puede provocar incendios, humos, explosiones y graves lesiones personales o pérdidas materiales. Lea y respete siempre las siguientes prohibiciones y equípese con el equipo de protección adecuado antes de realizar cualquier intervención en la batería.

Mantenga la batería fuera del alcance de los bebés y los niños para evitar cualquier accidente. En caso de que niños pequeños utilicen la batería, sus tutores deben explicarles el método de manejo adecuado y las precauciones antes de utilizarla, así como garantizar siempre la integridad de la batería.

Utilice solo el cargador original y cargue la batería solo de la forma indicada. No cargue la batería directamente en una toma de corriente eléctrica o en un cargador de mechero de automóvil. No cargue la batería sin vigilarla.

- No cargue la batería al revés.
- No deje la batería cerca del fuego o de una fuente de calor, tampoco la arroje al fuego.
- No cargue ni utilice la batería en un coche o en un lugar similar donde la temperatura interior pueda ser superior a 50 °C.
- No sumerja, arroje ni moje la batería en agua dulce ni agua del mar, etc.
- No cortocircuite ni conecte los terminales (+) positivo y (-) negativo con objetos metálicos. No guarde la batería en un bolsillo o en un bolso junto con objetos metálicos como llaves, collares, horquillas, monedas o tornillos.
- No perforo la batería con objetos afilados, como agujas o destornilladores.
- No caliente partes de la batería con objetos calientes, como soldadoras.

- No la golpee con objetos pesados como martillos o pesas. No pise la batería, ni la tire o deje caer para evitar golpes mecánicos. No utilice baterías que estén muy deformadas.
- No desmonte la batería ni modifique el diseño de esta, incluido el circuito eléctrico.
- No suelde la batería directamente y no utilice ni junte baterías viejas y nuevas juntas.
- No ponga la batería en microondas, secadoras o recipientes de alta presión.
- No utilice ni junte la batería con baterías de otros fabricantes, diferentes tipos y modelos de baterías, como baterías secas, baterías de hidrógeno de níquel-metal o baterías de níquel-cadmio.

Aléjela inmediatamente del fuego cuando se detecten fugas u olores desagradables. Si el líquido entra en contacto con la piel o la ropa, lávese bien con agua dulce inmediatamente. Si el líquido que gotea de la batería le entra en los ojos, no se los frote, lávelos con agua limpia y acuda inmediatamente a un médico. Si los terminales de la batería se ensucian, límpielos con un paño seco antes de utilizarla.

Cubra los terminales con cinta aislante adecuada antes de desecharla.

Antes de usar, instalar o retirar la batería o utilizar el cargador, lea siempre el manual del usuario y cumpla con las precauciones de uso.

Sustituya la batería cuando el tiempo de uso de esta sea mucho más corto de lo habitual.

Para almacenar la batería durante un periodo de tiempo prolongado, deberá retirarla del producto y guardarla en un lugar donde la humedad y la temperatura sean bajas.

Cuando la batería se esté cargando, utilizando o esté en almacenamiento, manténgala alejada de materiales con electricidad estática.

No se puede utilizar una batería no recargable como recambio.

La batería debe retirarse del aparato antes de desecharse.

El producto debe desconectarse de la fuente de alimentación cuando se vaya a retirar la batería.

La batería debe eliminarse de forma segura.

No utilice la batería en caso de que se genere electricidad estática (más de 100 V), pues el circuito de protección de la batería se dañará.

No retire la batería. La extracción de la batería es complicada y puede alterar el funcionamiento de la máquina. Para realizar operaciones en la batería, debe ponerse en contacto con un centro de servicio autorizado.

No almacene ni cargue la batería a temperaturas que no estén dentro de los límites indicados (véase en este manual). No perforo la batería. Consulte las leyes y reglamentos locales relativos al reciclaje y eliminación de las baterías.

Una batería con un buen mantenimiento puede funcionar bien incluso después de muchos kilómetros. Cargue la batería después de cada viaje y evite que se agote por completo.



¡ADVERTENCIA!

Aléjela inmediatamente del fuego cuando se detecten fugas u olores desagradables. Si el líquido entra en contacto con la piel o la ropa, lávese bien con agua dulce inmediatamente. Si el líquido que gotea de la batería le entra en los ojos, no se los frote, lávelos con agua limpia y acuda inmediatamente a un médico. Si los terminales de la batería se ensucian, límpielos con un paño seco antes de utilizarla.

Cubra los terminales con cinta aislante adecuada antes de desecharla.

Antes de usar, instalar o retirar la batería o utilizar el cargador, lea siempre el manual del usuario y cumpla con las precauciones de uso.

Sustituya la batería cuando el tiempo de uso de esta sea mucho más corto de lo habitual.

Para almacenar la batería durante un periodo de tiempo prolongado, deberá dejarla fuera de uso y guardarla en un lugar donde la humedad y la temperatura sean bajas.

Cuando la batería se esté cargando, utilizando o esté en almacenamiento, manténgala alejada de materiales con electricidad estática.

No se puede utilizar una batería no recargable como recambio.

La batería debe retirarse del aparato antes de desecharse.

El producto debe desconectarse de la fuente de alimentación cuando se vaya a retirar la batería.

La batería debe eliminarse de forma segura.

No intente desmontar la batería. No toque los contactos de la batería. No desmonte ni perfore la carcasa.

Mantenga los contactos de la batería alejados de objetos metálicos para evitar cortocircuitos. Existe el riesgo de que se generen incendios o descargas eléctricas. No cargue ni utilice la batería si está dañada o ve restos de agua en ella.

En caso de accidente o avería, póngase en contacto con un reparador autorizado en su país.

El usuario debe ponerse en contacto con un servicio de atención al cliente autorizado o especializado.

X. Carga, descarga y almacenamiento de la batería



Advertencia: Respete en todo momento las siguientes indicaciones.

Utilice solo el cargador original, si no hace esto podrían producirse daños personales y pérdidas de bienes. La garantía no cubre daños que se hayan producido por no usar un cargador original.

No cargue cerca de cualquier fuente de líquido o fuego, evite siempre las sustancias inflamables. No deje el dispositivo desatendido mientras se carga.

No cargue si el puerto o el cable del cargador está mojado.

No cargue ni utilice la batería si está dañada o ve restos de agua en ella.

La interfaz de carga está provista de una ranura especial. No fuerce la inserción del conector, ya que podría dañar el dispositivo.

El indicador de carga se ilumina en rojo cuando la batería se está cargando. El indicador se ilumina en verde cuando la batería está totalmente cargada.

Retire el cargador cuando el indicador de batería esté en verde. Una sobrecarga o una descarga excesiva provocará daños irreversibles en la batería o pérdidas materiales. Si el indicador del cargador se pone en verde al cargar la batería tras usar el patinete, desconecte el cargador y deje que la batería se enfríe antes de cargarla. Esto se debe al sistema de protección inteligente que detecta altas temperaturas internas en la batería. La batería puede ponerse a cargar una vez se haya enfriado.

Pare de cargar y desconecte el cargador si la batería no está completamente cargada después del siguiente periodo de tiempo recomendado. Contacte con el servicio de atención al cliente para más información.

El puerto de carga debe cubrirse con la tapa de goma después de cada carga.

Extreme siempre la precaución al manipular la batería.

Deje de utilizar la batería si detecta en ella un calentamiento anormal, olor, decoloración, deformación u otra condición inusual durante su uso, carga o almacenamiento.

La batería puede usarse dentro de los siguientes rangos de temperatura. No sobrepase estos rangos.

Temperatura de funcionamiento: entre -10 y 60 °C (el rendimiento de la batería puede variar en función de la temperatura)

Temperatura de carga: entre 10 y 45 °C

Temperatura de almacenamiento y transporte: entre -10 y 45 °C

Humedad de almacenamiento: 10-80%

XI. Información de uso

Nombre del producto	Patinete eléctrico Acer ES serie 5
Modelo	AES015
Dimensiones desplegado	118 ancho x 49 largo x 125 alto (cm)
Dimensiones plegado	118 ancho x 49 largo x 55 alto (cm)
Peso con batería incluida	18,5 kg
Motor	350 W
Batería	15 Ah
Tipo de batería	Iones de litio
Fabricante de la batería	TIANHONG
Carga	42 V/2,0 A
Fabricante del adaptador: FUYUANDIAN, n.º de modelo: FY-4202000	
Tiempo de carga completa	4 horas
Velocidad máxima	20 km/h o 25 km/h (dependiendo de las legislaciones de cada país)
Distancia máxima sin carga	60 km
Regulación de velocidad	Sí
Modos de velocidad	3
Nivel de los modos de velocidad	Entre 0 y 6 km/h; 0 y 10 km/h; 0 y 20 o 25 km/h (dependiendo de las legislaciones de cada país)
Mecanismo de plegado	Sí
Material principal	Plataforma de aleación de aluminio, tubo delantero de acero
Carga máxima	Hasta 100 kg
Altura	11 cm
Manillar con altura regulable	No
Frenos	freno electrónico delantero y freno de disco trasero

Pantalla	Pantalla LED
Amortiguador de rueda	Sí
Ruedas	rueda de neumático sólida
Material de los neumáticos	Goma
Unidad motriz	Tracción delantera
Diámetro de la rueda	10"
Resistente al agua	IPX4
Reflectores	Sí
Luz delantera	Sí
Aplicación	No
Señal sonora	Sí
Retroiluminación	Sí
Bluetooth	Sí
Capacidad de ascenso	10°

XII. Otros

1. La fecha del fabricante se indica en la etiqueta del producto.

2.  Almacenamiento

Almacene este producto en un lugar seco, fresco y seguro, evite la humedad y las altas temperaturas. La humedad puede dañar los componentes eléctricos. Cuando la batería de litio falle, póngase en contacto con su agencia local de reciclaje y elimine la batería de litio de acuerdo con las leyes y normativas nacionales o locales.

- Temperatura de funcionamiento: entre -10 y 60 °C
- Temperatura de carga: entre 10 y 45 °C
- Temperatura de almacenamiento y transporte: entre -10 y 45 °C
- Humedad de almacenamiento: 10-80%

3. Este producto no debe eliminarse con otros residuos domésticos. Recicle el producto para reducir al mínimo su impacto medioambiental, de acuerdo con la normativa local o póngase en contacto con la oficina municipal o con el servicio de recogida de residuos domésticos.

4. 1) Los dispositivos no están pensados para su uso en alturas de más de 2000 m por encima del nivel del mar.
- 2) La exposición prolongada a los rayos ultravioleta, la lluvia y las inclemencias meteorológicas pueden dañar el material de la carcasa. Guárdelo en interiores mientras no se use.
- 3) **ADVERTENCIA** - Riesgo de incendio - No contiene piezas que el usuario pueda reparar.



Acer Incorporated
8F, 88, Sec. 1, Xintai 5th Rd., Xizhi
New Taipei City 221, Taiwan

Declaración de conformidad de la UE

Nosotros,

Acer Incorporated

8F, 88, Sec. 1, Xintai 5th Rd., Xizhi, New Taipei City 221, Taiwán

Y

Acer Italy s.r.l.

Viale delle Industrie 1/A, 20044 Arese (MI), Italia

Tel.: +39-02-939-921, fax: +39-02 9399-2913

www.acer.it

Producto: Patinete eléctrico Acer ES serie 5

Nombre comercial: acer

Número de modelo: AES015

Número SKU: AES015 *****

(**** = 0~9, a ~ z, A ~ Z o espacio)

Por medio de la presente, Acer Incorporated declara, bajo su sola responsabilidad, que el producto descrito anteriormente cumple con la legislación relevante sobre armonización de la Unión Europea: Directiva relativa a las máquinas 2006/42/CE y Directiva sobre sustancias peligrosas 2011/65/UE. Se han aplicado los siguientes estándares armonizados y/u otros estándares relevantes:

EN 17128:2020

EN 301 489-17 V3.2.4

EN 300 328 V2.2.2

EN 62479:2010

EN 301 489-1 V2.2.3

EN IEC 63000:2018

Año para empezar a colocar el marcado CE: 2022.

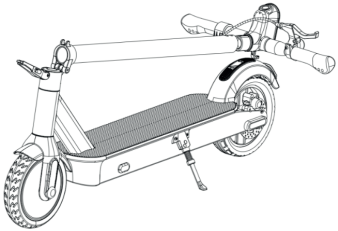




RU Jan/Director ejecutivo

Acer Incorporated (Taipei, Taiwan)

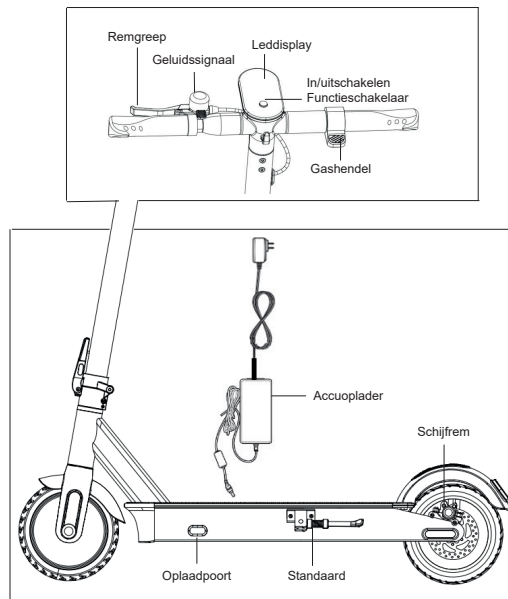
5/16/2022

Fecha

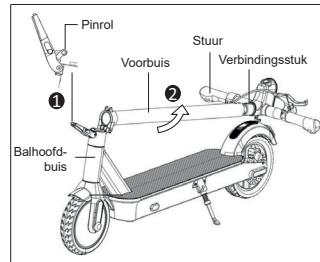
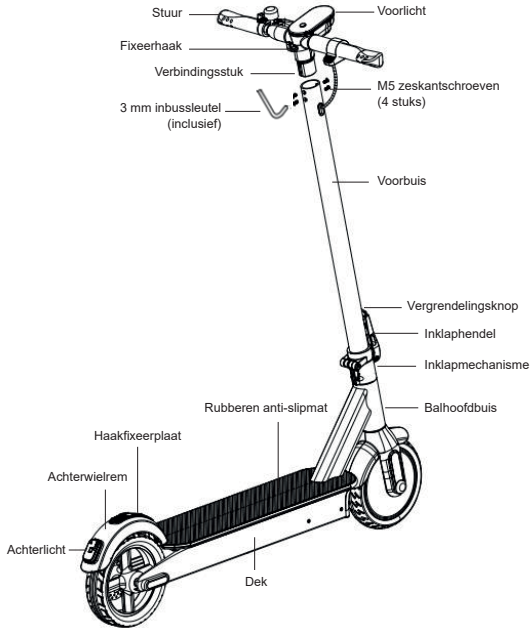
I. Inhoud verpakking

Step *1	
3 mm inbusleutel *1	
Handleiding *1	
Accuoplader *1	
M5*14L verzonken schroeven *4 stuks	

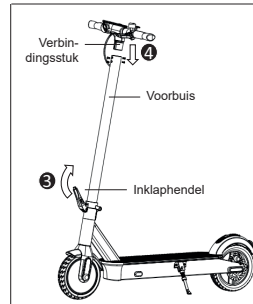
II. Onderdelen



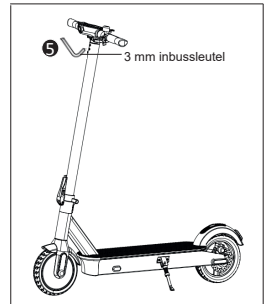
III. Montage



- 1 Open de inklaphendel helemaal om de pinrol toegankelijk te maken.
- 2 Til de voorbuis met het verbindingsstuk en stuur op, op gelijke hoogte met de balhoofdbuis.



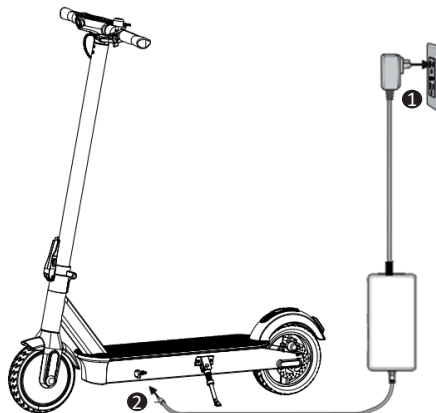
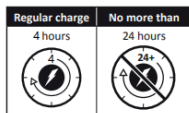
- 3 Vergrendel de inklaphendel.
- 4 Steek het verbindingsstuk in de voorbuis.



- 5 Draai de 4 zeskantschroeven in de voorbuis vast met de bijgesloten 3 mm inbusleutel.

IV. De accu opladen

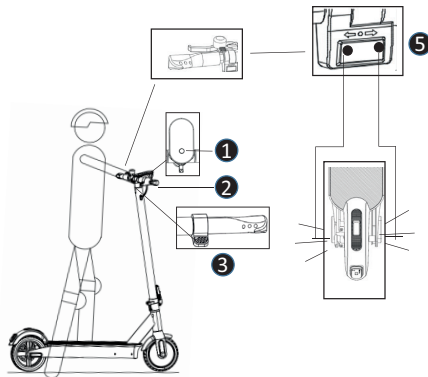
Opmerking: Het opladerlampje is tijdens het opladen **rood** en wordt **groen** als het opladen is voltooid.



V. GEBRUIK

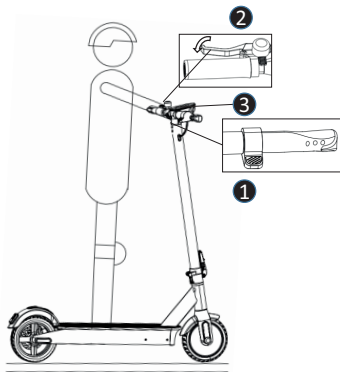
De step starten

1. Houd de aan/uitknop 3 seconden ingedrukt om de step in te schakelen. Druk eenmaal kort op de aan/uitknop om het licht in/uit te schakelen. Druk de aan/uitknop tweemaal in om de snelheidsregeling te veranderen. Druk de aan/uitknop driemaal in om tussen km/h en mph te schakelen.
2. Pak het stuur met beide handen stevig vast.
3. Ga met één voet op het dek staan en duw met de andere voet af op de grond om snelheid te maken. Druk zachtjes op de gashendel.
4. Zet beide voeten op het dek als u rijdt.
5. Turn signal (optional).



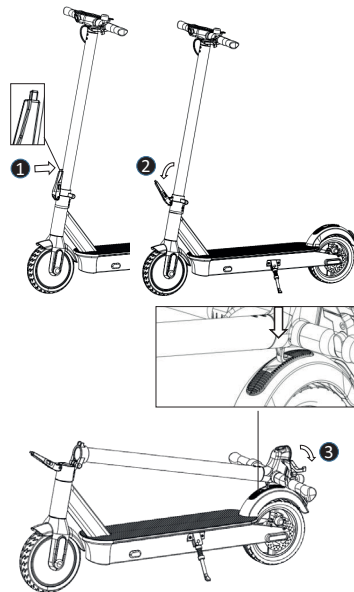
De step stoppen

1. Laat de gashendel los.
2. Rem door met de handremgreep te knijpen.
3. Zet de aan/uitknop op uit als het voertuig niet wordt gebruikt.



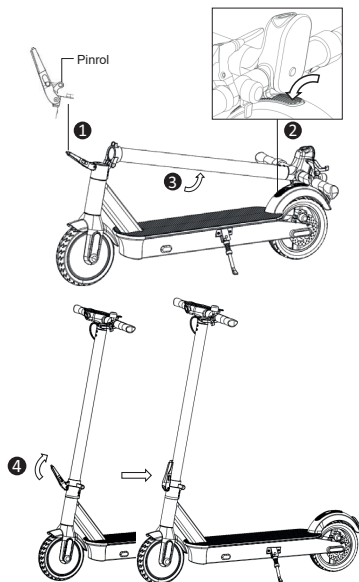
De step inklappen

1. Druk de ontgrendelingsknop in.
2. Klap de inklaphendel open.
3. Klap de voorbuis terug en vergrendel de fixeerhaak aan de fixeerplaat op de achterwielrem.



De step uitklappen

1. Open de inklaphendel helemaal om de pinrol toegankelijk te maken.
2. Druk omlaag op de haakfixeerplaat om de fixeerhaak los te maken.
3. Til de voorbuis op.
4. Vergrendel de inklaphendel.



VI. Problemen oplossen

Beschrijvingen en oplossingen voor foutcodes

Foutcode	Beschrijving	Oplossing
0E	Accu bijna leeg	Laad de accu volledig op
1E	Accu te veel geladen	Verwijder de oplader. Neem contact op met de klantenservice als de foutcode niet verdwijnt.
2E	Controllerprobleem	Neem contact op met de klantenservice.
3E	Temperatuur van controller te hoog, start het beschermingsprogramma	Gebruik de step enige tijd niet. Wacht totdat de temperatuur zakt en probeer het opnieuw.
4E	Signaallijn los of verbroken	Neem contact op met de klantenservice.
5E	Los contact tussen motor en controller	Neem contact op met de klantenservice.
6E	Versnellingsstoring	Neem contact op met de klantenservice.
7E	Remsysteemstoring	Neem contact op met de klantenservice.

Beschrijvingen en oplossingen voor foutcodes		
8E	Spanning te hoog, start het beschermingsprogramma	Stop de step en start deze later opnieuw. Neem contact op met de klantenservice als de foutcode niet verdwijnt.
9E	Rotor van motor geblokkeerd	Stop de step en start deze later opnieuw. Neem contact op met de klantenservice als de foutcode niet verdwijnt.

De accu wordt niet opgeladen

Oplossing:

1. De stekker is niet correct aangesloten.
2. De oplader is beschadigd, gebruik een nieuwe oplader.
3. De accukabel is los, sluit de stekkers opnieuw aan.

Onvoldoende bereik na opladen

Oplossing:

1. Accu onvolledig opgeladen, laad de accu volledig op.
2. Bergop gereden of zware tegenwind, zware belasting, slecht wegdek of lage temperatuur.
3. De stekker die de accu en de oplaadpoort verbindt, zit los. Sluit de stekkers opnieuw aan.

Snelheid is te laag

Oplossing:

1. Het accuvoltage is te laag, laad de accu volledig op.

De rem functioneert niet

Oplossing:

1. De remkabel is te lang. Bevestig de remkabel opnieuw.
2. Als de remblokjes zijn versleten, vervangt u deze.

Opmerking: Wanneer een storing wordt opgemerkt, neemt u contact op met de klantenservice. Repareer of demonteer de step niet zelf, hierdoor kan resulteren in verminderde garantie en letsel.

VII. RIJDEN EN VEILIGHEID

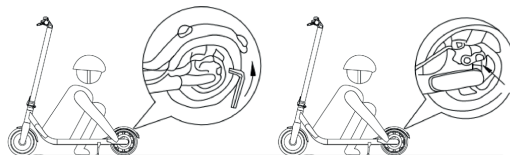
Plan enige tijd in voor een leerproces om het gebruik van dit apparaat onder de knie te krijgen. Zonder correct leerproces kan het gebruik van dit apparaat resulteren in letsel. Gebruik bescherming om letsel tegen te gaan. Zodra u deze stappen hebt voltooid, kunt u de elektrische step inschakelen.



REM AANPASSEN

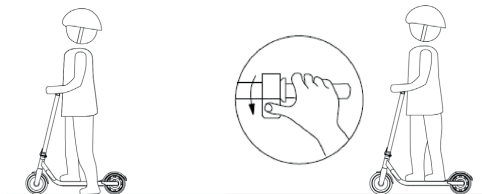
Controleer de remmen voor elke rit. Als u merkt dat de rem te strak zit, draait u met de inbussleutel de schroeven op de drukplaat om de schijfremhouder linksom om ze losser te maken. Maak de remkabel los om de blootgestelde lengte te verkorten en draai de schroeven van de drukplaat vast. Als u merkt dat de rem te los zit, draait u de schroeven op de drukplaat los, trekt u aan de remkabel om deze iets langer te maken en vervolgens draait u de schroeven op de drukplaat vast.

WAARSCHUWING! Wanneer u hard remt, loopt u een aanzienlijk risico op letsel door verlies van grip en kunt u vallen. Houd de snelheid gematigd en kijk altijd uit voor mogelijke gevaren.



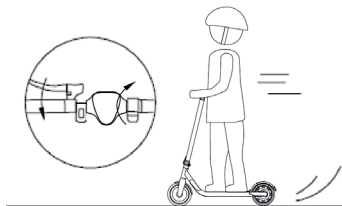
GEBRUIK

Houd een voet op het dek en een voet op de grond. Zet af met de voet op de grond, wanneer de snelheid 3 km/u bereikt, gaat u gas geven. Houd de andere voet op het dek en versnel of houd dezelfde snelheid. Dit is nodig de rit veilig te starten.

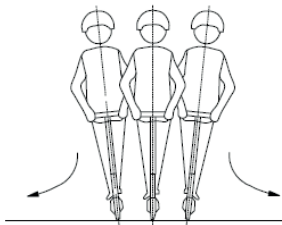


CONSTANTE SNELHEID

Als u de gashendel ingedrukt houdt, blijft de snelheid constant, voor meer rijcomfort. Annuleer deze functie door de rem te activeren.

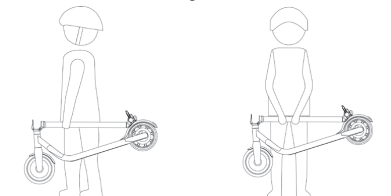


Zorg dat u in evenwicht blijft in bochten:



INKLAPPEN EN TRANSPORT

Als de elektrische step is ingeklapt, houdt u deze vast aan de buis om deze te vervoeren. Zie de afbeelding:



⚠ Waarschuwingen: het niet opvolgen van deze instructies kan resulteren in ernstig letsel.

- Gebruik de elektrische step NIET als het regent.
- Laat het apparaat NIET nat worden.
Pas op met uw hoofd als u onder een deurpost door gaat.
Houd de snelheid tussen 5 - 10 km/u (3,1 - 6,2 mph) als u over een verkeersdrempel, drempel, hobbelige weg of ander oneffen terrein rijdt. Ga lichtjes in de knieën om beter om te gaan met de genoemde oppervlakken.
- Plaats NOOIT een voet op het achterspatbord.
- Druk NOOIT de gashendel in als u met de elektrische step loopt.
Rijd niet over obstakels met de band of het wiel.
- U mag NOOIT zware objecten op het stuur plaatsen of aan het stuur hangen.
- Gebruik de elektrische step NIET met slechts één voet.
- Rijd NIET op openbare wegen, rijkswegen of autosnelwegen.
- Draai NIET plotseling aan het stuur als u met hoge snelheid rijdt.
- Rijd NOOIT een trap op of af en spring NIET over obstakels.
- Laat NOOIT het stuur los met beide handen tijdens het rijden. Rijd niet met slechts één hand.

- Rijd NIET door plassen of andere obstakels (met water). In dergelijke situaties mindert u snelheid en rijdt u om het obstakel heen.
- Vervoer GEEN passagiers. De elektrische step is bedoeld voor slechts één bestuurder.
- Vervoer geen kinderen.
- Rijd niet op de step als u zwanger bent.
- Gebruik GEEN mobiele telefoon en draag GEEN koptelefoon wanneer u de elektrische step bestuurt.
- Raak de hubmotor NIET aan na de rit omdat deze heet wordt.
- Houd altijd twee handen op het stuur omdat u anders uw evenwicht kunt verliezen, kunt vallen en gewond kunt raken.
- Het gebruik is alleen bedoeld bij droog weer.
- We raden niet aan om op openbare wegen te rijden.
- Trek nooit plotseling aan het stuur wanneer u rijdt.
- Stop of start niet plotseling.
- Zorg dat de snelheid van de elektrische step veilig is voor u en voor anderen en zorg dat u tijdens het rijden altijd kunt stoppen.
- Zorg wanneer u met de elektrische rijdt dat u voldoende afstand houdt tot anderen om botsingen te vermijden.
- Wanneer u stuurt moet u het zwaartepunt van uw lichaam gebruiken. Als u plotseling uw gewicht omgooit, kan dit resulteren in beschadiging.
- Controleer de kogellagers regelmatig op vocht en vuil. Maak de kogellagers droog en schoon. Indien nodig vet u de kogellagers in na het reinigen. Gebruik hiervoor uitsluitend passende smeermiddelen. Controleer ook de positie van het stuur om ervoor te zorgen dat dit product veilig is.
- Er mogen geen aanpassingen worden doorgevoerd die niet door de instructies van de fabrikant zijn opgedragen.
- Wanneer zelfborgende moeren en andere zelfborgende fixeringen hun effectiviteit kunnen verliezen.
- Rijd niet op steile hellingen.

VIII. REINIGING EN ONDERHOUD

Deze elektrische step kan worden gebruikt als transportmiddel en als zodanig moet het apparaat en alle onderdelen worden onderhouden. Deze kunnen namelijk verslijten door het gebruik en dit wordt niet gedekt door de garantie.

REINIGING

Zorg dat de elektrische step UIT staat, dat de oplaadkabel is losgekoppeld en dat de rubberen kap van de oplaadpoort stevig vast zit voordat u het apparaat reinigt, omdat u anders de elektronische componenten kunt beschadigen. Zorg dat u altijd eerst het product loskoppelt van de oplader, de oplaadstekker waterdicht afdekt, het product uitschakelt en vermijdt dat tijdens het reinigen vloeistof in aanraking komt met de accu, motor en elektronische onderdelen om onvoorziene gevaren af te wenden. Gebruik geen hogedrukreiniger om de product te reinigen en dompel het product niet in water.

Gebruik een vochtige doek om de elektrische step te reinigen. Als u vuil moet afschrappen, doet u dit met een zachte borstel en vervolgens een vochtige doek.

Zorg dat u de oplaadpoort afdekt om problemen met de elektronische componenten te vermijden.

Gebruik geen alcohol, wasbenzine, kerosine of andere vluchtige of bijtende chemische stoffen. Dit kan zowel het uiterlijk als de interne onderdelen van de elektrische step beschadigen. Gebruik ook geen hogedrukreiniger of stromend water.

BEWAREN

Sla de elektrische step op in een koele, droge omgeving wanneer deze niet wordt gebruikt. Laat het apparaat niet buiten staan, omdat het niet is gefabriceerd voor vochtige omgevingen, in de buurt van bijtende stoffen, zoals zout water, bij een haven en dergelijke. Het wordt daarnaast niet aangeraden om het apparaat langere tijd bloot te stellen aan hoge temperaturen die worden veroorzaakt door direct zonlicht.

IX. ONGANG MET DE ACCU EN VERBODEN ACTIES

Gebruik geen accu's van andere modellen of merken, gebruik alleen de originele accu.

Plaats de accu niet in een omgeving met een temperatuur hoger dan 50 °C of lager dan -20 °C (plaats de elektrische step bijvoorbeeld niet in de zomer in een kofferbak), en plaats de accu niet in de buurt van vuur. Hierdoor kan anders de accu defect of oververhit raken, met mogelijk brand als gevolg.

Zorg dat u de accu niet volledig ontlaaft. Het is beter om de accu op te laden als deze nog stroom heeft. Dit is voordelig voor de levensduur van de accu. Als u de elektrische step bestuurt in zeer koude of warme gebieden, kan dit de gebruikstijd van de accu verkorten. Dit is geen defect van de accu, maar is normaal gedrag.

Wanneer het apparaat langer dan 30 dagen niet wordt gebruikt, laad het apparaat dan volledig op en plaats het op een koele en droge plek en laad de accu elke 60 dagen op. Als u deze stappen niet opvolgt, kan de accu beschadigd raken. Deze schade wordt niet gedekt door de garantie.

Het is niet toegestaan om het accucompartiment te demonteren. Demontage is alleen toegestaan door officiële technische diensten of aangesloten werkplaatsen.

Gebruik uitsluitend de originele oplader om de accu op te laden, omdat anders een risico op schade of brand bestaat.

Het onjuist wegwerpen van gebruikte accu's kan ernstige milieuschade tot gevolg hebben. Houd u aan plaatselijke regelingen wanneer u deze accu wegwerpt.

Laad na elk gebruik de accu op om de levensduur van de accu te verlengen.



GEVAAR!

Accucellen bevatten ontvlambare en gevaarlijke stoffen. Het onjuist omgaan hiermee kan resulteren in brand, rook, explosie of ernstig persoonlijk letsel of verlies van eigendom. Lees en houd u altijd aan de volgende verboden acties, gebruik altijd afdoende beschermingsmaatregelen voordat u omgaat met de accu.

Houd de accu uit de buurt van zuigelingen en kleine kinderen om ongelukken te voorkomen. Voordat kleine kinderen de accu gebruiken, moeten ouders of voogd hen uitleggen hoe correct hiermee moet worden omgegaan en welke voorzorgsmaatregelen moeten worden getroffen, en moeten ze altijd de controleren of de accu in orde is.

Gebruik uitsluitend een aparte oplader en laad de accu uitsluitend hiermee op. Laad de accu niet direct op in een stopcontact of in de oplader die wordt aangesloten op de sigarettenaansteker van een auto. Laad de accu niet onbewaakt op.

- Laad de accu niet omgekeerd op.
- Laat de accu niet achter bij vuur of een warmtebron en werp de accu niet in vuur.
- Laad de accu niet op en gebruik de accu niet in een auto of op een andere plek waar de temperatuur 50°C of meer bedraagt.
- Dompel de accu niet onder in (zee)water, werp de accu niet in (zee) water en maak de accu niet nat.
- Veroorzaak met een metalen voorwerp geen kortsluiting tussen de positieve (+) en negatieve (-) contactpunten van de accu. Bewaar de accu niet in een zak of tas met andere metalen voorwerpen, zoals sleutels, kettingen, haarspelden, munten of schroeven.
- Doorboor de accu niet met een scherp voorwerp zoals een naald of schroevendraaier.
- Verwarm een gedeelte van de accu niet met een heet voorwerp zoals een soldeerbout.

- Sla niet met een zwaar voorwerp op de accu, zoals een hamer. Ga niet op de accu staan, gooi niet met de accu en laat de accu niet vallen om een mechanische schok te vermijden. Gebruik geen ernstig vervormde accu.
- Demonteer de accu niet en verander het ontwerp van de accu en het interne circuit niet.
- Soldeer niet direct op de accu en gebruik oude en nieuwe accu's niet naast elkaar of tegelijkertijd en voeg oude en nieuwe accu's niet samen.
- Plaats de accu niet in een magnetron, droger of hogedrukvat.
- Gebruik of samenvoegen van de accu en accu's van een ander merk, type, model, zoals droge accu's, nikkel-waterstof-accu's of nikkel-cadmium-accu's is niet toegestaan.

Houd de accu onmiddellijk uit de buurt van vuur wanneer de accu lekt of stinkt. Als vloeistof op uw huid of kleren lekt, spoelt u dit onmiddellijk weg met schoon water. Als vloeistof uit de accu in uw ogen komt, wrijf dan niet in uw ogen en was dit weg met schoon water. Ga onmiddellijk naar een arts. Als de contactpunten van de accu vuil worden, veeg ze dan af met een droge doek voordat u de accu gebruikt.

Bedek de contactpunten met isolatietape voordat u ze wegwerpt.

Voordat u de accu gebruikt/installeert/verwijderd of de oplader gebruikt, leest u altijd de gebruikershandleiding en volgt u de voorzorgsmaatregelen op.

Vervang de accu wanneer de gebruiktijd van de accu korter dan gebruiker wordt.

Als de accu langere tijd moet worden opgeslagen, moet de accu uit het product worden verwijderd en opgeslagen op een plek met lage vochtigheid en een lage temperatuur.

Als de accu wordt opgeladen, gebruikt of opgeslagen, houdt u deze uit de buurt van voorwerpen met statische elektriciteit.

Er kan geen niet-oplaadbare accu als vervanging worden gebruikt.

De accu moet worden verwijderd uit het product voordat het product wordt weggegooid.

Trek de stekker van het product uit het stopcontact voordat u de accu verwijdert.

De accu moet op een veilige manier worden weggegooid.

Gebruik de accu niet in situaties waar statische elektriciteit wordt opgewekt (meer dan 100 V), omdat hierdoor de beveiligingsschakelingen van de accu beschadigd kunnen raken.

Verwijder de accu niet. Het verwijderen van de accu is gecompliceerd en kan het functioneren van het product wijzigen. Neem alleen contact op met het geautoriseerde servicecenter om de accu te gebruiken.

Bewaar de accu niet en laad deze niet op bij een temperatuur buiten de opgegeven limiet (zie elders in deze handleiding). Verpletter de accu niet. Zie de lokale wet- en regelgeving voor instructies over het recyclen en/of wegwerpen van de accu.

Een correct onderhouden accu blijft goed functioneren zelfs na kilometers lang rijden. Laad de accu na elke rit op en zorg dat de accu niet volledig uitgeput raakt.



WAARSCHUWING!

Houd de accu onmiddellijk uit de buurt van vuur wanneer de accu lekt of stinkt. Als vloeistof op uw huid of kleren lekt, spoelt u dit onmiddellijk weg met schoon water. Als vloeistof uit de accu in uw ogen komt, wrijf dan niet in uw ogen en was dit weg met schoon water. Ga onmiddellijk naar een arts. Als de contactpunten van de accu vuil worden, veeg ze dan af met een droge doek voordat u de accu gebruikt.

Bedek de contactpunten met isolatietape voordat u ze wegwerpt.

Voordat u de accu gebruikt/installeert/verwijdert of de oplader gebruikt, leest u altijd de gebruikershandleiding en volgt u de voorzorgsmaatregelen op.

Vervang de accu wanneer de gebruiksduur van de accu korter dan gebruiker wordt.

Als de accu langere tijd moet worden opgeslagen, moet de accu uit het product worden verwijderd en opgeslagen op een plek met lage vochtigheid en een lage temperatuur.

Als de accu wordt opgeladen, gebruikt of opgeslagen, houdt u deze uit de buurt van voorwerpen met statische elektriciteit.

Er kan geen niet-oplaadbare accu als vervanging worden gebruikt.

De accu moet worden verwijderd uit het product voordat het product wordt weggegooid.

Trek de stekker van het product uit het stopcontact voordat u de accu verwijdert.

De accu moet op een veilige manier worden weggegooid.

Probeer de accu niet te demontelen. Raak de contactpunten van de accu niet aan. Ontmantel of doorboor de behuizing niet.

Houd de contactpunten van de accu uit de buurt van metalen voorwerpen om kortsluiting te vermijden. Risico op brand en elektrische schok. Laad de accu niet op en gebruik deze niet als deze is beschadigd of als u sporen van water ziet.

In geval van een ongeluk of storing: neem contact op met een geautoriseerde reparateur in uw land.

De gebruiker moet contact opnemen met een geautoriseerde of gespecialiseerde klantenservice.

X. De accu opladen/ontladen en opslaan



Waarschuwing: de volgende instructies moeten altijd worden opgevolgd.

Gebruik uitsluitend de originele oplader. Het onjuist gebruik kan resulteren in persoonlijk letsel en verlies van eigendom. Volgens de garantie geldt geen aansprakelijkheid als gevolg van het gebruik van een andere oplader dan de originele oplader.

Laad het product niet op in de buurt van een vloeistof of vuur. Vermijd altijd de aanwezigheid van brandende stoffen. Laat het apparaat niet onbewaakt wanneer het wordt opgeladen.

Laad de accu niet op als de oplaadpoort of oplaadkabel nat is.

Laad de accu niet op en gebruik deze niet als deze is beschadigd of als u sporen van water ziet.

De oplaadinterface heeft een speciale sleuf. Forceer de stekker niet in deze sleuf omdat dit het apparaat kan beschadigen.

De oplaadindicator is rood wanneer de accu wordt opgeladen. De indicator is groen wanneer het opladen is voltooid.

Verwijder de oplader wanneer de oplaadindicator groen is. Het te veel opladen of ontladen resulteert in onherstelbare schade aan de accu of verlies van eigendom. Als de oplaadindicator direct groen brandt als u de oplader meteen na een rit aansluit, koppelt u de oplader los en laat u de accu afkoelen voordat u deze oplaadt. Dit is een normaal verschijnsel van slimme beveiliging als gevolg van de hoge interne temperatuur van de accu. Het opladen kan starten zodra de accu is afgekoeld.

Stop het opladen en koppel de oplader los als de accu niet volledig is opgeladen nadat deze is opgeladen gedurende de aangeraden tijdsperiode. Neem contact op met de klantenservice voor meer informatie.

De oplaadpoort moet na elke oplaadsessie worden afgedekt door de bijgesloten rubberen kap.

Let altijd goed op wanneer u omgaat met de accu.

Stop het gebruik van de accu als de accu buitengewoon heet wordt, geur waarneembaar is, verkleuring, vervorming vertoont of als u een andere ongewone omstandigheden opmerkt tijdens het gebruik, opladen of opslag.

De accu kan worden gebruikt binnen het volgende temperatuurbereik. Overschrijdt dit bereik niet.

Bedrijfstemperatuur: -10-60°C (accuprestaties variëren met de temperatuur)

Oplaadtemperatuur: 10-45°C

Opslag- en transporttemperatuur: -10-45°C

Opslagvochtigheid: 10-80%

XI. Gebruiksaanwijzing

Naam product	Acer Elektrische step ES Series 5
Model	AES015
Afmetingen, uitgeklaapt	118L x 49B x 125H (cm)
Afmetingen, ingeklaapt	118L x 49B x 55H (cm)
Gewicht inclusief accu	18,5 kg
Motor	350 W
Batterij	15 Ah
Accutype	Lithium-ion
Accufabrikant	TIANHONG
Opladen	42 V/2,0 A
Adapterfabrikant: FUYUANDIAN, modelnr.: FY-4202000	
Tijdsduur volledig opladen	4 uur
Maximalsnelheid	20 km/u of 25 km/u (afhankelijk van reguleringen van het land)
Maximumafstand zonder opladen	60 km
Snelheidsregelaar	Ja
Snelheidsmodi	3
Snelheidsmodiniveau	0-6 km/u; 0-10km/u; 0-20 of 25 km/u (afhankelijk van reguleringen van het land)
Inklapmechanisme	Ja
Hoofdmateriaal	Dek van aluminiumlegering, frontbuis van staal
Maximumbelasting	Maximaal 100 kg
Hoogte	11 cm
In hoogte verstelbaar stuur	Nee
Remmen	Elektronische voorrem en schijfrem achter

Beeldscherm	Leddisplay
Schokdemper	Ja
Wielen	Wielen met massieve banden
Materiaal van banden	Rubber
Aandrijfeenheid	Voorwielaandrijving
Wieldiameter	10"
Waterdichtheid	IPX4
Reflectoren	Ja
Voorlicht	Ja
Applicatie	Nee
Geluidssignaal	Ja
Achterlicht	Ja
Bluetooth	Ja
Klimmogelijkheid	10°

XII. Overige

1. Fabricatiedatum staat op het Productlabel

2.  Opslag

Bewaar dit product op een droge, koele en veilige plek, vermijd vocht en hoge temperaturen. Vochtigheid kan elektrische componenten beschadigen. Wanneer de lithiumaccu een defect vertoont, neemt u contact op met uw gemeente voor informatie over het wegwerpen van de lithiumaccu volgens de nationale en lokale wet- en regelgeving.

- Bedrijfstemperatuur: -10-60°C
- Oplaadtemperatuur: 10-45°C
- Opslag- en transporttemperatuur: -10-45°C
- Opslagvochtigheid: 10-80%

3. Dit product mag niet worden weggeworpen bij het huishoudelijk afval. Recycle het product om milieuvervuiling te beperken tot een minimum en houd u aan de plaatselijke regelgeving. Neem contact op met uw gemeente of afvalverwerkingsdienst.

4. 1) Apparaten zijn niet bedoeld voor gebruik op een hoogte groter dan 2000 meter boven zeeniveau.

2) Langdurige blootstelling aan uv-straling, regen en andere weersomstandigheden kan het materiaal van de behuizing beschadigen. Berg het binnenshuis op wanneer het niet wordt gebruikt.

3) WAARSCHUWING - brandgevaar - geen onderdelen die door de gebruiker kunnen worden gerepareerd.

EU-verklaring van conformiteit

Wij,

Acer Incorporated

8F, 88, Sec. 1, Xintai 5th Rd., Xizhi, New Taipei City 221, Taiwan

En,

Acer Italy s.r.l.

Viale delle Industrie 1/A, 20044 Arese (MI), Italy

Tel: +39-02-939-921, fax: +39-02 9399-2913

www.acer.it

Product: Acer Elektrische step ES Series 5

Handelsnaam: acer

Modelnummer: AES015

SKU-nummer: AES015 *****

(* is "0-9", "a-z", "A-Z", "-", "of blanco")

Wij van Acer Incorporated verklaren geheel onder eigen verantwoordelijkheid dat het hierboven beschreven product voldoet aan de relevante harmonisatiewetgeving van de Unie: Machineryrichtlijn 2006/42/EU en de RoHS-richtlijn 2011/65/EU. De volgende geharmoniseerde standaarden en/of andere relevante standaarden zijn van toepassing:

EN 17128:2020

EN 301 489-17 V3.2.4

EN 300 328 V2.2.2

EN 62479:2010

EN 301 489-1 V2.2.3

EN IEC 63000:2018

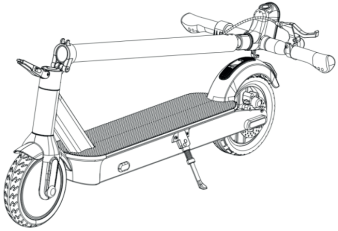




Beginjaar voor het aanbrengen van de CE-markering 2022.



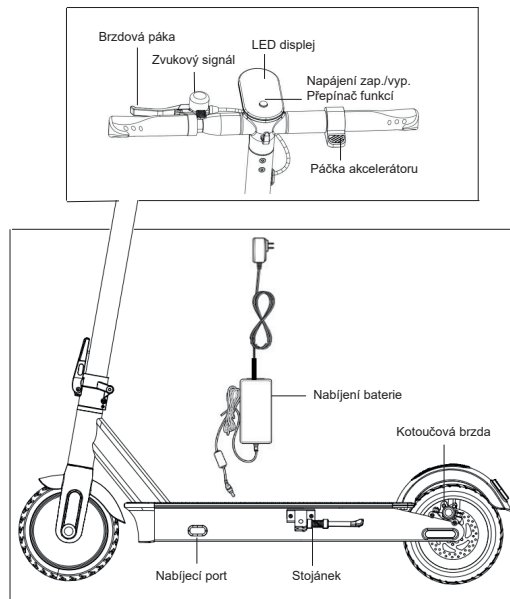
RU Jan / Sr. Manager
Acer Incorporated (Taipei, Taiwan)

5/16/2022
Datum

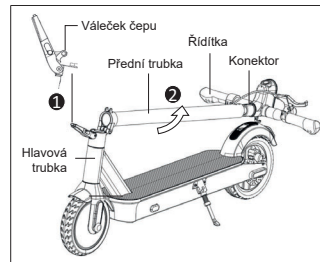
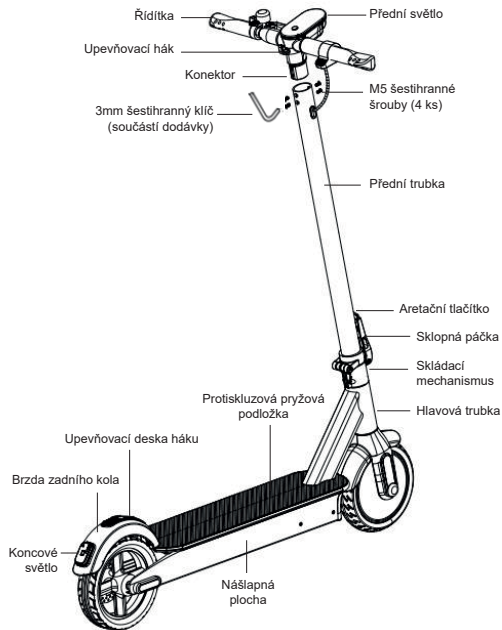
I. Obsah balení

Koloběžka *1	
3mm šestihřanný klíč *1	
Návod k použití *1	
Nabíječka baterie *1	
M5*14L šroub se zápusťnou hlavou *4 ks	

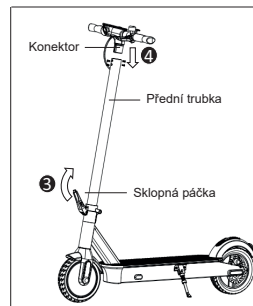
II. Díly



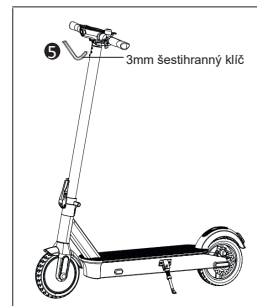
III. Montáž



- 1 Úplně otevřete sklopnou páčku, aby se odkryl váleček čepu.
- 2 Zvedněte přední trubku spolu s konektorem a řídítky do úrovně hlavové trubky.



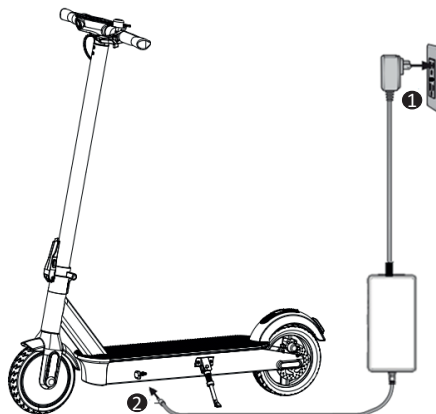
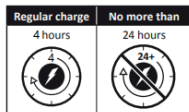
- 3 Sklopnou páčku zajistěte.
- 4 Vložte konektor do přední trubky.



- 5 Utáhněte všechny čtyři šestihřanné šrouby na přední trubce pomocí 3mm šestihřanného klíče, který je součástí dodávky.

IV. Dobití baterie

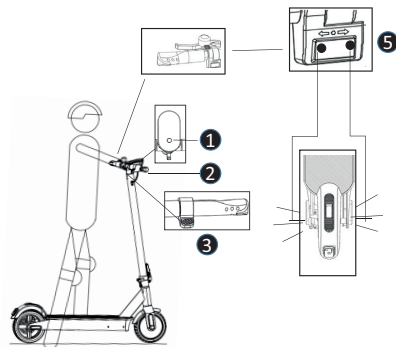
Poznámka: Kontrolka nabíječky je při nabíjení **červená** a po dokončení nabíjení se změní na **zelenou**.



V. POUŽÍVÁNÍ

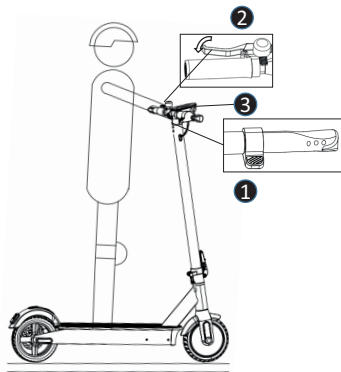
Spuštění koloběžky

1. Koloběžku zapněte stisknutím a podržením tlačítka napájení po dobu 3 sekund.
Jednou krátce stisknete tlačítko napájení pro zapnutí/vypnutí světl.
Pro přepnutí regulace rychlosti stisknete tlačítko napájení dvakrát za sebou.
Pro přepnutí mezi km/h a m/h stisknete 3 krát za sebou tlačítko napájení.
2. Řídítka držte pevně oběma rukama.
3. Jednou nohou stoupněte na nášlapnou plochu, druhou nohou se odrazte od země, abyste zrychlili, a jemně stisknete páčku akceleračního.
4. Po rozjetí se oběma nohama postavte na nášlapnou plochu.
5. Turn signal (optional).



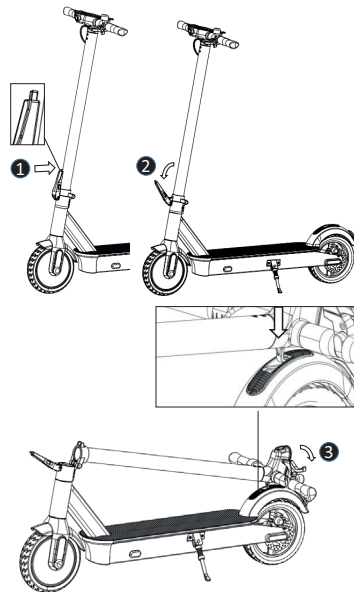
Zastavení koloběžky

1. Uvolněte páčku akcelérátoru.
2. Brzděte stisknutím páky přední ruční brzdy.
3. Pokud koloběžku nepoužíváte, stiskněte tlačítko napájení.



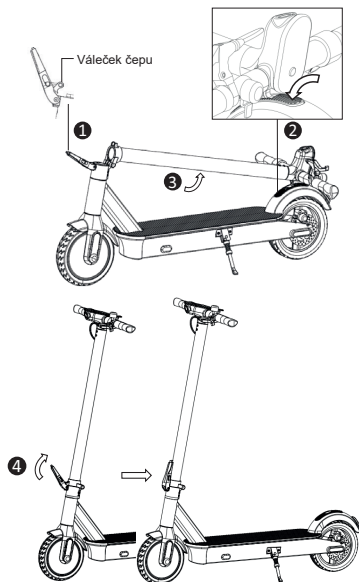
Složení koloběžky

1. Stiskněte aretační tlačítko.
2. Uvolněte sklopnou páčku.
3. Odklopte přední trubku a zajistěte upevňovací hák k upevňovací desce na brzdě zadního kola.



Rozložení koloběžky

1. Úplně otevřete sklopnou páčku, aby se odkryl váleček čepu.
2. Zatlačte na upevňovací desku háku, aby se fixační hák uvolnil.
3. Zvedněte přední trubku.
4. Sklopnou páčku zajistěte.



VI. Řešení problémů

Význam a řešení chybových kódů

Chybový kód	Úvod	Řešení
0E	Nízký stav baterie	Plně nabijte baterii
1E	Příliš nabitá baterie	Odpojte nabíječku. Pokud chybový kód nezmizí, obraťte se na autorizované servisní středisko.
2E	Selhání řídicí jednotky	Obraťte se na autorizované servisní středisko.
3E	Přehřátí řídicí jednotky, spuštění ochranného programu	Koloběžku prozatím nepoužívejte. Počkejte, až teplota klesne, a zkuste to znovu.
4E	Signální vedení se mohlo uvolnit nebo vypadnout	Obraťte se na autorizované servisní středisko.
5E	Uvolněné spojení mezi motorem a řídicí jednotkou	Obraťte se na autorizované servisní středisko.
6E	Porucha akcelérátoru	Obraťte se na autorizované servisní středisko.
7E	Porucha brzdového systému	Obraťte se na autorizované servisní středisko.

Význam a řešení chybových kódů		
8E	Nadměrný proud, spuštění ochranného programu	Zastavte koloběžku a spusťte ji znovu později. Pokud chybový kód nezmizí, obraťte se na autorizované servisní středisko.
9E	Zablokovaný rotor motoru	Zastavte koloběžku a spusťte ji znovu později. Pokud chybový kód nezmizí, obraťte se na autorizované servisní středisko.

Baterie se nenabíjí

Řešení:

1. Zástrčka není správně zasunuta.
2. Nabíječka je poškozená, použijte novou nabíječku.
3. Zapojení baterie je uvolněné, znovu připojte svorky.

Nedostatečný počet ujetých kilometrů po nabití

Řešení:

1. Nedostatečné nabití, nabijte baterii plně.
2. Jízda do kopce a silný protivítr, velký náklad, špatný povrch vozovky a nízká teplota.
3. Svorky připojené mezi baterií a nabíjecím portem jsou uvolněné, znovu je připojte.

Příliš nízká rychlost

Řešení:

1. Napětí baterie je příliš nízké, baterii plně nabijte.

Brzda nefunguje

Řešení:

1. Brzdové lanko je příliš dlouhé, dotáhněte ho.
2. Pokud je brzdová destička poškozená, vyměňte ji.

Poznámka: Při zjištění poruchy se obraťte na autorizované servisní středisko. Koloběžku neopravujte ani neupravujte sami, může to způsobit omezení záruky a zranění.

VII. JÍZDA A BEZPEČNOST

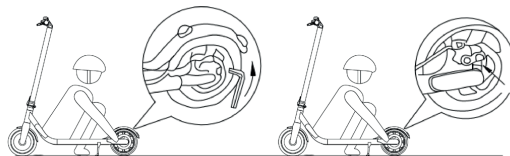
Pro používání tohoto zařízení je nutný určitý proces učení. Používání bez správného procesu učení může vést ke zraněním. Používejte ochranné prvky, abyste zabránili poškození. Po dokončení těchto kroků můžete elektrickou koloběžku zapnout:



NASTAVENÍ BRZD

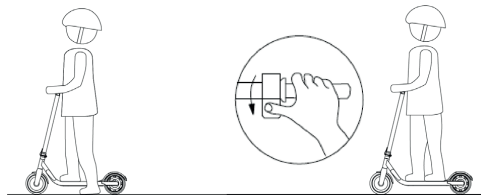
Před každou jízdu zkontrolujte brzdy. Pokud máte pocit, že je brzda příliš utažená, povolte šestihřanným klíčem proti směru hodinových ručiček šrouby přítlačné destičky na uložení kotoučové brzdy, uvolněte brzdové vedení, abyste mírně zkrátíte jeho odkrytou délku, a utáhněte šrouby přítlačné destičky. Pokud máte pocit, že je brzda příliš volná, uvolněte šrouby na přítlačné destičce, přetáhněte brzdové lanko, aby se mírně prodloužilo, a poté šrouby na přítlačné destičce zajistěte.

UPOZORNĚNÍ! Při prudkém brzdění hrozí vážné zranění v důsledku ztráty trakce a pádu. Udržujte mírnou rychlost a dávejte pozor na potenciální nebezpečí.



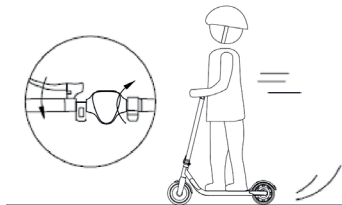
POUŽÍVÁNÍ

Jednu nohu mějte na nášlapné ploše a druhou na zemi. Odrazte se nohou o zem a až rychlost dosáhne 3 km/h, začněte zrychlovat. Druhou nohu držte na nášlapné ploše a přiměřeně zrychlujte nebo udržujte určitou rychlost. Tato akce je nutná pro zahájení jízdy z hlediska vaší bezpečnosti.

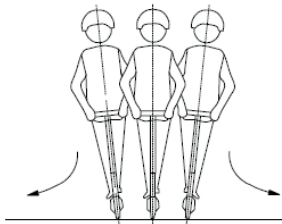


KONSTANTNÍ RYCHLOST

Pokud budete držet akcelerátor stisknutý, rychlost se ustálí, což zvyšuje komfort jízdy. Chcete-li tuto funkci zrušit, aktivujte brzdu.

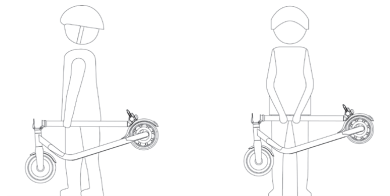


Při zatáčení je třeba mít mírný náklon.



SKLÁDÁNÍ A PŘEPRAVA

Po složení držte elektrickou koloběžku za trubku a přepravujte ji podle obrázku:



! **Varování: nedodržení těchto pokynů může vést k vážnému zranění.**

- Na elektrické koloběžce **NEJEZDĚTE** za deště.
- **NENECHTE** koloběžku zmoknout.
Při průjezdu dveřmi si dávejte pozor na hlavu.
Při jízdě přes zpomalovací retardéry, vjezdy do výtahu, hrbolaté silnice nebo jiné nerovné povrchy udržujte rychlost v rozmezí 5 až 10 km/h. Mírně pokrčte kolena, abyste tyto povrchy lépe tlumili.
- **NENECHÁVEJTE** nohy na zadním blatníku.
- Při chůzi s elektrickou koloběžkou **NEMAČKEJTE** plyn.
Dbejte na to, aby pneumatiky/kola nepřicházely do kontaktu s překážkami.
- Na řídítka **NEDÁVEJTE** těžké předměty.
- Na elektrické koloběžce **NEJEZDĚTE** pouze s jednou nohou.
- **NEJEZDĚTE** po veřejných a rychlostních komunikacích ani dálnicích.
- Při jízdě vysokou rychlostí **NEOTÁČEJTE** řídítka prudce.
- Po schodech **NEJEZDĚTE** nahoru a dolů a neskákejte přes překážky.
- Během jízdy **NESUNDÁVEJTE** ruce z řídítek. Při jízdě se nedržte pouze jednou rukou.

- **NEJEZDĚTE** přes kaluže ani jiné (vodní) překážky. V takovém případě snižte rychlost a překážku objeďte.
- **NEPŘEPRAVUJTE** žádné cestující. Elektrická koloběžka je určena pouze pro jednoho jezdce.
- Nevozte dítě.
- Nejezděte v těhotenství.
- Při jízdě na elektrické koloběžce **NEPOUŽÍVEJTE** mobilní telefon ani sluchátka.
- Po jízdě se **NEDOTÝKEJTE** nábojového motoru, protože může být horký.
- Vždy mějte obě ruce na řídicích, jinak hrozí vážné zranění v důsledku ztráty rovnováhy a pádu.
- Používat pouze za suchého počasí.
- Nedoporučujeme používat na veřejných komunikacích.
- Při rychlé jízdě nikdy prudce nezatačejte.
- Nerozjíždějte se ani nezastavujte náhle.
- Ujistěte se, že rychlost elektrické koloběžky je bezpečná pro vás i ostatní, a buďte připraveni za jízdy kdykoli zastavit.
- Při jízdě na elektrické koloběžce se držte v dostatečné vzdálenosti od ostatních, aby nedošlo ke kolizi.
- Při zatáčení musíte využívat těžiště svého těla; prudká změna těžiště může způsobit poškození.
- Pravidelně kontrolujte ložiska, zda nejsou vlhká a znečištěná. Ložiska vysušte a vyčistěte. V případě potřeby ložiska po vyčištění namažte. K tomuto účelu používejte pouze vhodná maziva. Zkontrolujte také polohu řízení, abyste se ujistili, zda je tento výrobek bezpečný.
- Nesmí být prováděny žádné jiné úpravy než podle pokynů výrobce.
- Kdy mohou samojistné matice a další samojistné upevňovací prvky ztratit svou účinnost.
- Vyhněte se jízdě na strmých svazích.

VIII. ČIŠTĚNÍ A ÚDRŽBA

Tato elektrická koloběžka může být používána jako dopravní prostředek a jako taková vyžaduje údržbu všech svých součástí, které se v důsledku používání opotřebovávají a na které se nevztahuje záruka.

ČIŠTĚNÍ

Před čištěním se ujistěte, že je elektrická koloběžka vypnutá, nabíjecí kabel je odpojený a gumová krytka na nabíjecím portu je pevně uzavřená; jinak můžete poškodit elektronické součásti. Vždy nejprve odpojte produkt od nabíječky, zakryjte nabíjecí vodotěsnou zástrčku, vypněte napájení produktu a zabraňte kontaktu tekutin s baterií, motorem a dalšími elektronickými součástmi během čištění, abyste předešli nepředvídanému nebezpečí. K čištění výrobku nepoužívejte vysokotlaký proud vody ani jej nenamáčejte do vody.

K čištění elektrické koloběžky použijte vlhký hadřík. Pokud potřebujete nečistoty oškrábat, použijte měkký kartáč a poté vlhký hadřík.

Nezapomeňte zakrýt nabíjecí port, abyste předešli problémům s elektronickými součástmi.

Nepoužívejte alkohol, benzín, petrolej ani jiné těkavé nebo žíravé chemické složky. Mohlo by to poškodit vzhled i vnitřní konstrukci elektrické koloběžky. Nepoužívejte také tlakovou vodní pistoli ani tekoucí vodu.

USKLADNĚNÍ

Pokud elektrickou koloběžku nepoužíváte, skladujte ji v chladném a suchém prostředí. Nenechávejte ji venku, protože není vyrobena pro použití ve vlhku, v blízkosti korozivních látek, jako je mořská voda, přístavy apod. Rovněž se nedoporučuje vystavovat ji dlouhodobě vysokým teplotám způsobeným přímým slunečním zářením.

IX. MANIPULACE S BATERIÍ A ZAKÁZANÉ ČINNOSTI

Nepoužívejte jiné modely nebo značky baterií, používejte pouze originální baterii.

Neumísťujte baterii do prostředí s vysokými teplotami vyššími než 50 °C nebo nižšími než -20 °C (například v létě neumísťujte elektrickou koloběžku do kufru auta) a neumísťujte baterii do blízkosti ohně. V opačném případě může dojít k selhání baterie, přehřátí a dokonce k nebezpečí požáru.

Vyvarujte se úplného vybití baterií, je lepší je nabíjet, dokud jsou ještě nabitě. Tím se prodlouží životnost baterie. Také pokud jezdíte na elektrické koloběžce ve velmi chladných nebo teplých oblastech, můžete zkrátit dobu používání baterií. Nejedná se o poruchu baterií, ale o jejich normální chování.

Pokud baterii nepoužíváte déle než 30 dní, plně ji nabijte a uložte na chladném a suchém místě a každých 60 dní ji plně nabijte. Při nedodržení těchto pokynů by mohlo dojít k poškození baterie, na které se nevztahuje záruka.

Je zakázáno demontovat prostor pro baterie. Manipulace s ním je povolena pouze v oficiálních technických službách nebo v příslušných dílnách.

K nabíjení používejte pouze originální nabíječku, jinak hrozí nebezpečí poškození nebo požáru.

Nevhodná likvidace použitých baterií může způsobit vážné znečištění životního prostředí. Při likvidaci baterie dodržujte místní předpisy.

Po každém použití baterii nabijte, prodloužíte tím její životnost.

NEBEZPEČÍ

Bateriový článek obsahuje hořlavé a nebezpečné látky. Nesprávná manipulace může způsobit požár, kouř, výbuch a vážné zranění osob nebo poškození majetku. Vždy si přečtěte a dodržujte následující zakázané činnosti a vybavte se vhodnými ochrannými pomůckami před prováděním jakýchkoli kroků souvisejících s baterií.

Aby nedošlo k nehodě, uchovávejte baterii mimo dosah kojenců a dětí. Pokud baterii používají mladší děti, měli by jim jejich opatrovníci před použitím vysvětlit správný způsob manipulace a bezpečnostní opatření a vždy zajistit neporušenost baterie.

Používejte pouze vyhrazenou nabíječku a nabíjejte baterii pouze vyhrazeným způsobem. Nenabíjejte baterii přímo z elektrické zásuvky nebo z nabíječky umístěné do automobilové zásuvky. Nenabíjejte baterii bez dozoru.

- Nenabíjejte baterii s obrácenou polaritou.
- Nenechávejte baterii v blízkosti ohně nebo zdroje tepla a nevhazujte ji do ohně.
- Nenabíjejte ani nepoužívejte baterii v autě nebo na podobném místě, kde může být vnitřní teplota vyšší než 50°C.
- Neponořujte, neházejte a nenamáčejte baterii do vody / mořské vody apod.
- Nezkratujte ani nespojujte kladné (+) a záporné (-) svorky s kovovými předměty. Neukládejte baterii do kapsy nebo tašky společně s kovovými předměty, jako jsou klíče, náhrdelníky, sponky do vlasů, mince nebo šroubky.
- Nepropichujte baterii ostrým předmětem, například jehlou nebo šroubovákem.
- Nezahlívejte žádnou oblast baterie horkými předměty, například pájkou.

- Netlučte do ní těžkými předměty, jako je kladivo nebo závaží. Na baterii nešlapejte, neházejte s ní a dbejte na to, aby vám neupadla, aby nedošlo k mechanickému nárazu. Nepoužívejte vážně deformovanou baterii.
- Baterii nerozebírejte ani neupravujte její konstrukci včetně elektrického obvodu.
- Nepájejte přímo na baterii a nepoužívejte ani nespojujte staré a nové baterie dohromady.
- Nevkládejte baterii do mikrovlnné trouby, sušičky nebo vysokotlaké nádoby.
- Nepoužívejte ani nesestavujte baterii s bateriemi jiných výrobců, s různými typy a/nebo modely baterií, jako jsou suché baterie, nikl-metalové vodíkové baterie nebo nikl-kadmiové baterie.

Při zjištění úniku nebo nepříjemného zápachu se okamžitě držte dál od ohně. Pokud vám kapalina unikne na kůži nebo oblečení, okamžitě ji dobře omyjte čistou vodou. Pokud se vám kapalina vytékající z baterie dostane do očí, netřete si je, vypláchněte si je čistou vodou a okamžitě vyhledejte lékaře. Pokud se svorky baterie znečistí, otřete je před použitím baterie suchým hadříkem.

Před likvidací zakryjte svorky vhodnou izolační páskou.

Před použitím / instalací / vyjmutím baterie nebo použitím nabíječky si vždy přečtěte uživatelskou příručku a dodržujte bezpečnostní opatření při manipulaci.

Vyměňte baterii, pokud je její výdrž mnohem kratší než obvykle.

Pokud je nutné baterii dlouhodobě skladovat, měla by být vyjmuta ze zařízení a uložena na místě s nízkou vlhkostí a teplotou.

Během nabíjení, používání a skladování baterii uchovávejte mimo dosah předmětů se statickou elektřinou.

Jako náhradu nelze použít nenabíjecí baterii.

Před vyřazením je nutné baterii ze spotřebiče vyjmout.

Při vyjímání baterie musí být spotřebič odpojen od elektrické sítě.

Baterii je třeba bezpečně zlikvidovat.

Nepoužívejte baterii v případě vzniku statické elektřiny (více než 100 V), došlo by k poškození ochranného obvodu baterie.

Baterii nevyměňte. Vyjmutí baterie je komplikované a může změnit provoz stroje. Pro provoz baterie se musíte obrátit pouze na autorizované servisní středisko.

Neskladujte ani nenabíjejte baterii při teplotách mimo stanovené limity (viz tento návod). Baterii nepropichujte. Řiďte se místními zákony a předpisy týkajícími se recyklace a/nebo likvidace baterií.

Dobře udržovaná baterie může dobře fungovat i po ujetí mnoha kilometrů. Po každé jízdě baterii nabijte a vyhněte se jejímu úplnému vybití.



UPOZORNĚNÍ

Při zjištění úniku nebo nepříjemného zápachu se okamžitě držte dál od ohně. Pokud vám kapalina unikne na kůži nebo oblečení, okamžitě ji dobře omyjte čistou vodou. Pokud se vám kapalina vytékající z baterie dostane do očí, netřete si je, vypláchněte si je čistou vodou a okamžitě vyhledejte lékaře. Pokud se svorky baterie znečistí, otřete je před použitím baterie suchým hadříkem.

Před likvidací zakryjte svorky vhodnou izolační páskou.

Před použitím / instalací / vyjmutím baterie nebo použitím nabíječky si vždy přečtěte uživatelskou příručku a dodržujte bezpečnostní opatření při manipulaci.

Vyměňte baterii, pokud je její výdrž mnohem kratší než obvykle.

Pokud je nutné baterii dlouhodobě skladovat, měla by být vyjmuta ze zařízení a uložena na místě s nízkou vlhkostí a teplotou.

Během nabíjení, používání a skladování baterii uchovávejte mimo dosah předmětů se statickou elektřinou.

Jako náhradu nelze použít nenabíjecí baterii.

Před vyřazením je nutné baterii ze spotřebiče vyjmout.

Při vyjímání baterie musí být spotřebič odpojen od elektrické sítě.

Baterii je třeba bezpečně zlikvidovat.

Nepokoušejte se baterii demontovat. Nedotýkejte se kontaktů baterie. Pouzdro nerozebírejte ani nepropichujte.

Kontakty baterie udržujte v dostatečné vzdálenosti od kovových předmětů, aby nedošlo ke zkratu. Nebezpečí požáru a úrazu elektrickým proudem. Nenabíjejte ani nepoužívejte baterii, pokud je poškozená nebo jsou na ní patrné stopy vody.

V případě nehody nebo poruchy: obraťte se na autorizovaný servis ve vaší zemi.

Uživatel musí kontaktovat autorizovaný nebo specializovaný zákaznický servis.

X. Nabíjení / vybíjení a skladování baterie



Upozornění: vždy dodržujte následující sdělení.

Používejte pouze originální nabíječku, nesprávné použití může způsobit zranění osob a poškození majetku. Záruka neplatí na škody způsobené použitím neoriginální nabíječky.

Nenabíjejte v blízkosti zdrojů tekutin / ohně, vždy se vyhněte hořlavým látkám. Nenechávejte zařízení během nabíjení bez dozoru.

Nenabíjejte, pokud je nabíjecí port nebo nabíjecí kabel mokrý.

Nenabíjejte ani nepoužívejte baterii, pokud je poškozená nebo jsou na ní patrné stopy vody.

Nabíjecí rozhraní je vybaveno speciálním slotem. Konektor nezasouvejte násilím, mohlo by dojít k poškození zařízení.

Když se baterie nabíjí, indikátor nabíječky svítí červeně. Po dokončení nabíjení svítí indikátor zeleně.

Když indikátor nabíječky svítí zeleně, vyjměte nabíječku. Nadměrné nabíjení nebo nadměrné vybíjení způsobí nevratné poškození baterie nebo poškození majetku. Pokud se indikátor nabíječky při nabíjení po jízdě okamžitě rozsvítí zeleně, odpojte nabíječku a nechte baterii před nabíjením vychladnout. Jedná se o běžný jev inteligentní ochrany v důsledku vysoké vnitřní teploty baterie. Nabíjení lze zahájit po vychladnutí baterie.

Pokud není baterie plně nabitá ani po následující doporučené době, přestaňte nabíjet a odpojte nabíječku. Pro další informace kontaktujte zákaznický servis.

Nabíjecí port musí být po každém nabíjení zakryt přiloženou gumovou krytkou.

Při manipulaci s baterií vždy dbejte zvýšené opatnosti.

Pokud se baterie abnormálně zahřívá nebo pokud během používání, nabíjení nebo skladování zjistíte zápach, změnu barvy, deformaci nebo jiný abnormální stav, přestaňte ji používat.

Baterii lze používat v následujících teplotních rozmezích. Tato rozmezí nepřekračujte.

Provozní teplota: -10–60 °C (výkon baterie závisí na teplotě)

Teplota při nabíjení: 10–45 °C

Skladovací a přepravní teplota: -10–45 °C

Skladovací vlhkost: 10-80%

XI. Informace o používání

Název produktu	Elektrická koloběžka Acer ES řada 5
Model	AES015
Rozměry v rozloženém stavu	118 D x 49 Š x 125 V (cm)
Rozměry ve složeném stavu	118 D x 49 Š x 55 V (cm)
Hmotnost včetně baterie	18,5 kg
Motor	350 W
Baterie	15 Ah
Typ baterie	lithium-iontová
Výrobce baterie	TIANHONG
Nabíjení	42 V/2,0 A
Výrobce adaptéru: FUYUANDIAN, č. modelu: FY-4202000	
Plná doba nabíjení	4 hodiny
Maximální rychlost	20 km/h nebo 25 km/h (v závislosti na předpisech dané země)
Maximální vzdálenost bez nabíjení	60 km
Regulace rychlosti	ano
Rychlostní režimy	3
Úroveň rychlostních režimů	0–6 km/h; 0–10 km/h; 0–20 nebo 25 km/h (v závislosti na předpisech dané země)
Skládací mechanismus	Ano
Hlavní materiál	nášlapná plocha z hliníkové slitiny, ocelová přední trubka
Maximální zatížení	až 100 kg
Světelná výška	11 cm
Výškově nastavitelná rukojeť	ne
Brzdy	přední elektronická brzda a zadní kotoučová brzda

Displej	LED displej
Absorbér kola	Ano
Kola	kolo s plnou pneumatikou
Materiál pneumatiky	pryž
Pohonná jednotka	Pohon předních kol
Průměr kol	10"
Vodotěsnost	IPX4
Odrázky	ano
Přední světlo	ano
Aplikace	ne
Zvukový signál	ano
Podsvícení	ano
Bluetooth	ano
Schopnost jízdy do svahu	10°

XII. Jiné

1. Datum výroby je uvedeno na štítku výrobku

2.  Skladování

Tento výrobek skladujte na suchém, chladném a bezpečném místě, vyhněte se vlhkosti a vysokým teplotám. Vlhkost může způsobit poškození elektrických součástí. Pokud lithiová baterie selže, obraťte se na místní recyklační agenturu a zlikvidujte lithiovou baterii v souladu s vnitrostátními nebo místními zákony a předpisy.

- Provozní teplota: -10-60°C
- Teplota při nabíjení: 10-45°C
- Skladovací a přepravní teplota: -10-45°C
- Skladovací vlhkost: 10-80%

3. Tento produkt nesmí být likvidován společně s ostatním domovním odpadem. Recyklujte jej, abyste minimalizovali znečištění životního prostředí v souladu s místními předpisy, nebo se obraťte na místní městský úřad, službu likvidace domovního odpadu.

4. 1) Zařízení nejsou určena k použití v nadmořské výšce nad 2000 m n. m.

2) Dlouhodobé vystavení UV záření, dešti a povětrnostním vlivům může poškodit materiál krytu. Když zařízení nepoužíváte, skladujte je v interiéru.

3) VAROVÁNÍ – nebezpečí vznícení – žádné uživatelem opravitelné díly.

Acer Incorporated
8F, 88, Sec. 1, Xintai 5th Rd., Xizhi
New Taipei City 221, Taiwan

EU prohlášení o shodě

My,

Acer Incorporated

8F, 88, Sec. 1, Xintai 5th Rd., Xizhi, New Taipei City 221, Tchaj-wan

a,

Acer Italy s.r.l.

Viale delle Industrie 1/A, 20044 Arese (MI), Italy

Tel: +39-02-939-921, Fax: +39-02 9399-2913

www.acer.it

Produkt: Elektrická koloběžka Acer ES řada 5

Obchodní název: acer

Číslo modelu: AES015

Číslo SKU: AES015 *****

(***=0-9, a-z, A-Z nebo mezera)

My, společnost Acer Incorporated, tímto prohlašujeme na vlastní odpovědnost, že produkt popsáný výše je ve shodě s příslušnými právními předpisy Unie o harmonizaci: Směrnice o strojních zařízeních 2006/42/ES a směrnice RoHS 2011/65/EU. Použity byly následující harmonizované normy a/nebo další příslušné normy:

EN 17128:2020

EN 301 489-17 V3.2.4

EN 300 328 V2.2.2

EN 62479:2010

EN 301 489-1 V2.2.3

EN IEC 63000:2018

Rok, kdy se začne používat označení CE: 2022.

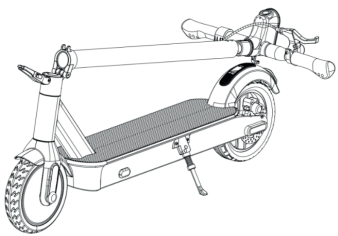




RU Jan / sr. manažer

Acer Incorporated (Taipei, Tchaj-wan)

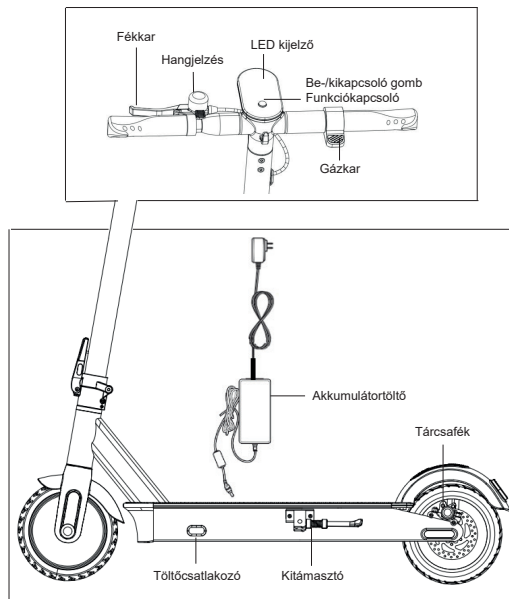
5/16/2022

Datum

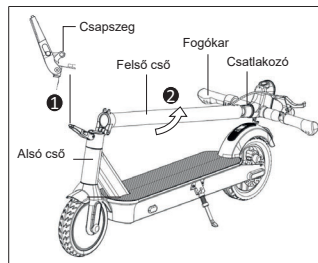
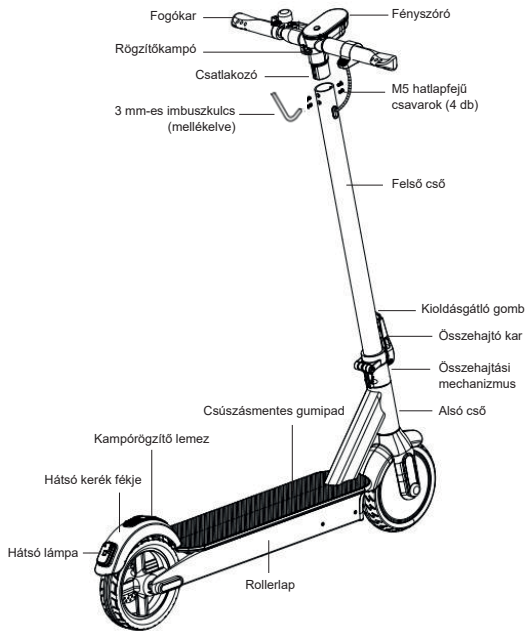
I. A doboz tartalma

Roller *1	
3 mm-es imbuszkulcs *1	
Felhasználói útmutató *1	
Akkumulátortöltő *1	
M5*14L süllyesztett csavar *4 DB	

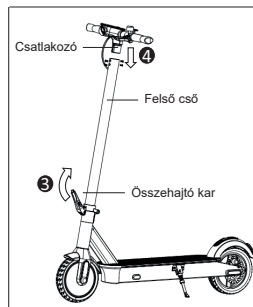
II. Alkatrészek



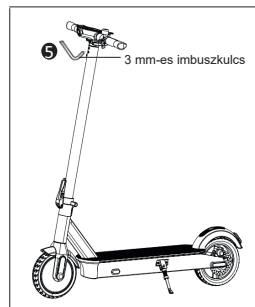
III. Összeszerelés



- 1 Teljesen nyissa ki a kihajtható kart a csapszeg eléréséhez.
- 2 Emelje fel az felső csövet, amelyen a csatlakozó és a fogókar található, és igazítsa hozzá az alsó csőhöz.



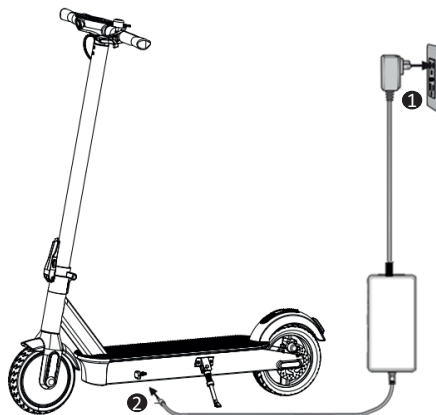
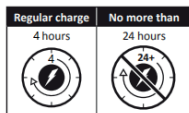
- 3 Zárja le az összehajtó kart.
- 4 Helyezze a csatlakozót a felső csőbe.



- 5 A mellékelt 3 mm-es imbuszkulccsal húzza meg a 4 hatlapfejű csavart a felső csővön.

IV. Az akkumulátor töltése

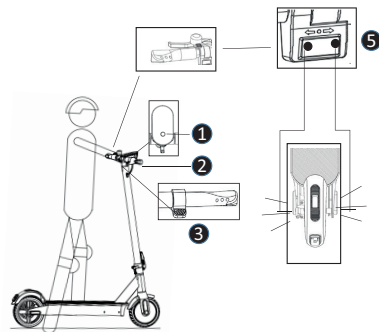
Megjegyzés: Feltöltés alatt a töltő **piros** színnel világít, és a töltés befejezésekor **zöldre** vált.



V. HASZNÁLAT

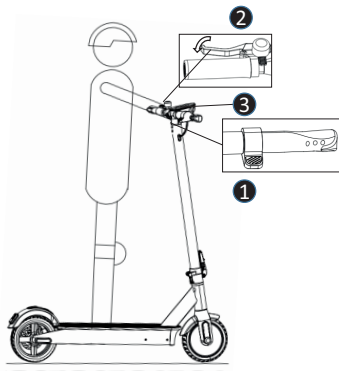
A roller elindítása

1. Tartsa lenyomva a bekapcsoló gombot 3 másodpercig a roller bekapcsolásához.
Nyomja le röviden egyszer a bekapcsoló gombot a fény be-/kikapcsolásához.
Nyomja le kétszer gyorsan a bekapcsoló gombot a sebességkorlátozások közötti váltáshoz.
Nyomja le háromszor gyorsan a bekapcsoló gombot a km/h és a mp/h közötti váltáshoz.
2. Két kézzel határozottan fogja meg a fogókart.
3. Egy lábbal lépjen a rollerlapra, másik lábával rugaszkodjon el a talajtól, hogy felgyorsuljon, és óvatosan nyomja le a gázkart.
4. Elindulás után mindkét lábban álljon fel a rollerlapra.
5. Turn signal (optional).



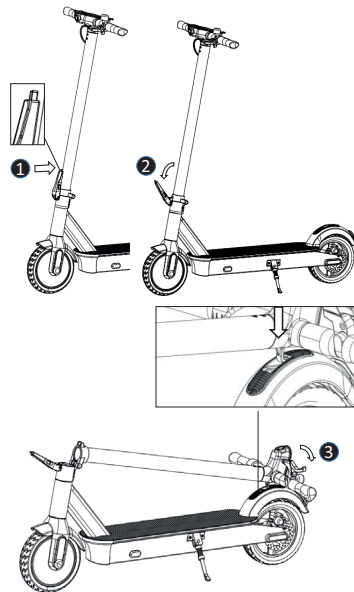
A roller megállítása

1. Engedje ki a gázkart.
2. Fékezéshez nyomja le az elülső fékkart.
3. Ha nem használja, kapcsolja ki a bekapcsoló gombot.



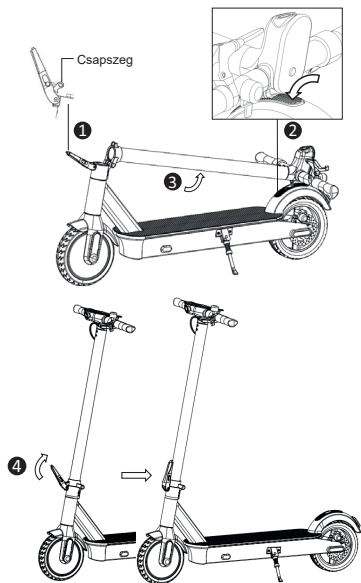
A roller összehajtása

1. Nyomja le a kioldásgátló gombot.
2. Oldja ki a hajtókart.
3. Hajtsa vissza a felső csövet és rögzítse a rögzítőkampót a hátsó kerék fékjénél lévő rögzítőlemezhez.



A roller kinyitása

1. Teljesen nyissa ki a kihajtható kart a csapszeg eléréséhez.
2. Nyomja le a kampós rögzítőlemezt a rögzítőkampó kioldásához.
3. Emelje fel az felső csövet.
4. Zárja le az összehajtó kart.



VI. Hibaelhárítási módszer

A hibakódok bemutatása és a hibaelhárítási javaslatok

Hibakód	Bemutató	Hibaelhárítási javaslat
0E	Alacsony töltöttség	Töltse fel teljesen az akkumulátort
1E	Túltöltött akkumulátor	Vegye le a töltőt. Kérjük, lépjen kapcsolatba a hivatalos szervizzel, ha a hibakód nem szűnik meg.
2E	Vezérlőhiba	Kérjük, lépjen kapcsolatba a hivatalos szervizzel.
3E	Túlmelegedés a vezérlőn, indítsa el a védelmi programot	Kérjük, ne használja tovább a rollert. Várjon, amíg a készülék hőmérséklete lecsökken, és próbálja újra.
4E	A jelkábel gyenge vagy megtört	Kérjük, lépjen kapcsolatba a hivatalos szervizzel.
5E	Laza csatlakozás a motor és a vezérlő között	Kérjük, lépjen kapcsolatba a hivatalos szervizzel.
6E	Gyorsulási hiba	Kérjük, lépjen kapcsolatba a hivatalos szervizzel.
7E	Fékrendszer-hiba	Kérjük, lépjen kapcsolatba a hivatalos szervizzel.

A hibakódok bemutatása és a hibaelhárítási javaslatok		
8E	Túláram, indítsa el a védelmi programot	Állítsa le a rollert és indítsa újra később. Kérjük, lépjen kapcsolatba a hivatalos szervizzel, ha a hibakód nem szűnik meg.
9E	A motor zárolta a rotort	Állítsa le a rollert és indítsa újra később. Kérjük, lépjen kapcsolatba a hivatalos szervizzel, ha a hibakód nem szűnik meg.

Az akkumulátor nem tölt

Hibaelhárítási módszer:

1. A csatlakozó nincs megfelelően csatlakoztatva.
2. A töltő sérült, használjon új töltőt.
3. Az akkumulátor csavarja meglazult, csatlakoztassa újra az érintkezőket.

Nincs elegendő mérföldteljesítmény töltés után

Hibaelhárítási módszer:

1. Nincs elegendő töltöttség, töltsse fel teljesen az akkumulátort.
2. Dombra felfelé és erős ellenszélben, nehéz teher, gyenge útfelület és alacsony hőmérséklet.
3. Az akkumulátor és a töltőcsatlakozó közötti érintkezők meglazultak; csatlakoztassa újra az érintkezőket.

Túl alacsony sebesség

Hibaelhárítási módszer:

1. Az akkumulátor feszültsége túl alacsony, töltsse fel teljesen az akkumulátort.

A fék nem működik

Hibaelhárítási módszer:

1. A fék kábele túl hosszú, húzza meg a fék kábelét.
2. Ha a fékbetét sérült, cserélje ki egy eredeti típusúra.

Megjegyzés: Ha helytelen működést tapasztal, kérjük, lépjen kapcsolatba a hivatalos szervizzel. Ne javítsa vagy módosítsa saját kezűleg a rollert, mivel ezzel elveszíti a jótállást, továbbá sérüléseket okozhat.

VII. UTAZÁS ÉS BIZTONSÁG

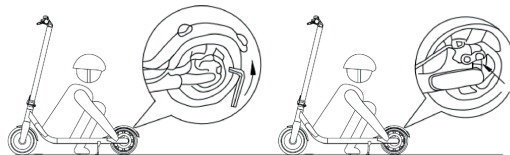
Az eszköz használatához végig kell csinálni a tanulási folyamatot. A helyes használat megtanulása nélkül sérülést szenvedhet. A sérülések megelőzése érdekében használjon védőfelszerelést. Ha elvégezte az alábbi lépéseket, kapcsolja be az elektromos rollert:



A FÉK BEÁLLÍTÁSA

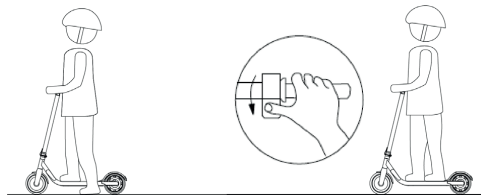
A roller minden használata előtt ellenőrizze a fékeket. Ha úgy érzi, a fék túl feszes, akkor az imbuszkulccsal az óramutató járásával ellentétesen lazítsa meg a csavarokat a tárcsaféken található nyomólapon, engedje ki a fékhuzalt, hogy kissé rövidebb legyen a hosszúsága, és húzza meg a nyomólapon lévő csavarokat. Ha úgy érzi, a fék túl laza, engedje ki a csavarokat a nyomólapon, húzza meg a fékhuzalt, hogy az kissé hosszabb legyen, majd húzza meg a nyomólapon lévő csavarokat.

FIGYELEM! Ha erősen fékez, akkor a vonóerő elvesztése elesést okozhat, amely súlyos sérüléshez vezethet. Tartson mérsékelt sebességet, és figyeljen a potenciális veszélyekre.



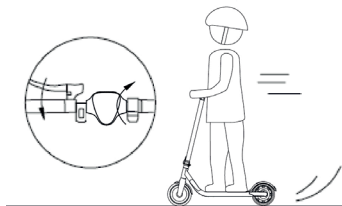
HASZNÁLAT

Egyik lábát helyezze a rollerlapra, a másikat tartsa a talajon. A talajon lévő lábával támassza meg magát, és amikor a sebesség eléri a 3 km/h értéket, kezdjen gyorsulni. Másik lábát tartsa a rollerlapon, és gyorsuljon egyenletesen vagy tartson egy bizonyos sebességet. Ez a művelet szükséges a biztonságos elindulás megtanulásához.

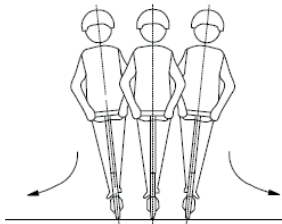


ÁLLANDÓ SEBESSÉG

Ha lenyomva tartja a gázkart, a sebesség rögzül, és nagyobb kényelemmel utazhat. A funkció visszavonásához aktiválja a féket.

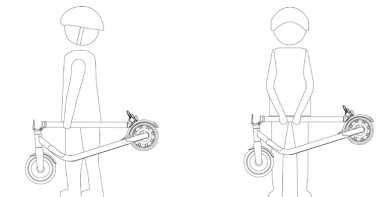


Keressen egy egyensúlyi testtartást a folyamatos körbe mozgáshoz:



ÖSSZEHAJTÁS ÉS SZÁLLÍTÁS

Összehajtás után az alábbi képen látható módon, a felső csónél tartsa az elektromos rollert:



Figyelem: az utasítások be nem tartása súlyos sérüléshez vezethet.

- NE használja az elektromos rollert esőben.
- NE hagyja, hogy nedves legyen. Ügyeljen a fejére, amikor ajtókon halad át. Sebességét tartsa 5 -10 km/h (3,1 - 6,2 mph) között, amikor sebességlassító bordákon, liftajtók küszöbén, göröngyös úton vagy egyéb egyenetlen felületen halad. Kissé hajtsa be térdét, hogy jobban alkalmazkodjon ezekhez a felületekhez.
- NE tartsa a lábát a hátsó sárvédőn.
- NE nyomja le a gázkart, amikor az elektromos roller mellett sétál. Kerülje a kerék/gumi akadályokkal való érintkezését.
- NE szállítson nehéz tárgyakat a fogókaron.
- NE egy lábbal álljon a rolleren haladás közben.
- NE használja a rollert közúton, autópályákon és autópályákon.
- NE fordítsa el durván a fogókart nagy sebességgel történő haladáskor.
- NE haladjon a rollerrel lépcsőn felfelé és lefelé, illetve ne ugorjon át vele akadályok fölött.

- NE engedje el a fogókart haladás közben. NE vezessen egy kézzel.
- NE hajtson át pocsolóyakon vagy bármilyen más (vizes) akadályon. Ilyen esetben csökkentse a sebességét és kerülje ki az akadályt.
- NE szállítson utasokat a rolleren. Az elektromos rolleren csak egy személy utazhat.
- NE szállítson gyereket a rolleren.
- Ne utazzon rollerrel, ha várandós.
- NE használja mobiltelefonját és fülhallgatóját az elektromos roller használatakor.
- NE érintse meg a roller motorját használat után, mivel az felforrósodhat.
- Mindig két kézzel fogja a fogókart, különben az egyensúly elvesztését kockáztathatja, amely akár súlyos sérüléshez is vezethet.
- Csak száraz időben használja a rollert.
- Nem javasoljuk, hogy közúton használja a rollert.
- Soha ne kanyarodjon durván, amikor gyorsan halad.
- Ne induljon el és ne álljon meg hirtelen.
- Győződjön meg arról, hogy az elektromos roller sebessége biztonságos önre és másokra nézve, és haladás során bármikor képes megállni.
- Az elektromos roller vezetések az ütközések elkerülése érdekében tartson biztonságos távolságot másoktól.
- Kanyarodáskor használja teste súlypontját; a súlypont hirtelen változása sérülés okozhat.
- Rutinszerűen ellenőrizze a csapágyakat és távolítsa el a nedvesség és kosz nyomait Szárítsa meg és tartsa tisztán a csapágyakat Szükség esetén tisztítás után zsírozza meg azokat Csak az e célra megfelelő kenőzsírt használjon Továbbá ellenőrizze a kormányzási pozíciót annak érdekében, hogy a termék biztonságos legyen.
- Tilos a gyártó utasításaitól eltérő módosítások elvégzése.
- Az önzáró anyák és egyéb önzáró rögzítések elveszítethetik a hatékonyságukat.
- Kerülje az éles lejtőkön való elesést.

VIII. TISZTÍTÁS ÉS KARBANTARTÁS

Jelen elektromos roller szállítóeszközként használható, és mint ilyen, az összes kopóalkatrésze karbantartást igényel; ezeket a kopóalkatrészeket csak megegyező típusúra cserélje, továbbá a jótállás nem vonatkozik ezekre.

TISZTÍTÁS

Tisztítás előtt győződjön meg arról, hogy az elektromos roller KI van kapcsolva, a töltőkábel ki van húzva, és a töltőcsatlakozót fedő gumisapka szorosan le van zárva; egyénként károsodhatnak az elektromos alkatrészek. Először mindig válassza le a terméket a töltőről, zárja le a töltőcsatlakozót a vízálló kupakkal, kapcsolja ki a terméket, és kerülje el, hogy tisztítás során folyadék jusson az akkumulátorhoz, a motorhoz vagy az elektromos alkatrészekhez, mivel így előre nem látható veszélyt okozhat. Ne használjon nagynyomású vízugarat a termék tisztításához, és ne merítse vízbe a terméket.

Az elektromos roller tisztításához használjon nedves törülköndőt. Ha sarat kell lekaparnia, akkor először puha sörtejű kefét, majd nedves törülköndőt használjon.

Az elektromos alkatrészek meghibásodásának elkerülése érdekében mindig fedje le a töltőportot.

Ne használjon alkoholt, benzint, kerozint, egyéb illékony anyagot, vagy korrozív vegyianyagot. Ezzel nemcsak az elektromos roller külsejét, hanem a belső alkatrészeit is károsíthatja. Továbbá ne használjon magas nyomású tisztítót vagy folyóvizet.

TÁROLÁS

Amikor nem használja az elektromos rollert, hűvös, száraz helyen tárolja azt. Kerülje a kültéri tárolást, mivel a terméket nem úgy tervezték, hogy nedves helyen is használható legyen olyan korrozív anyagok jelenlétében, mint a tengervíz a kikötők közelében, stb. Szintén nem javasolt magas hőmérséklet hatásainak kitenni, pl. hosszú ideig a napfényben hagyni.

IX. AZ AKKUMULÁTOR KEZELÉSE ÉS TILTOTT MŰVELETEK

Ne használjon más típusú vagy más márkájú akkumulátort, csak az eredeti akkumulátort használja.

Ne tegye az akkumulátort olyan környezetbe, ahol a hőmérséklet 50°C-nál magasabb vagy -20°C-nál alacsonyabb (pl. ne helyezze az elektromos rollert a gépjármű csomagtartójába a nyári napokon), és ne tegye tűz közelébe az akkumulátort. Ezzel az akkumulátor meghibásodhat, túlmelegedhet vagy akár ki is gyulladhat.

Kerülje az akkumulátor teljes lemerülését, jobb akkor feltölteni, amikor még maradt némi töltöttsége. Ezzel meghosszabbíthatja az akkumulátor élettartamát. Ha nagyon hűvös vagy nagyon meleg területeken használja az elektromos rollert, akkor csökkenhet az akkumulátor használati ideje. Ez nem az akkumulátor hibája, ez a normál viselkedéséhez tartozik.

Ha több mint 30 napig nem szándékozik használni, tölts fel teljesen akkumulátort, és száraz, hűvös helyen tárolja azt, majd 60 naponta teljesen tölts fel akkumulátort. Amennyiben nem követi ezeket a lépéseket, azzal károsíthatja az akkumulátort, és a jótállás nem vonatkozik az ilyen jellegű károsodásra.

Tilos szétszerelni az akkumulátortartó rekeszt. Kizárólag a Hivatalos Műszaki Szolgáltató vagy a kijelölt Műhelyek végezhetnek módosításokat.

A feltöltéshez csak az eredeti töltőt használja, különben a termék károsodhat, vagy akár ki is gyulladhat.

A használt akkumulátorok helytelen módon való megsemmisítése súlyos környezeti károkat okozhat. Az akkumulátor megsemmisítésekor tartsa be a helyi rendelkezéseket.

Minden használat után tölts fel az akkumulátort, ezzel meghosszabbíthatja az akkumulátor élettartamát.



VESZÉLY!

Az akkumulátor cellái gyúlékony és veszélyes anyagokat tartalmaznak. A helytelen kezelés tüzet, füstöt, robbanást, illetve személyi vagy anyagi sérülést okozhat. Olvassa el és mindig tartsa be a következő tiltásokat, és az akkumulátorral kapcsolatos munkák elvégzése előtt vegyen fel megfelelő védőruházatot.

A balesetek elkerülése érdekében tartsa távol az akkumulátort gyerekektől. Ha kisgyerekek használják az akkumulátort, akkor használat előtt az őket felügyelő személy magyarázza el a megfelelő kezelési módot és az óvintézkedéseket, továbbá mindig biztosítsa az akkumulátor integritását.

Csak a kijelölt töltőt használja, és csak a kijelölt módon töltsé akkumulátort. Ne töltsé akkumulátort közvetlenül elektromos aljzatról vagy gépjárművek szivargyújtójáról. Feltöltéskor ne hagyja őrizetlenül az akkumulátort.

- Ne töltsé fordítva akkumulátort.
- Ne hagyja az akkumulátort tűz vagy egyéb hőforrás mellett, továbbá ne dobja tűzbe azt.
- Ne töltsé és ne használja az akkumulátort gépjárműben vagy hasonló helyen, ahol a beltéri hőmérséklet 50°C fölé emelkedhet.
- Ne merítse és ne dobja vízbe/tengervízbe az akkumulátort, illetve ne kerüljön víz/tengervíz az akkumulátorra.
- Ne zárja rövidre az akkumulátort, továbbá ne kösse össze a (+) pozitív és (-) negatív érintkezőit egy fémtárggyal. Ne tárolja együtt az akkumulátort zsebében vagy táskájában más fémtárggyal, pl. kulcs, nyaklánc, hajcsat, érme, csavar.
- Ne szúrja fel az akkumulátort éles tárgyakkal, pl. tű, csavarhúzó.
- Ne melegítse az akkumulátor részeit forró tárgyakkal, pl. forrasztópákával.

- Ne ütögesse nehéz tárgyakkal, pl. kalapács, súly. Ne álljon rá az akkumulátorra, illetve ne ejtse le vagy ne dobja le az akkumulátort, ezzel elkerülve a mechanikai sokkot. Ne használjon súlyosan deformált akkumulátort.
- Ne szerelje szét az akkumulátort, továbbá ne módosítsa az akkumulátor kialakítását, ideértve az elektromos áramkört is.
- Ne hegessze közvetlenül az akkumulátort, tovább ne használjon régi akkumulátort, illetve ne szereljen össze régi és új akkumulátorokat.
- Ne helyezze az akkumulátort mikrohullámú sütőbe, szárítóba vagy magas nyomású tartályba.
- Ne használja és ne szerelje össze az akkumulátort más gyártók akkumulátorával, különböző típusú és/vagy modellű akkumulátorral, pl. száraz akkumulátor, nikkel-fém hidrogén akkumulátor, vagy nikkel-kadmium akkumulátor.

Azonnal tartsa távol tüztől, ha szivárgást vagy kellemetlen szagot tapasztal. Ha folyadék jut a bőrére vagy ruházatára, azonnal mossa le alaposan friss vízzel. Ha az akkumulátorból származó folyadék a szembe kerül, ne dörzsölje szemét; ehelyett mossa meg tiszta vízzel, és haladéktalanul kérjen orvosi segítséget. Ha az akkumulátor érintkezői bepiszkolódnak, akkor az akkumulátor használata előtt törölje át azokat egy száraz törülközővel.

Ártalmatlanítás előtt zárja le az érintkezőket megfelelő szigetelőszalaggal. Az akkumulátor használata / telepítése / eltávolítása előtt vagy a töltő használata előtt, mindig olvassa el a használati kézikönyvet, és tartsa be a kezelési óvintézkedéseket.

Cserélje ki az akkumulátort, ha a használati idő jelentősen lerövidül.

Ha hosszabb ideig kénytelen tárolni az akkumulátort, akkor vegye ki az akkumulátort a termékből, és száraz, hűvös helyen tárolja azt.

Az akkumulátor feltöltésekor, használatakor és tárolásakor tartsa távol azt statikus elektromossággal rendelkező tárgyaktól.

Csereként ne használjon nem újratölthető akkumulátort.

Leselejtezés előtt ki kell venni az akkumulátort a termékből.

Az akkumulátor eltávolítása előtt a készüléket le kell választani az áramforrásról.

Az akkumulátort biztonságos módon kell ártalmatlanítani.

Ne használja az akkumulátort statikus elektromosság létrejöttékor (több mint 100 V), mivel megsérülhet az akkumulátor védőáramköre.

Ne távolítsa el az akkumulátort. Az akkumulátor eltávolítása bonyolult, és megváltoztathatja a készülék működését. Lépjen kapcsolatba a jogosultsággal rendelkező szervizközponttal az akkumulátor működtetéséhez.

Ne tárolja vagy töltsé az akkumulátort a meghatározott határértéknél magasabb kültéri hőmérséklet esetén (ld. a használati utasítást). Ne szurkálja az akkumulátort. Hivatkozzon a helyi törvényekre és rendelkezésekre az akkumulátor újrahasznosítását és/vagy megsemmisítését illetően.

A megfelelően karbantartott akkumulátor hosszabb használat után is jól teljesít. Minden utazás után töltsé fel az akkumulátort, és kerülje az akkumulátor teljes lemerülését.



FIGYELEM!

Azonnal tartsa távol tüztől, ha szivárgást vagy kellemetlen szagot tapasztal. Ha folyadék jut a bőrére vagy ruházatára, azonnal mossa le alaposan friss vízzel. Ha az akkumulátorból származó folyadék a szembe kerül, ne dörzsölje szemét; ehelyett mossa meg tiszta vízzel, és haladéktalanul kérjen orvosi segítséget. Ha az akkumulátor érintkezői bepiszkolódnak, akkor az akkumulátor használata előtt törölje át azokat egy száraz törlőkendővel.

Ártalmatlanítás előtt zárja le az érintkezőket megfelelő szigetelőszalaggal.

Az akkumulátor használata / telepítése / eltávolítása előtt vagy a töltés használata előtt, mindig olvassa el a használati kézikönyvet, és tartsa be a kezelési óvintézkedéseket.

Cserélje ki az akkumulátort, ha a használati idő jelentősen lerövidül.

Ha hosszabb ideig kénytelen tárolni az akkumulátort, akkor vegye ki az akkumulátort a termékből, és száraz, hűvös helyen tárolja azt.

Az akkumulátor feltöltésekor, használatakor és tárolásakor tartsa távol az statikus elektromossággal rendelkező tárgyaktól.

Csereként ne használjon nem újratölthető akkumulátort.

Leselejtezés előtt ki kell venni az akkumulátort a termékből.

Az akkumulátor eltávolítása előtt a készüléket le kell választani az áramforrásról.

Az akkumulátort biztonságos módon kell ártalmatlanítani.

Ne kísérelje meg szétszedni az akkumulátort. Ne érintse meg az akkumulátor érintkezőit. Ne szerelje szét és ne szurkálja a burkolatot.

A rövidzárlat elkerülése érdekében tartsa távol a fémtárgyakat az akkumulátor érintkezőitől. Tűz és elektromos áramütés veszélye. Ne töltsé és ne használja az akkumulátort, ha az sérült, vagy víz nyomai láthatóak rajta.

Baleset vagy meghibásodás esetén: kérjük, lépjen kapcsolatba az országban működő hivatalos szervizpartnerrel.

A felhasználó köteles kapcsolatba lépni a jogosultsággal rendelkező vagy speciális ügyfélszolgálattal.

X. Az akkumulátor feltöltése/lemerítése és tárolása



Figyelem: mindig kövesse az alábbi utasításokat.

Csak az eredeti töltőt használja; a helytelen használat személyi vagy anyagi károkat okozhat. A jótállás nem vonatkozik a nem eredeti töltő használatára által okozott károokra.

Ne töltsen az akkumulátort folyadék vagy tűz közelében, és mindig kerülje a gyúlékony anyagokat. Feltöltéskor ne hagyja őrizetlenül a készüléket.

Ne töltsen, ha a töltőcsatlakozó vagy a töltőkábel nedves.

Ne töltsen és ne használja az akkumulátort, ha az sérült, vagy víz nyomait tapasztalja.

A töltő felületen speciális nyílás található. Ne erőltesse a csatlakozó csatlakoztatását, mivel ezzel a készülék károsodását idézheti elő.

Az akkumulátor feltöltésekor a töltésszelző fény piros színű. A feltöltés befejezésekor a töltésszelző fény zöldre vált.

Ha a töltésszelző fény zöldre vált, válassa le a töltőt. A túltöltés vagy a túlzott lemerítés az akkumulátor visszafordíthatatlan károsodását, vagy anyagi károkat okozhat. Ha a használat utáni feltöltéskor a töltésszelző fény azonnal zöldre vált, akkor válassa le a töltőt, és várjon, amíg az akkumulátor lehűl, majd ismét kezdje meg a feltöltést. Ez az intelligens kialakítás normál jelensége, amelyet az akkumulátor magas hőmérséklete okoz. A feltöltés azután kezdhető meg, ha az akkumulátor lehűlt.

Állítsa le a feltöltést és válassa le a töltőt, ha a javasolt időtartam leteltével az akkumulátor nincs teljes mértékben feltöltve. További információért lépjen kapcsolatba az ügyfélszolgálatlal.

A töltőcsatlakozót minden töltés után zárja le a mellékelt gumikupakkal.

Az akkumulátor kezelésekor mindig kiemelt figyelemmel járjon el.

Hagyja abba az akkumulátor használatát, ha az rendellenesen felmelegedik, kellemetlen szagot áraszt, elszíneződik, deformálódik, vagy egyéb rendellenes állapotot tapasztal használat, feltöltés vagy tárolás alatt.

Az akkumulátor a következő hőmérséklet-tartományok esetén használható. Ne lépje túl ezeket a tartományokat.

Üzemi hőmérséklet: -10-60°C (Az akkumulátor teljesítménye a hőmérséklettől függően eltérhet)

Feltöltési hőmérséklet: 10-45°C

Tárolási és szállítási hőmérséklet: -10-45°C

Tárolási páratartalom: 10-80%

XI. Felhasználási információk

Terméknév	Acer Electric Scooter ES 5 sorozat
Modell	AES015
Méreték, kinyitva	H 118 x Sz 49 x M 125 (cm)
Méreték, összehajtva	H 118 x Sz 49 x M 55 (cm)
Súly, akkumulátorral együtt	18,5 kg
Motor	350 W
Akkumulátor	15 Ah
Akkumulátor típusa	lítium-ionos
Akkumulátor gyártója	TIANHONG
Feltöltés	42 V / 2,0 A
Adapter gyártója: FUYUANDIAN, Modell Szám: FY-4202000	
Teljes feltöltési idő	4 óra
Maximális sebesség	20 km/h vagy 25km/h (Az adott ország előírásaitól függően)
Maximális távolság feltöltés nélkül	60 km
Sebességkorlátozás	igen
Sebesség üzemmódok	3
Sebesség üzemmódok szintjei	0-6 km/h; 0-10 km/h; 0-20 vagy 25 km/h (Az adott ország előírásaitól függően)
Összehajtási mechanizmus	igen
Fő anyag	alumínium ötvözetű rollerlap, acél felső cső
Maximális terhelés	max. 100 kg
Magasság	11 cm
Állítható magasságú fogókar	nem
Fékek	első elektromos fék és hátsó tárcsafék

Kijelző	LED kijelző
Kerékcsoillapító	Igen
Kerekek	tömör gumikerék
Kerék anyaga	gumi
Meghajtóegység	Elsőkerék-meghajtás
Kerék átmérője	10"
Vízálló	IPX4
Fényvisszaverők	igen
Fényszóró	igen
Alkalmazás	nem
Hangjelzés	igen
Hátsó lámpa	igen
Bluetooth	igen
Felfelé haladási képesség	10°

XII. Egyebek

1. A gyártás dátuma a Termék címkéjén található

2.  Tárolás

A terméket száraz, hűvös és biztonságos helyen tárolja, kerülje a nedvességet és a magas hőmérsékletet. A magas páratartalom az elektromos alkatrészek sérülését idézheti elő. Ha a lítium akkumulátor meghibásodik, kérjük, lépjen kapcsolatba a helyi újrahasznosítási szolgáltatóval, és a nemzeti vagy helyi törvényeknek és rendelkezéseknek megfelelően ártalmatlanítsa a lítium akkumulátort.

- Üzemi hőmérséklet: -10-60°C
- Feltöltési hőmérséklet: 10-45°C
- Tárolási és szállítási hőmérséklet: -10-45°C
- Tárolási páratartalom: 10-80%

3. Jelen terméket tilos a háztartási hulladékkal együtt megsemmisíteni. Kérjük, környezetszennyezés minimalizálása érdekében a helyi rendelkezéseknek megfelelően hasznosítsa újra, vagy lépjen kapcsolatba a helyi városi hivatallal, és háztartási hulladékkezelő szolgáltatóval.

4. 1) A készülékek nem használhatók a 2000 m tengerszint feletti magasságban.

2) Az UV-sugaraknak, esőnek és az időjárás viszontagságainak való tartós kitétség károsíthatja a burkolat anyagát, ezért használaton kívül beltérben tárolja.

3) FIGYELMEZTETÉS - Tűzveszély - A felhasználó által nem javítható alkatrészek.

EU Megfelelőségi nyilatkozat

Mi,

Acer Incorporated

8F, 88, Sec. 1, Xintai 5th Rd. Xizhi, New Taipei City 221, Taiwan

Az,

Acer Italy s.r.l.

Viale delle Industrie 1/A, 20044 Arese (MI), Italy

Tel: +39-02-939-921, Fax: +39-02 9399-2913

www.acer.it

Termék: Acer Electric Scooter ES 5 sorozat

Kereskedelmi név: acer

Modellszám: AES015

Raktári egység száma: AES015 *****

(****=0-9, a-z, A-Z, vagy üres)

Mi, az Acer Incorporated kizárólagos felelősségünk mellett ezennel kijelentjük, hogy a fentiekben ismertetett termék megfelel a vonatkozó uniós jogszabályok harmonizációjáról szóló előírásoknak: 2006/42/EK irányelv a gépekről és 2011/65/EU RoHS irányelv. Az alábbi harmonizált szabványokat és/vagy más vonatkozó szabványokat alkalmaztuk:

EN 17128:2020

EN 301 489-17 V3.2.4

EN 300 328 V2.2.2

EN 62479:2010

EN 301 489-1 V2.2.3

EN IEC 63000:2018

A CE-jelölés alkalmazásának kezdete: 2022.



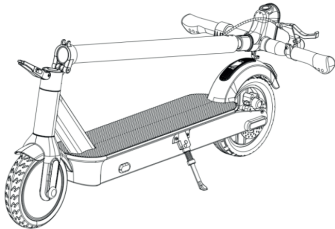




RU Jan / Felsővezető

Acer Incorporated (Taipei, Taiwan)

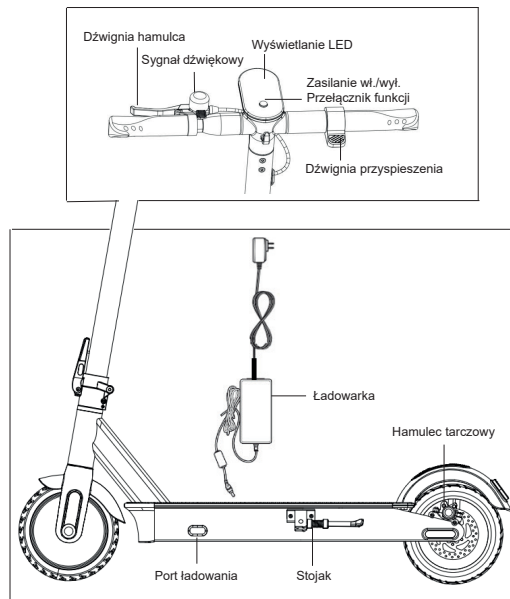
5/16/2022

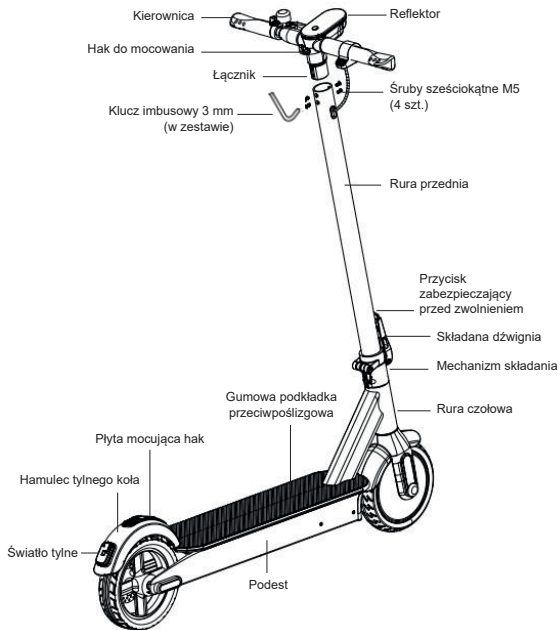
Dátum

I. Zawartość opakowania

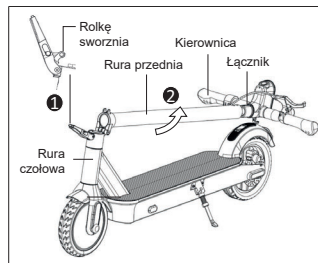
Hulajnoga *1	
Klucz imbusowy 3 mm *1	
Instrukcja obsługi *1	
Ładowarka *1	
Śruba z łbem stożkowym M5* 14L *4 szt.	

II. Części

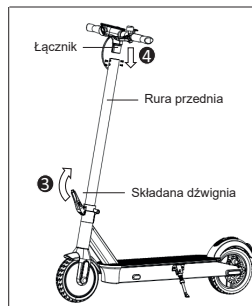




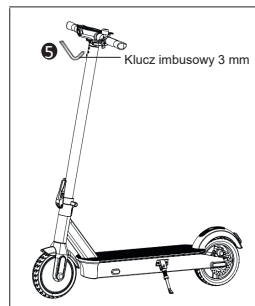
III. Zestawienie



- 1 Otwórz do końca dźwignię składania, aby odsłonić rolkę sworznia.
- 2 Podnieś rurę przednią wraz z łącznikiem i kierownicą, wyrównaj z rurą czołową.



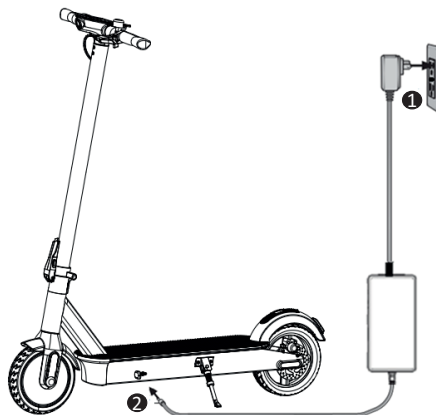
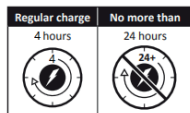
- 3 Zablokuj składaną dźwignię.
- 4 Włóż łącznik do przedniej rury.



- 5 Dokręć wszystkie 4 śruby z gniazdem sześciokątnym na rurze przedniej za pomocą dołączonego klucza imbusowego 3 mm.

IV. Ładowanie baterii

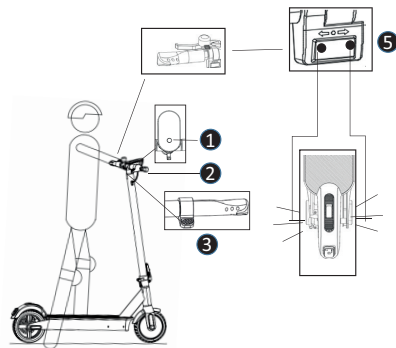
Uwaga: Lampka ładowarki świeci na **czerwono** podczas ładowania i zmienia kolor na **zielony** po zakończeniu ładowania.



V. UŻYTKOWANIE

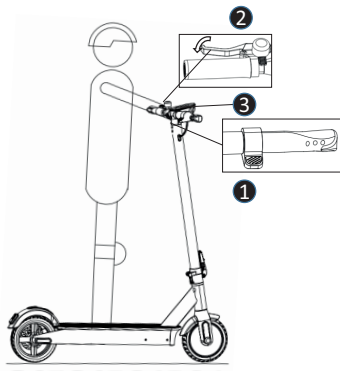
Uruchamianie hulajnoggi

1. Naciśnij i przytrzymaj przycisk zasilania przez 3 sekundy, aby włączyć hulajnogę.
Naciśnij krótko przycisk zasilania, aby włączyć/wyłączyć światło.
Naciśnij i przytrzymaj przycisk zasilania dwa razy, aby zmienić regulację prędkości.
Naciśnij i przytrzymaj przycisk zasilania 3 razy, aby przełączać wyświetlanie prędkości między km/h i mp/h.
2. Chwyc mocno uchwyty kierownicy obiema rękami.
3. Wejdź na podest jedną nogą, drugą odepchnij się od podłoża, aby przyspieszyć, i delikatnie naciśnij dźwignię przyspieszenia.
4. Po uruchomieniu postaw obie stopy na podeście.
5. Turn signal (optional).



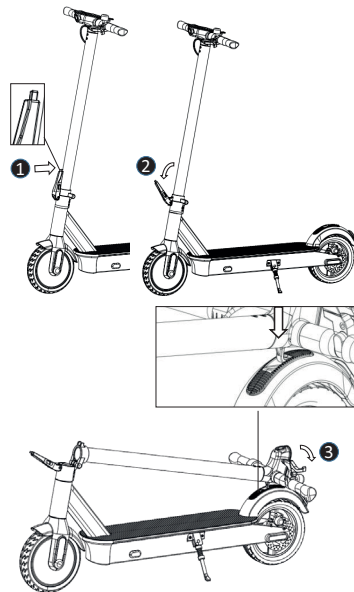
Zatrzymywanie hulajnogi

1. Zwolnij dźwignię przyspieszenia.
2. Zahamuj, naciskając dźwignię przedniego hamulca ręcznego.
3. Naciśnij przycisk zasilania, aby wyłączyć, gdy urządzenie nie jest używane.



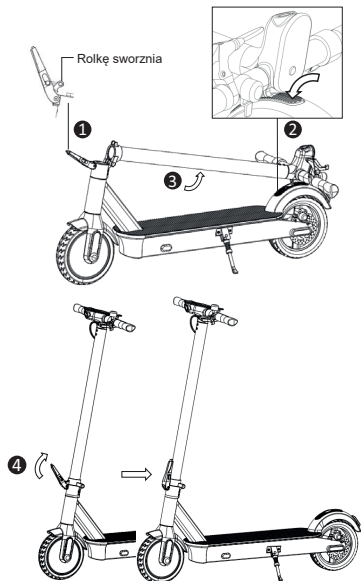
Składanie hulajnogi

1. Wciśnij przycisk zabezpieczający przed zwolnieniem.
2. Odblokuj dźwignię składania.
3. Złóż rurę przednią i przyczep hak mocujący do płyty mocującej na tylnym hamulcu koła.



Rozkładanie hulajnogi

1. Otwórz do końca dźwignię składania, aby odsłonić rolkę sworznia.
2. Naciśnij płytkę mocującą hak, aby zwolnić hak mocujący.
3. Podnieś rurkę przednią.
4. Zablokuj składaną dźwignię.



VI. Metody rozwiązywania problemów

Opis kodu błędu i rozwiązanie		
Kod błędu	Opis	Rozwiązanie
0E	Niski poziom naładowania baterii	Całkowicie naładuj baterię
1E	Nadmiernie ładowanie baterii	Odłącz ładowarkę. Skontaktuj się z autoryzowanym serwisem, jeśli kod błędu nie został usunięty.
2E	Awaria kontrolera	Skontaktuj się z autoryzowanym serwisem.
3E	Nadmierna temperatura kontrolera, uruchom program ochrony	Przez jakiś czas nie używaj hulajnogi. Odczekaj, aż temperatura spadnie i spróbuj ponownie.
4E	Linia sygnałowa może być poluzowana lub upuszczona	Skontaktuj się z autoryzowanym centrum serwisowym.
5E	Luźne połączenie między silnikiem a sterownikiem	Skontaktuj się z autoryzowanym centrum serwisowym.
6E	Awaria przyspiesznika	Skontaktuj się z autoryzowanym centrum serwisowym.

Opis kodu błędu i rozwiązanie		
7E	Awaria układu hamulcowego	Skontaktuj się z autoryzowanym centrum serwisowym.
8E	Nadmierny prąd, uruchom program ochrony	Zatrzymaj hulajnogę i uruchom ponownie później. Skontaktuj się z autoryzowanym centrum serwisowym, jeśli kod błędu nie został usunięty.
9E	Zablokowany wirnik silnika	Zatrzymaj hulajnogę i uruchom ponownie później. Skontaktuj się z autoryzowanym centrum serwisowym, jeśli kod błędu nie został usunięty.

Bateria się nie ładuje

Sposób rozwiązania:

1. Wtyczka nie jest prawidłowo wciśnięta.
2. Ładowarka jest uszkodzona, użyj nowej ładowarki.
3. Zaciski baterii jest luźny, ponownie podłącz zaciski.

Niewystarczający przebieg po naładowaniu

Sposób rozwiązania:

1. Niewystarczające naładowanie, w pełni naładuj baterię.
2. Jazda pod górę, pod silny wiatr, duże obciążenie, słaba nawierzchnia drogi i niska temperatura.
3. Zaciski między baterią a portem ładowania są poluzowane, podłącz je ponownie.

Prędkość jest za niska

Sposób rozwiązania:

1. Napięcie baterii jest zbyt niskie, w pełni ją naładuj.

Hamulec nie działa

Sposób rozwiązania:

1. Linka hamulca jest poluzowana, ponownie dokręć linkę hamulca.
2. Jeśli klocek hamulcowy jest uszkodzony, wymień na oryginalny.

Uwaga: W przypadku wykrycia usterki skontaktuj się z autoryzowanym centrum serwisowym. Nie naprawiaj ani nie modyfikuj hulajnogi samodzielnie, może to spowodować ograniczenia gwarancji i obrażenia.

VII. BEZPIECZEŃSTWO JAZDY

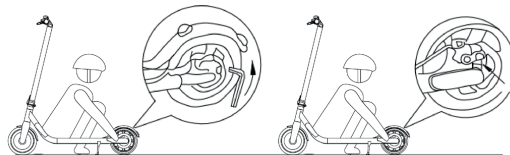
Przed korzystaniem z tego urządzenia należy poświęcić czas na nauczenie się jego obsługi. Używanie go bez odpowiedniego procesu uczenia się może spowodować kontuzje. Używaj zabezpieczeń, aby zapobiec urazom. Hulajnogi elektrycznej można używać po wykonaniu następujących czynności:



REGULACJA HAMULCÓW

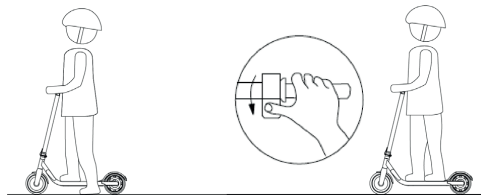
Przed każdą jazdą sprawdzaj hamulce. Jeśli uważasz, że hamulec jest zbyt napięty, użyj klucza sześciokątnego w kierunku przeciwnym do ruchu wskazówek zegara, aby poluzować śruby na płycie dociskowej, zwolnij linkę hamulcową, aby nieco skrócić odsłoniętą długość i dokręć śruby płyty dociskowej. Jeśli czujesz, że hamulec jest zbyt luźny, odkręć śruby na płycie dociskowej, przeciągnij linkę hamulcową, aby nieznacznie wydłużyć jej długość, a następnie zablokuj śruby na płycie dociskowej.

OSTRZEŻENIE! Podczas gwałtownego hamowania ryzykujesz poważne obrażenia z powodu utraty przyczepności i upadków. Utrzymuj umiarkowaną prędkość i uważaj na potencjalne zagrożenia.



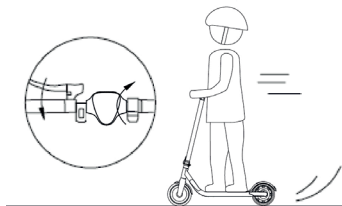
UŻYTKOWANIE

Ustaw jedną stopę na podeście, a drugą na ziemi. Rozpocznij z jedną nogą na ziemi, aż prędkość dojdzie do 3 km/h i zaczniesz przyspieszać. Przenieś drugą stopę na podest i odpowiednio przyspieszaj lub utrzymuj określoną prędkość. Ta дія jest konieczna, aby rozpocząć jazdę, ze względu na bezpieczeństwo.

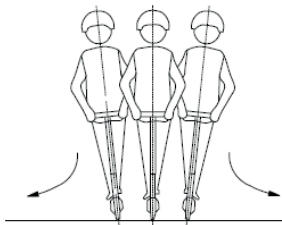


STAŁA PRĘDKOŚĆ

Jeśli trzymasz wciśnięty przyspiesznik, prędkość będzie stała, dla większego komfortu jazdy. Aby anulować tę funkcję, uruchom hamulec.

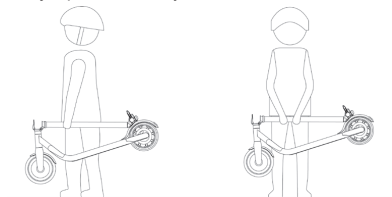


Stale balansuj ciałem, aby utrzymać pozycję równowagi:



SKŁADANIE I TRANSPORT

Po złożeniu należy złapać hulajnogę elektryczną za rurę przednią, aby ją transportować, jak pokazano na rysunku:



ostrzeżenia: nieprzestrzeganie tych instrukcji może prowadzić do poważnych obrażeń.

- NIE WOLNO jeździć na hulajnodze elektrycznej w deszczu.
- NIE DOPUSZCZAĆ DO ZMOKNIĘCIA.
Uważaj na głowę podczas przejeżdżania przez drzwi.
Utrzymaj prędkość w zakresie 5–10 km/h podczas przejeżdżania przez progi zwalniające, progi przy drzwiach windy, wyboiste drogi lub inne nierówne powierzchnie. Lekko ugnij kolana, aby lepiej amortyzować na wspomnianych powierzchniach.
- NIE trzymaj stóp na tylnym błotniku.
- NIE naciskaj przyspiesznika podczas prowadzenia idąc obok hulajnogę elektrycznej.
Unikaj kontaktu opon/kół z przeszkodami.
- NIE przewoź ciężkich przedmiotów na kierownicy.
- NIE stój na hulajnodze elektrycznej tylko jedną nogą podczas jazdy.
- NIE jeźdź po drogach publicznych lub autostradach.
- NIE obracaj gwałtownie kierownicy podczas jazdy z dużą prędkością.
- NIE wjeżdżaj lub zjeżdżaj po schodach ani przeskakuj przez przeszkody.
- NIE zdejmuj ręk z kierownicy podczas jazdy. NIE jeźdź z jedną ręką na kierownicy.

- NIE przejeżdżaj przez kałuże lub inne przeszkody (wodne). W takim przypadku zmniejsz prędkość i omiń przeszkodę.
- NIE przewoź pasażerów. Hulajnoga elektryczna jest przeznaczona tylko dla jednej osoby.
- Nie przewoź dzieci.
- Nie jeźdź na hulajnodze, jeśli jesteś w ciąży.
- NIE używaj telefonu komórkowego ani słuchawek podczas korzystania z hulajnogi elektrycznej.
- NIE dotykaj silnika piasty po jeździe, ponieważ może być gorący.
- Zawsze trzymaj obie ręce na kierownicy, w przeciwnym razie ryzykujesz poważnymi obrażeniami z powodu utraty równowagi i upadków.
- Używać wyłącznie przy suchej pogodzie.
- Nie zalecamy używania na drogach publicznych.
- Nigdy nie skręcaj gwałtownie podczas szybkiej jazdy.
- Nie ruszaj ani nie zatrzymuj się nagle.
- Upewnij się, że prędkość hulajnogi elektrycznej jest bezpieczna dla Ciebie i innych oraz utrzymuj gotowość do zatrzymania się w dowolnym momencie podczas jazdy.
- Podczas jazdy na hulajnodze należy zachować dystans w stosunku do innych uczestników ruchu, aby uniknąć kolizji.
- Kiedy się skręcasz, musisz pamiętać o środku ciężkości swojego ciała; gwałtowna zmiana położenia środka ciężkości może spowodować obrażenia.
- Rutynowo sprawdzaj łożyska pod kątem wilgoci i zabrudzeń. Osuszaj i czyść łożyska. W razie potrzeby po oczyszczeniu nasmaruj je. Używaj do tego tylko odpowiednich smarów. Sprawdź również stabilność kierownicy, aby upewnić się, że ten produkt jest bezpieczny.
- Nie wolno wprowadzać żadnych modyfikacji innych niż podanych w instrukcjach producenta.
- Kiedy nakrętki samozabezpieczające i inne mocowania samozabezpieczające mogą utracić swoją skuteczność.
- Unikaj jazdy po stromych zboczach.

VIII. CZYSZCZENIE I KONSERWACJA

Hulajnoga elektryczna jest stosowana jako środek transportu i jako taka wymaga konserwacji wszystkich jej elementów, które ulegają zużyciu i nie są objęte gwarancją.

CZYSZCZENIE

Przed czyszczeniem upewnij się, że hulajnoga elektryczna jest WYŁĄCZONA, kabel ładujący jest odłączony, a gumowa zaślepka portu ładowania jest szczelnie zamknięta; w przeciwnym razie możesz uszkodzić elementy elektroniczne. Zawsze najpierw odłącz produkt od ładowarki, zamknij wodoodporną wtyczkę ładowania, wyłącz zasilanie produktu i unikaj kontaktu płynów z baterią, silnikiem i innymi częściami elektronicznymi podczas czyszczenia, aby uniknąć nieprzewidzianego zagrożenia. Nie używaj strumienia wody pod wysokim ciśnieniem do czyszczenia urządzenia ani nie zanurzaj go w wodzie.

Do czyszczenia hulajnogi elektrycznej używaj wilgotnej szmatki. Jeśli chcesz zeszkobać brud, użyj miękkiej szczotki, a następnie wilgotnej szmatki.

Należy pamiętać, aby zasłonić port ładowania, aby uniknąć problemów z układami elektronicznymi.

Nie używaj alkoholu, benzyny, nafty ani innych lotnych lub żrących związków chemicznych. Może to spowodować uszkodzenia zarówno zewnętrznych, jak i wewnętrznych elementów hulajnogi elektrycznej. Nie używaj również myjki ciśnieniowej ani bieżącej wody.

KONSERWACJA

Gdy hulajnoga elektryczna nie jest używana, należy ją przechowywać w chłodnym, suchym miejscu. Unikaj pozostawiania jej na zewnątrz, gdyż nie jest ona przeznaczona do użytku w miejscach wilgotnych, w pobliżu czynników korozyjnych, takich jak woda morską, porty itp. Nie zaleca się również wystawiania jej na długotrwałe działanie wysokich temperatur spowodowanych bezpośrednim działaniem promieni słonecznych.

IX. OBSŁUGA BATERII I ZABRONIONE CZYNNOŚCI

Nie używaj innych modeli lub marek baterii, używaj wyłącznie oryginalnej baterii.

Nie umieszczaj baterii w środowisku o temperaturze wyższej niż 50°C lub niższej niż -20°C (na przykład, nie należy przechowywać hulajnogi elektrycznej w bagażniku samochodu latem) i nie pozostawiaj jej w pobliżu ognia. W przeciwnym razie może dojść do awarii baterii, przegrzania, a nawet pożaru.

Unikaj całkowitego rozładowania baterii, lepiej jest je ładować, gdy jest w nich jeszcze ładunek. Wydłuży to jej żywotność. Ponadto, jeśli jeździsz na hulajnodze elektrycznej w bardzo zimnych lub ciepłych warunkach, możesz dojść do skrócenia czasu użytkowania baterii. Nie jest to awaria baterii, ale ich normalne zachowanie.

Gdy hulajnoga nie jest używana przez ponad 30 dni, całkowicie ją naładuj i przechowuj w chłodnym, suchym miejscu. Ładuj całkowicie baterię co 60 dni. Niezastosowanie się do tych kroków może spowodować uszkodzenie baterii, a to uszkodzenie nie jest objęte gwarancją.

Zabrania się demontowania komory baterii. Dozwolona jest tylko jego obsługa w oficjalnych serwisach technicznych lub w właściwych warsztatach.

Do ładowania używaj wyłącznie oryginalnej ładowarki, w przeciwnym razie istnieje ryzyko uszkodzenia lub pożaru.

Niewłaściwa utylizacja zużytych baterii może spowodować poważne zanieczyszczenie środowiska. Podczas utylizacji tej baterii należy przestrzegać lokalnych przepisów.

Po każdym użyciu naładuj baterię, co wydłuży żywotność baterii.

NIEBEZPIECZEŃSTWO!

Ogniwo baterii zawiera łatwopalne i niebezpieczne substancje.

Niewłaściwe postępowanie może spowodować pożar, dym, wybuch i poważne obrażenia ciała lub uszkodzenie mienia. Zawsze czytaj uwagi dotyczące poniższych zabronionych czynności i postępuj zgodnie z zaleceniami, zakładaj odpowiedni sprzęt ochronny przed wykonaniem jakiegokolwiek czynności związanych z baterią.

Przechowuj baterię z dala od niemowląt i dzieci, aby uniknąć wypadków. Jeśli z baterii korzystają młodsze dzieci, ich opiekunowie powinni przed użyciem wyjaśnić właściwą metodę obsługi i środki ostrożności oraz zawsze zapewnić integralność baterii.

Należy korzystać wyłącznie z dedykowanej ładowarki oraz ładować baterię tylko w zalecony sposób. Nie ładuj baterii bezpośrednio z gniazdka elektrycznego ani z ładowarki samochodowej podłączonej do gniazda zapalniczki. Nie ładuj baterii bez nadzoru.

- Nie ładuj baterii przy odwróconej biegunowości.
- Nie zostawiaj baterii w pobliżu ognia lub źródła ciepła ani nie wrzucaj jej do ognia.
- Nie ładuj ani nie używaj baterii w samochodzie lub podobnym miejscu, gdzie temperatura wewnątrz może przekraczać 50 °C.
- Nie zanurzaj, nie wrzucaj i nie zwilżaj baterii w wodzie/wodzie morskiej itp.
- Nie zwieraj (+) dodatniego i (-) ujemnego zacisku metalowym przedmiotem. Nie przechowuj baterii w kieszeni lub torbie razem z metalowymi przedmiotami, takimi jak klucze, naszyjniki, spinki do włosów, monety lub śruby.
- Nie przekłuwaj baterii ostrym przedmiotem, takim jak igła, śrubokręt.
- Nie podgrzewaj części baterii za pomocą gorących przedmiotów, takich jak lutownica.

- Nie uderzaj w nią ciężkimi przedmiotami, takimi jak młotek, ciężarek. Nie wchodź na baterię i nie rzucaj nią ani nie upuszczaj jej, aby uniknąć obrażeń mechanicznych. Nie używać poważnie odkształconej baterii.
- Nie demontuj baterii ani nie modyfikuj układu baterii, w tym obwodu elektrycznego.
- Nie lutuj bezpośrednio baterii i nie używaj ani nie łącz razem starych i nowych baterii.
- Nie wkładaj baterii do kuchenki mikrofalowej, suszarki ani pojemnika wysokociśnieniowego.
- Nie używaj ani nie montuj baterii z bateriami innych producentów, różnymi typami i/lub modelami baterii, takimi jak baterie suche, baterie niklowo-metalowo-wodorowe lub baterie niklowo-kadmowe.

Przełóż na miejsce z dala od ognia natychmiast po wykryciu wycieku lub nieprzyjemnych zapachów. Jeśli płyn z baterii wycieknie na skórę lub ubranie, natychmiast zmyj świeżą wodą. Jeśli płyn wyciekający z baterii dostanie się do oczu, nie pocieraj oczu i przemyj je czystą wodą i natychmiast udaj się do lekarza. Jeśli styki baterii ulegną zabrudzeniu, przed użyciem wytrzyj je suchą szmatką.

Przed utylizacją okryj zaciski odpowiednią taśmą izolacyjną.

Przed użyciem/zainstalowaniem/wyjęciem baterii lub użyciem ładowarki należy zapoznać się z instrukcją obsługi i przestrzegać środków ostrożności związanych z obsługą.

Wymień baterię, gdy czas użytkowania baterii będzie znacznie krótszy niż zwykle.

Jeśli bateria ma być przechowywana przez dłuższy czas, należy ją wyjąć z urządzenia i przechowywać w miejscu o niskiej wilgotności i temperaturze.

Gdy bateria jest ładowana, używana i przechowywana, należy umieszczać ją z dala od przedmiotów generujących ładunek elektrostatyczny.

Nie można używać baterii jednorazowych jako zamiennika.

Baterię należy wyjąć z urządzenia przed złomowaniem.

Podczas wyjmowania baterii urządzenie musi być odłączone od sieci zasilającej.

Baterię należy bezpiecznie zutylizować.

Nie należy używać baterii w przypadku generowania elektryczności statycznej (powyżej 100 V), obwód zabezpieczający baterii zostanie uszkodzony.

Nie wyjmuj baterii. Wyjęcie baterii jest skomplikowane i może wpłynąć na działanie urządzenia. W celu dokonywania wszelkich operacji na baterii należy kontaktować się z autoryzowanym centrum serwisowym.

Nie przechowuj ani nie ładuj baterii w temperaturach wykraczających poza podany zakres (patrz w niniejszej instrukcji). Nie wolno przebijać baterii. Zapoznaj się z lokalnymi przepisami i regulacjami dotyczącymi recyklingu i/lub utylizacji baterii.

Odpowiednio utrzymana bateria będzie działać dobrze nawet po wielu kilometrach jazdy. Ładuj baterię po każdej jeździe i unikaj całkowitego rozładowania.



OSTRZEŻENIE!

Przełóż na miejsce z dala od ognia natychmiast po wykryciu wycieku lub nieprzyjemnych zapachów. Jeśli płyn z baterii wycieknie na skórę lub ubranie, natychmiast zmyj świeżą wodą. Jeśli płyn wyciekający z baterii dostanie się do oczu, nie pocieraj oczu i przemyj je czystą wodą i natychmiast udaj się do lekarza. Jeśli styki baterii ulegną zabrudzeniu, przed użyciem wytrzyj je suchą szmatką.

Przed utylizacją okryj zaciski odpowiednią taśmą izolacyjną.

Przed użyciem/zainstalowaniem/wyjęciem baterii lub użyciem ładowarki należy zapoznać się z instrukcją obsługi i przestrzegać środków ostrożności związanych z obsługą.

Wymień baterię, gdy czas użytkowania baterii będzie znacznie krótszy niż zwykle.

Jeśli bateria ma być przechowywana przez dłuższy czas, należy ją wyjąć z urządzenia i przechowywać w miejscu o niskiej wilgotności i temperaturze.

Gdy bateria jest ładowana, używana i przechowywana, należy umieszczać ją z dala od przedmiotów generujących ładunek elektrostatyczny.

Nie można używać baterii jednorazowych jako zamiennika.

Baterię należy wyjąć z urządzenia przed złomowaniem.

Podczas wyjmowania baterii urządzenie musi być odłączone od sieci zasilającej.

Baterię należy bezpiecznie zutylizować.

Nie przekuwaj, otwieraj ani rozmontowuj baterii. Nie dotykaj styków baterii. Nie demontuj ani nie przebijaj obudowy.

Nie dopuszczaj do styków baterii żadnych metalowych przedmiotów, aby zapobiec zwarceniu. Ryzyko pożaru i porażenia prądem. Nie ładuj ani nie używaj baterii, jeśli jest uszkodzona lub widać na niej ślady wody.

W razie wypadku lub awarii: skontaktuj się z autoryzowanym warsztatem w swoim kraju.

Użytkownik musi skontaktować się z autoryzowanym lub wyspecjalizowanym serwisem klienta.

X. Ładowanie/rozładowywanie i przechowywanie baterii

 **Ostrzeżenie: zawsze przestrzegaj następującej instrukcji.**

Używaj tylko oryginalnej ładowarki, niewłaściwe użycie może spowodować obrażenia ciała i utratę mienia. Gwarancja nie obejmuje żadnej odpowiedzialności za szkody spowodowane użyciem nieoryginalnej ładowarki.

Nie ładuj w pobliżu jakiegokolwiek źródła płynu/ognia, zawsze unikaj substancji łatwopalnych. Nie pozostawiaj urządzenia bez nadzoru podczas ładowania.

Nie ładuj, jeśli port ładowania lub kabel ładowania są mokre.

Nie ładuj ani nie używaj baterii, jeśli jest uszkodzona lub widać na niej ślady wody.

Interfejs ładowania jest wyposażony w specjalne gniazdo. Nie wciskaj wtyczki na siłę, gdyż może to spowodować uszkodzenie urządzenia.

Wskaźnik ładowarki świeci na czerwono, gdy bateria jest ładowana. Po zakończeniu ładowania wskaźnik świeci na zielono.

Odłącz ładowarkę, gdy wskaźnik ładowarki zaświeci na zielono. Przeladowanie lub nadmierne rozładowanie spowoduje nieodwracalne uszkodzenie baterii lub utratę mienia. Jeśli wskaźnik ładowarki zmieni kolor na zielony natychmiast podczas ładowania po jeździe, odłącz ładowarkę i pozwól baterii ostygnąć przed ponownym naładowaniem. Jest to normalne zjawisko inteligentnej ochrony spowodowane wysoką temperaturą wewnętrzną baterii. Ładowanie można rozpocząć po ostygnięciu baterii.

Zatrzymaj ładowanie i odłącz ładowarkę, jeśli bateria nie zostanie w pełni naładowana po upływie zalecanego czasu. Skontaktuj się z obsługą klienta w celu uzyskania dalszych informacji.

Po każdym ładowaniu port ładowania musi być zakryty dołączoną gumową nakładką.

Zawsze należy zachować szczególną ostrożność podczas obchodzenia się z baterią.

Należy przestać korzystać z baterii, jeśli bateria nadmiernie się rozgrzeje, zostanie wykryty nieprzyjemny zapach, odbarwienie, odkształcenie lub inny nienormalny stan podczas użytkowania, ładowania lub przechowywania.

Bateria może być używana w następujących zakresach temperatur. Nie przekraczaj tych zakresów.

Temperatura robocza: -10–60°C (wydajność baterii zależy od temperatury)

Temperatura ładowania: 10-45°C

Temperatura przechowywania i transportu: -10-45°C

Wilgotność przechowywania: 10-80%

XI. Dane techniczne

Nazwa produktu	Hulajnoga elektryczna Acer ES Seria 5
Model	AES015
Wymiary po rozłożeniu	118 (dł.) x 49 (szer.) x 125 (wys.) (cm)
Wymiary po złożeniu	118 (dł.) x 49 (szer.) x 55 (wys.) (cm)
Waga wraz z baterią	18,5 kg
Silnik	350 W
Bateria	15 Ah
Typ baterii	litowo-jonowa
Producent baterii	TIANHONG
Ładowanie	42 V/2,0 A
Producent ładowarki: FUYUANDIAN, Nr modelu: FY-4202000	
Pełny czas ładowania	4 godziny
Maksymalna prędkość	20 km/h lub 25 km/h (w zależności od przepisów krajowych)
Maksymalna odległość bez ładowania	60 km
Regulacja prędkości	Tak
Tryby prędkości	3
Poziom trybów prędkości	0–6 km/h; 0–10km/h; 0-20 lub 25 km/h (w zależności od przepisów krajowych)
Mechanizm składania	Tak
Główny materiał	Podest ze stopu aluminium, rura przednia ze stali
Maksymalne obciążenie	do 100 kg
Prześwit	11cm
Kierownica z regulacją wysokości	Nie
Hamulce	przedni hamulec elektroniczny i tylny hamulec tarczowy

Wyświetlacz	Wyświetlanie LED
Amortyzator koła	Tak
Koła	Koło z oponą litą
Materiał opony	Guma
Jednostka napędowa	Napęd na przednie koło
Średnica koła	10"
Wodoodporność	IPX4
Odbłyśniki	Tak
Reflektor	Tak
Aplikacja	Nie
Sygnal dźwiękowy	Tak
Podświetlenie	Tak
Bluetooth	Tak
Możliwość jazdy pod kątem	10°

XII. Inne

1. Data produkcji jest podana na etykiecie produktu

2.  Przechowywanie

Przechowuj ten produkt w suchym, chłodnym i bezpiecznym miejscu, unikaj wilgoci i wysokich temperatur. Wilgoć może spowodować uszkodzenie elementów elektrycznych. W przypadku awarii baterii litowej należy skontaktować się z lokalnym zakładem recyklingu i zutylizować zgodnie z krajowymi lub lokalnymi przepisami.

- Temperatura robocza: -10-60°C
- Temperatura ładowania: 10-45°C
- Temperatura przechowywania i transportu: -10-45°C
- Wilgotność przechowywania: 10-80%

3. Tego produktu nie wolno wyrzucać razem z innymi odpadami domowymi. Poddaj go recyklingowi, aby zminimalizować zanieczyszczenie środowiska, zgodnie z lokalnymi przepisami lub skontaktuj się z lokalnym urzędem miasta lub zakładem utylizacji odpadów domowych.

4. 1) Urządzenie jest przeznaczone do pracy na wysokościach większych niż 2000 m n.p.m.

2) Długotrwałe narażenie na promienie UV, deszcz i inne warunki atmosferyczne mogą uszkodzić materiał obudowy, przechowywać w pomieszczeniach, gdy nie jest używane.

3) OSTRZEŻENIE – Zagrożenie pożarem – Brak części użytkowych.

Deklaracja zgodności UE

Firma

Acer Incorporated

8F, 88, Sec. 1, Xintai 5th Rd., Xizhi, New Taipei City 221, Tajwan

Oraz,

Acer Italy s.r.l.

Viale delle Industrie 1/A, 20044 Arese (MI), Włochy

Tel: +39-02-939-921, Faks: +39-02 9399-2913

www.acer.it

Produkt: **Hulajnoga elektryczna Acer ES Seria 5**

Nazwa handlowa: **acer**

Numer modelu: **AES015**

Numer SKU: **AES015 *******

(„*”=0-9, a-z, A-Z lub spacja)

Firma Acer Incorporated niniejszym oświadcza z pełną odpowiedzialnością, że produkt opisany wyżej spełnia wymagania właściwych unijnych przepisów prawnych: Dyrektywa maszynowa 2006/42/WE i dyrektywa RoHS 2011/65/UE. Zastosowano następujące zharmonizowane i (lub) inne właściwe normy:

EN 17128:2020

EN 300 328 V2.2.2

EN 301 489-1 V2.2.3

EN 301 489-17 V3.2.4

EN 62479:2010

EN IEC 63000:2018

Rok rozpoczęcia nadawania oznakowania CE: 2022.

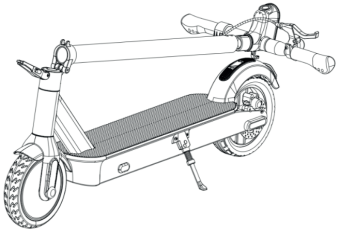






RU Jan / Sr. Manager

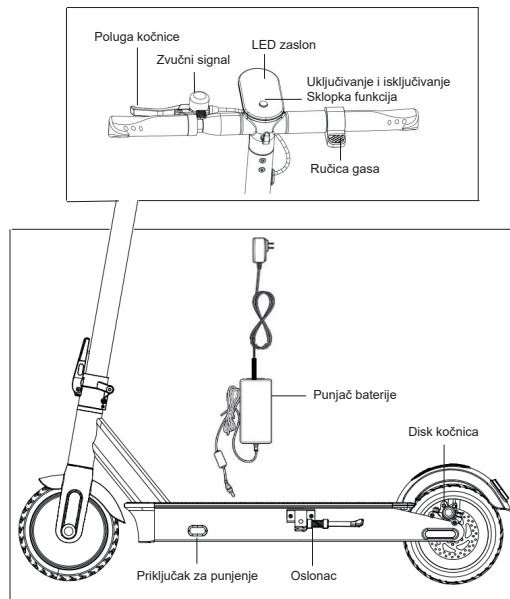
Acer Incorporated (Taipei, Taiwan)

5/16/2022
Data

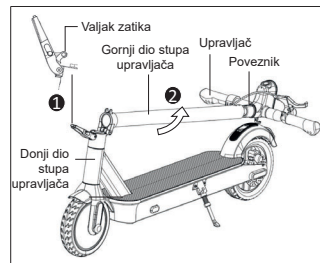
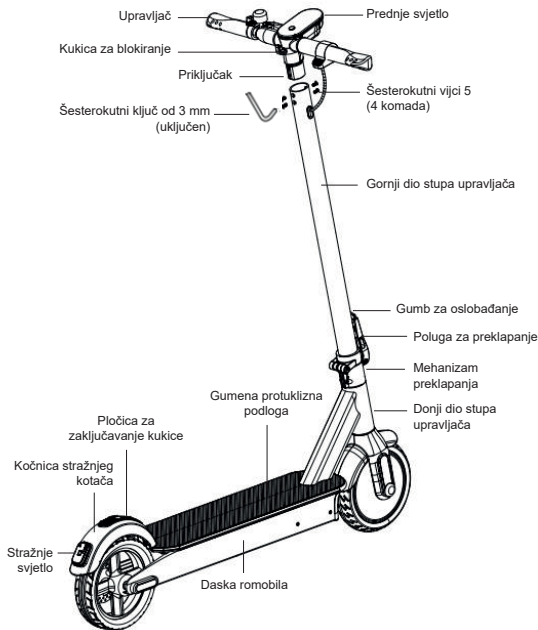
I. Sadržaj pakiranja

Romobil x1	
Šesterokutni ključ od 3 mm x1	
Korisnički priručnik x1	
Punjač baterije x1	
M5 x 14L vijak s upuštenom glavom 4 komada	

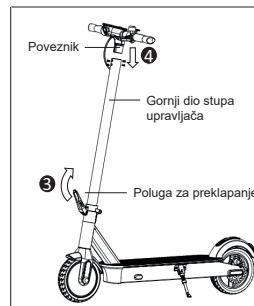
II. Dijelovi



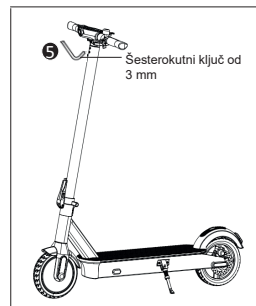
III. Sklapanje



- 1 Potpuno otvorite preklopnu polugu da biste vidjeli valjak zatika.
- 2 Podignite gornji dio stupa upravljača zajedno s poveznikom i upravljačem, poravnajte s donjim dijelom stupa upravljača.



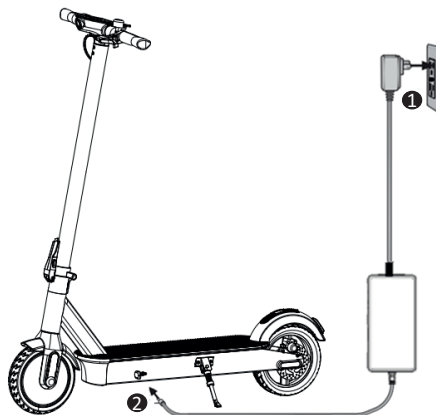
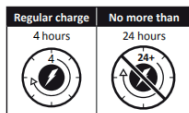
- 3 Blokirajte polugu za preklapanje.
- 4 Umetnite poveznik u gornji dio stupa upravljača.



- 5 Pritegnite sva 4 šesterokutna vijka na gornjem stupu upravljača isporučenim šesterokutnim kličem od 3 mm.

IV. Napunite bateriju

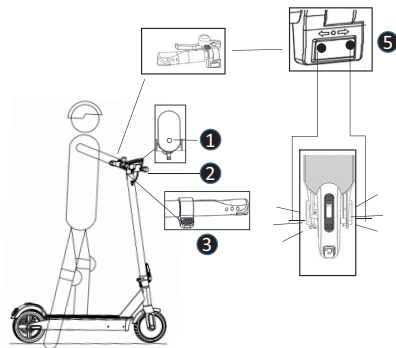
Napomena: Svjetlo indikatora punjača je **crveno** tijekom punjenja, a kad je punjenje završeno svijetlit će **zeleno**.



V. KORIŠTENJE

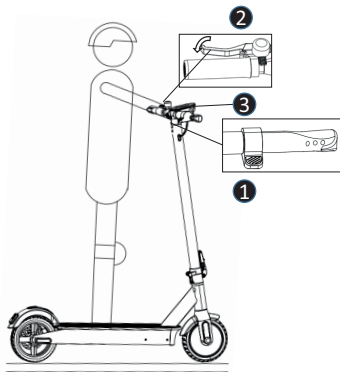
Pokretanje romobila

1. Za uključivanje romobila pritisnite i 3 sekunde držite gumb za uključivanje.
Kratko pritisnite gumb za uključivanje kako biste uključili/isključili svjetlo. Dva puta neprekidno držite pritisnutim gumb za uključivanje za izmjenu propisa u svezi brzine.
Tri puta neprekidno držite pritisnutim gumb za uključivanje za izmjenu prikazanih jedinica za brzinu, km/h ili mp/h.
2. Čvrsto primite upravljač objema rukama.
3. Jednom nogom stanite na dasku romobila, drugom se odgurnite o tlo kako biste olakšali ubrzavanje, a zatim lagano pritisnite ručicu gasa.
4. Nakon pokretanja objema nogama stanite na dasku romobila.
5. Turn signal (optional).



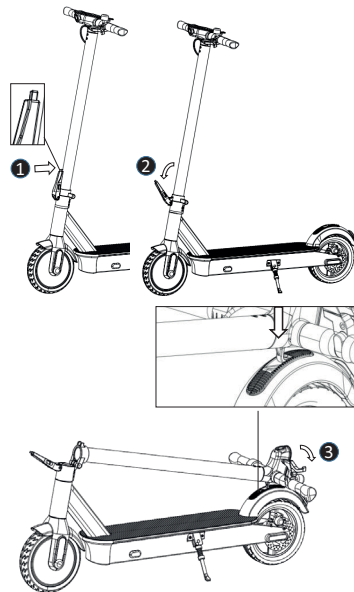
Zaustavljanje romobila

1. Otpustite ručicu gasa.
2. Kočite pritiskanjem ručice prednje ručne kočnice prema dolje.
3. Pritisnite gumb za uključivanje i isključite romobil kad se ne koristi.



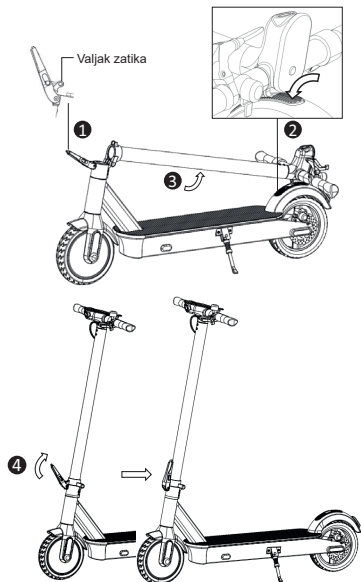
Sklapanje romobila

1. Pritisnite prema dolje polugu za oslobađanje.
2. Odblokirajte polugu za preklapanje.
3. Preklopите unatrag gornji dio stupa upravljača i zaključajte kukicu za blokiranje u ploču za zaključavanje na kočnici stražnjeg kotača.



Rasklapanje romobila

1. Potpuno otvorite preklapnu polugu da biste vidjeli valjak zatika.
2. Pritisnite prema dolje ploču za zaključavanje kukice kako biste je oslobodili.
3. Podignite gornji dio stupa upravljača.
4. Blokirate polugu za preklapanje.



VI. Rješavanje problema

Uvod i rješavanje šifre kvara

Šifra kvara	Uvod	Rješenje
0E	Slaba baterija	Potpuno napunite bateriju
1E	Prekomjerno napunjena baterija	Uklonite punjač. Kontaktirajte ovlaštenu servis ako se šifra kvara i dalje prikazuje.
2E	Kvar upravljača	Obratite se ovlaštenom servisu.
3E	Previsoka temperatura upravljača, pokrenite program zaštite	Ne koristite romobil do daljnjega. Pričekajte dok se temperatura ne snizi, a zatim pokušajte ponovno.
4E	Signalna linija je možda nezategnuta ili je odvojena	Obratite se ovlaštenom servisu.
5E	Slaba veza između motora i upravljača	Obratite se ovlaštenom servisu.
6E	Kvar na gasu	Obratite se ovlaštenom servisu.
7E	Kvar sustava kočnica	Obratite se ovlaštenom servisu.
8E	Previsoka strujate, pokrenite program zaštite	Zaustavite romobil i ponovno ga pokrenite kasnije. Kontaktirajte ovlaštenu servis ako se šifra kvara i dalje prikazuje.

Uvod i rješavanje šifre kvara

9E	Motor je blokirao rotor	Zaustavite romobil i ponovno ga pokrenite kasnije. Kontaktirajte ovlaštenu servisnu agenciju ako se šifra kvara i dalje prikazuje.
----	-------------------------	------------------------------------------------------------------------------------------------------------------------------------

Baterija se ne puni

Način rješavanja:

1. Utikač električnog napajanja nije pravilno priključen.
2. Punjač je oštećen, koristite novi.
3. Ožičenje baterije je neučvršćeno, pričvrstite kontakte.

Nedovoljan prijedeni put nakon punjenja

Način rješavanja:

1. Nedovoljno punjenje, potpuno napunite bateriju.
2. Uzbrdica i jaki vjetar prema vozaču, veliko opterećenje, loša površina ceste i niska temperatura.
3. Kontakti priključka između baterije i punjača nisu pritegnuti, ponovno pričvrstite kontakte.

Brzina je premala

Način rješavanja:

1. Napon baterije je prenizak, potpuno napunite bateriju.

Kočnica ne radi.

Način rješavanja:

1. Kabel kočnice je predug, pritegnite kable kočnice.
2. Ako je obloga kočnice oštećena, zamijenite je originalnom.

Napomena: Kad je otkriven kvar obratite se ovlaštenom servisu. Ne popravljajte sami romobil niti ne vršite nikakve preinake jer to može prouzročiti ograničavanje jamstva, ali i ozljede.

VII. VOŽNJA I SIGURNOST

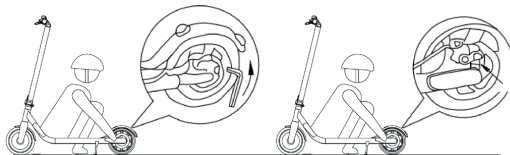
Za korištenje ovog uređaja neophodno je početno usvajanje vještina. Korištenje bez pravilnog postupka usvajanja vještine može prouzročiti ozljede. Koristite zaštitu da biste spriječili oštećenja. Kad završite sve te korake možete uključiti električni romobil:



PODEŠAVANJE KOČNICA

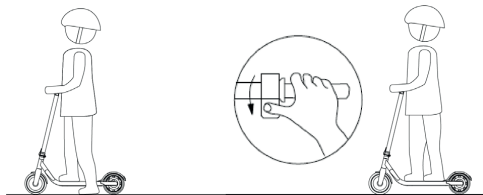
Prije svake vožnje provjerite kočnice. Ako smatrate da je kočnica previše zategnuta, šesterokutnim ključem u smjeru suprotnom od kazaljke na satu popustite vijke na potisnoj pločici na ležištu disk kočnice, otpustite vod kočnice kako biste malo skratili izloženu duljinu i zategnite vijke potisne pločice. Ako smatrate da je kočnica previše opuštena, otpustite vijke na potisnoj pločici, povucite kabel kočnice kako biste ga malo produljili, a zatim učvrstite vijke na potisnoj pločici.

UPOZORENJE! Pri naglom kočenju riskirate ozbiljne ozljede zbog gubitka vučne sile i padova. Održavajte umjerenu brzinu i pažljivo pratite kako biste na vrijeme uočili moguće opasnosti.



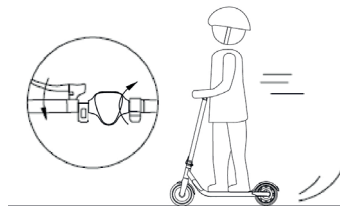
KORIŠTENJE

Jednom nogom stanite na dasku romobila, a drugom na tlo. Odgurnite se nogom od tla i kad brzina dostigne 3 km/h započnite davati gas i ubrzavati. Držite drugu nogu na daski romobila i ubrzajte do željene brzine ili održavajte određenu brzinu. Ova radnja neophodna je za početak vožnje i radi vaše sigurnosti.

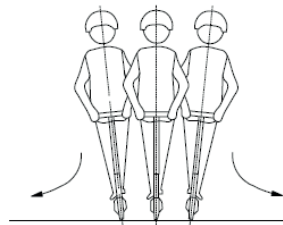


STALNA BRZINA

Ako papučicu gasa držite pritisnutom brzina će biti stalna i tako omogućiti veću udobnost vožnje. Za poništavanje ove funkcije aktivirajte kočnicu.

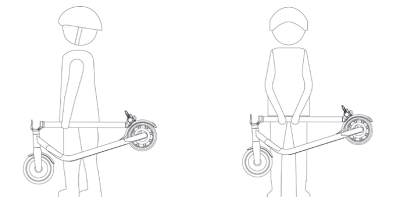


Održavajte ravnotežu tijekom neprekidne vožnje:



PREKLAPANJE I PRENOŠENJE

Preklapljeni električni romobil prenosite držeći ga za prečku kako je prikazano slikom:



Upozorenje: nepridržavanje ovih uputa može prouzročiti ozbiljne ozljede.

- NE VOZITE romobil po kiši.
 - NEMOJTE se smočiti.
Pazite na glavu dok prolazite kroz vrata i prolaze.
Održavajte brzinu između 5 –10 km/h (3,1 – 6,2 mph) kada vozite preko ograničivača brzine (tzv. ležećih policajaca), pragove otvora dizala, neravne ceste ili druge neravne površine. Lagano savijte koljena kako biste se bolje prilagodili na vožnju po takvim površinama.
 - NE DRŽITE nogu na stražnjem blatobranu.
 - NE PRITIŠĆITE gas dok hodate uz električni romobil.
Izbjegavajte dodirivanje prepreka gumom/kotačem.
 - NE VJEŠAJTE teške predmete na rukohvat romobila.
 - NE VOZITE električni romobil stojeći na njemu samo jednom nogom.
 - NE VOZITE po javnim cestama, brzim cestama ili autocestama.
 - NE OKREĆITE SILOM ručku romobila dok vozite velikom brzinom.
 - NE VOZITE uz niti niz stube niti ne preskačite prepreke.
 - NE SKIDAJTE ruke s upravljača tijekom vožnje. NE VOZITE samo jednom rukom.
- NE VOZITE kroz lokve niti bilo kakve druge vodene prepreke. Smanjite brzinu i zaobiđite vodenu prepreku.
 - NE VOZITE nikakve suputnike. Električni romobil namijenjen je samo za jednu osobu koja njime upravlja.
 - NE VOZITE DIJETE!
 - Ne vozite romobil trudni.
 - NE KORISTITE mobilni telefon niti ne nosite slušalice dok upravljate električnim romobilom.
 - NE DIRAJTE poklopac motora nakon vožnje jer može biti vruć.
 - Uvijek držite obje ruke na upravljaču jer u suprotnom su moguće ozbiljne ozljede zbog gubitka ravnoteže i pada.
 - Koristite samo po suhom vremenu.
 - Ne preporučujemo korištenje po javnim cestama.
 - Nikad naglo ne skrećite dok ste u punoj brzini.
 - Ne krećite niti ne zaustavljajte naglo.
 - Električni romobil vozite brzinom koja je sigurna za vas i ostale sudionike u prometu, a tijekom vožnje budite spremni u svakom trenutku zaustaviti romobil.
 - Tijekom vožnje električnim romobilom održavajte razdaljinu od ostalih sudionika u prometu kako biste spriječili sudar.
 - Prilikom skretanja morate koristiti težište svog tijela, nagle promjene težišta mogu prouzročiti ozljede i štete.
 - Redovito provjeravajte ima li na ležajevima vlage i prljavštine. Osušite i očistite ležajeve. Nakon čišćenja prema potrebi podmažite ležajeve. Za tu svrhu koristite isključivo namjenska i prikladna maziva. Provjerite i položaj upravljača kako biste se uvjerali da je proizvod siguran za upotrebu.
 - Nikakve izmjene i preinake nisu dopuštene osim onih koje je proizvođač izričito naveo.
 - sigurnosne matice i ostala sigurnosna oprema može se opustiti i izgubiti učinkovitost.
 - Izbjegavajte vožnju po velikim kosinama.

VIII. ČIŠĆENJE I ODRŽAVANJE

Ovaj električni romobil može se koristiti kao prijevozno sredstvo i kao takav zahtijeva održavanje svih dijelova koje se zbog korištenja troše i nisu pokrivene jamstvom.

ČIŠĆENJE

Prije čišćenja provjerite je li električni skuter isključen, kabel za punjenje odvojen, a gumeni poklopac na priključku za punjenje dobro zatvoren; inače možete oštetiti elektroničke komponente. Uvijek najprije odvojite proizvod s punjača, utikač za punjenje pokrijte vodonepropusnim poklopcem, isključite napajanje proizvoda i tijekom čišćenja izbjegavajte dodir tekućine s baterijom, motorom i drugim elektroničkim dijelovima kako biste izbjegli nepredviđenu opasnost. Prilikom čišćenja proizvoda ne koristite visokotlačni mlaz vode niti ga uranjajte u vodu.

Električni romobil čistite samo vlažnom krpom. Ako trebate sastrugati prljavštinu, koristite meku četku, a zatim vlažnu krpom.

Obavezno pokrijte priključak za punjenje kako biste izbjegli probleme s elektroničkim dijelovima.

Ne koristite alkohol, benzin, kerozin ili druge hlapljive ili korozivne kemijske tvari. To može oštetiti i izgled i unutarnju strukturu električnog skutera. Isto tako, ne koristite tlačni pištolj za vodu niti tekuću vodu

SKLADIŠTENJE

Električni skuter čuvajte na hladnom i suhom mjestu dok nije u upotrebi. Izbjegavajte ga ostavljati vani, jer nije proizveden za korištenje u vlažnim uvjetima, u blizini korozivnih sredstava kao što su morska voda, luke i sl. Ne preporučuje se niti dugotrajno izlaganje visokim temperaturama na sunцу.

IX. RUKOVANJE BATERIJOM I ZABRANJENI POSTUPCI

Ne koristite druge modele ili robne marke baterija, koristite samo originalne baterije.

Ne stavljajte bateriju na mjesta s temperaturama višim od 50 °C ili nižim od -20 °C (na primjer, ne stavljajte električni skuter u prtljažnik automobila ljeti) i nemojte stavljati bateriju u blizinu vatre. U suprotnom mogući su kvarovi baterije, pregrijavanje, a postoji i rizik od požara.

Izbjegavajte potpuno praznjenje baterija, bolje ih je puniti dok još u njima ima nešto snage. To će produžiti vijek trajanja baterije. Također, ako vozite električni skuter u vrlo hladnim ili toplim područjima, vrijeme korištenja baterija može se skratiti. Tu se ne radi o kvaru baterija, već je to posljedica njihovih uobičajenih svojstava.

Ako se baterija ne koristi dulje od 30 dana, potpuno je napunite i pohranite na hladnom i suhom mjestu te je u potpunosti napunite svakih 60 dana. Nepoštivanje ovih uputa može oštetiti bateriju, što nije obuhvaćeno jamstvom.

Zabranjeno je rastavljanje pretinca za bateriju. Rukovanje baterijom dopušteno je samo u službenim tehničkim servisima ili pridruženim radionicama.

Za punjenje koristite samo originalni punjač, inače postoji opasnost od šteta ili požara.

Neodgovarajuće odlaganje iskorištenih baterija može prouzročiti ozbiljno onečišćenje okoliša. Prilikom odlaganja baterija pridržavajte se lokalnih propisa.

Napunite bateriju nakon svake upotrebe, to će produžiti njezin radni vijek.

OPASNOST!

Baterija sadrži zapaljive i opasne tvari. Nepravilno rukovanje može prouzročiti požar, dim, eksploziju i teške tjelesne ozljede ili gubitak imovine. Uvijek pročitajte i pridržavajte se upute o zabranjenim radnjama, nosite odgovarajuću osobnu zaštitnu opremu prije izvođenja bilo kakvih radnji povezanih s baterijom.

Držite bateriju podalje od dojenčadi i djece kako biste izbjegli nesreće. Ako mlađa djeca koriste bateriju, njihovi skrbnici trebaju objasniti pravilan način rukovanja i mjere opreza prije uporabe te uvijek osigurati cjelovitost i zaštitu baterije.

Koristite samo namjenski punjač i punite bateriju samo na predviđen i opisan prikladan način. Ne punite bateriju izravno iz električne utičnice ili punjačem za automobilski upaljač. Ne punite bateriju bez nadzora.

- Ne punite bateriju obrnutim polaritetom.
- Ne ostavljajte bateriju blizu vatre ili zagrijanog izvora i ne bacajte je u vatru.
- Ne punite niti ne koristite bateriju u automobilu ili sličnom mjestu gdje temperatura može dostići i više od 50 °C.
- Ne uranjajte, ne bacajte niti ne močite bateriju vodom / morskom vodom i sl.
- Ne spajajte kratko niti ne povežite metalnim predmetom (+) pozitivne i (-) negativne priključke baterije. Ne spremajte bateriju u džep ili torbu zajedno s metalnim predmetima kao što su ključevi, ogrlice, ukosnice, kovanice ili vijci.
- Ne bušite bateriju oštrim predmetom poput igle ili odvijača.
- Ne zagrijavajte bilo koji dio baterije zagrijanim predmetima kao što je lemilo.
- Nemojte udarati teškim predmetima kao što su čekić ili uteg. Nemojte stati na bateriju, baciti je ili ispustiti kako biste spriječili mehaničke udare. Ne koristite jako izobličenu bateriju.

- Ne rastavljajte bateriju, nemojte vršiti nikakve preinake baterije uključujući izvedbu električnog kruga
- Ne lemite izravno na bateriju i nemojte zajedno koristiti niti sastavljati stare i nove baterije.
- Ne stavljajte bateriju u mikrovalnu pećnicu, sušilicu ili posudu pod visokim tlakom.
- Ne koristite niti ne sastavljajte bateriju s baterijama drugih proizvođača, različitim tipovima i/ili modelima baterija kao što su suhe baterije, nikal-metalne vodikove baterije ili nikal-kadmijeve baterije.

Držite podalje od vatre čim otkrijete istjecanje iz baterije ili neugodan miris. Ako tekućina koja istječe iz baterije dođe u kontakt s kožom ili odjećom, odmah dobro isperite vodom. Ako tekućina koja istječe iz baterije dođe u kontakt s očima, ne trljajte oči već ih isperite čistom vodom i odmah potražite liječniku pomoć. Ako se priključci baterije zaprljaju, obrišite ih suhom krpom prije korištenja baterije.

Prije odlaganja pokrijte priključke baterije odgovarajućom izolacijskom trakom.

Prije korištenja / postavljanja / uklanjanja baterije ili korištenja punjača, uvijek pročitajte korisnički priručnik i pridržavajte se mjera opreza pri rukovanju.

Zamijenite bateriju kada vrijeme korištenja baterije postane puno kraće nego inače.

Ako je bateriju potrebno pohraniti na dulje vrijeme, potrebno ju je izvaditi iz proizvoda i pohraniti na mjesto male vlažnosti i niže temperature.

Dok se baterija puni, koristi i čuva, držite je podalje od predmeta izrađenih od materijala sklonih statičkom elektricitetu.

Za zamjenu nije moguće koristiti nepunjivu bateriju.

Prije odlaganja bateriju treba izvaditi iz uređaja.

Prilikom uklanjanja baterije uređaj treba isključiti s električne mreže.

Bateriju treba odložiti na siguran način.

Ne koristite bateriju u slučaju stvaranja statičkog elektriciteta (više od 100 V), zaštitni krug baterije će se oštetiti.

Ne vadite bateriju. Vađenje baterije je komplicirano i može promijeniti rad uređaja. Za rukovanje baterijom potrebno je kontaktirati samo ovlašteni servis.

Ne pohranjujte niti ne punite bateriju na temperaturama izvan navedenih granica (pogledajte u ovom priručniku). Ne bušite bateriju. Provjerite lokalne zakone i propise u svezi recikliranja i/ili odlaganja baterija.

Dobro održavana baterija bit će učinkovita i nakon mnogo prijeđenih kilometara. Bateriju puniti nakon svake vožnje i izbjegavajte potpuno pražnjenje baterije.



UPOZORENJE!

Držite podalje od vatre čim otkrijete istjecanje iz baterije ili neugodan miris. Ako tekućina koja istječe iz baterije dođe u kontakt s kožom ili odjećom, odmah dobro isperite vodom. Ako tekućina koja istječe iz baterije dođe u kontakt s očima, ne trljajte oči već ih isperite čistom vodom i odmah potražite liječniku pomoć. Ako se priključci baterije zaprljaju, obrišite ih suhom krpom prije korištenja baterije.

Prije odlaganja pokrijte priključke baterije odgovarajućom izolacijskom trakom.

Prije korištenja / postavljanja / uklanjanja baterije ili korištenja punjača, uvijek pročitajte korisnički priručnik i pridržavajte se mjera opreza pri rukovanju.

Zamijenite bateriju kada vrijeme korištenja baterije postane puno kraće nego inače.

Ako je bateriju potrebno pohraniti na dulje vrijeme, potrebno ju je izvaditi iz proizvoda i pohraniti na mjesto male vlažnosti i niže temperature.

Dok se baterija puni, koristi i čuva, držite je podalje od predmeta izrađenih od materijala sklonih statičkom elektricitetu.

Za zamjenu nije moguće koristiti nepunjivu bateriju.

Bateriju treba izvaditi iz uređaja prije nego što se isprazni.

Prilikom uklanjanja baterije uređaj treba isključiti s električne mreže.

Bateriju treba odložiti na siguran način.

Ne pokušavajte rastaviti bateriju. Ne dodirujte kontakte baterije. Ne rastavljajte niti ne bušite kućište.

Držite kontakte baterije podalje od metalnih predmeta kako biste spriječili kratki spoj. Opasnost od požara i strujnog udara. Ne puniti niti ne koristite bateriju ako je oštećena ili ako vidite tragove vode.

U slučaju nesreće ili kvara: obratite se ovlaštenom serviseru u svojoj zemlji.

Korisnik se mora obratiti ovlaštenoj ili specijaliziranoj službi za korisnike.

X. Punjenje/praznjenje i pohrana baterije

Upozorenje: uvijek se pridržavajte sljedećih uputa.

Koristite samo originalni punjač, nepravilna uporaba može uzrokovati osobne ozljede i gubitak imovine. Jamstvo ne obuhvaća nikakvu odgovornost za štete zbog korištenja neoriginalnog punjača.

Ne punite u blizini izvora tekućine/vatre, uvijek izbjegavajte zapaljive tvari. Tijekom punjenja ne ostavljajte uređaj bez nadzora.

Ne punite uređaj ako su priključak za punjenje ili kabel za punjenje mokri.

Ne punite niti ne koristite bateriju ako je oštećena ili ako vidite tragove vode.

Sučelje za punjenje ima poseban utor. Nemojte silom umetati priključnicu jer to može prouzročiti oštećenje uređaja.

Indikator punjača svijetli crveno kada se baterija puni. Indikator punjača svijetli zeleno kada je punjenje završeno.

Uklonite punjač kada indikator punjača svijetli zeleno. Prekomjerno punjenje ili prekomjerno praznjenje prouzročit će nepovratno oštećenje baterije ili gubitak imovine. Ako tijekom punjenja odmah nakon vožnje indikator punjača ubrzo počeo svijetliti zeleno, odvojite punjač i pustite neka se baterija ohladi prije ponovnog punjenja. To je normalna pojava pametne zaštite zbog visoke unutarnje temperature baterije. Punjenje može početi nakon što se baterija ohladi.

Prekinite punjenje i odvojite punjač ako baterija nije do kraja napunjena nakon preporučenog vremenskog razdoblja. Za dodatne informacije obratite se korisničkoj službi.

Priključak za punjenje nakon svakog punjenja treba prekriti pričvršćenim gumenim poklopcem.

Priilikom rukovanja baterijom uvijek budite posebno oprezni.

Prestanite koristiti bateriju ako se ona neuobičajeno zagrije, ako se tijekom uporabe, punjenja ili skladištenja osjeti miris, otkrije promjena boje, izobličenje ili drugo neuobičajeno stanje.

Baterija se može koristiti u sljedećim temperaturnim rasponima. Nemojte prekoračiti ove raspone.

Radna temperatura: -10 – 60 °C (učinkovitost baterije ovisi o temperaturi)

Temperatura za punjenje: 10 – 45 °C

Temperatura skladištenja i transporta: -10 – 45 °C

Vlažnost kod skladištenja 10 – 80 %

XI. Informacije o proizvodu

Naziv proizvoda	Acer električni romobil ES serija 5
Model	AES015
Dimenzije, rasklopljen	118 D x 49 Š x 125 V (cm)
Dimenzije, sklopljen	118 D x 49 Š x 55 V (cm)
Težina s baterijom	18,5 kg
Motor	350 W
Baterija	15 Ah
Vrsta baterije	litij-ionska
Proizvođač baterije	TIANHONG
Punjenje	42 V / 2,0 A
Proizvođač adaptera: FUYUANDIAN, Model br.: FY-4202000	
Vrijeme potpunog punjenja	4 sata
Maksimalna brzina	20 km/h ili 25 km/h (ovisno o državnim propisima)
Maksimalni domet bez punjenja	60 km
Regulacija brzine	da
Brzine	3
Razina brzina po rasponima	0 – 6 km/h; 0 – 10 km/h; 0 – 20 ili 25 km/h (ovisno o državnim propisima)
Mehanizam preklapanja	Da
Glavni materijal	daska od aluminijske legure, čelični gornji dio stupa upravljača
Maksimalno opterećenje	do 100 kg
Razmak do tla	11 cm
Upravljač podesiv po visini	ne
Kočnice	prednja električna kočnica i stražnja disk kočnica

Zaslon	LED zaslon
Amortizer na kotaču	Da
Kotači	kotači s punim gumama
Materijal gume	guma
Pogonska jedinica	Pogon na prednjem kotaču
Promjer kotača	10 inča
Vodonepropusnost	IPX4
Svjetla	da
Prednje svjetlo	da
Aplikacija	ne
Zvučni signal	da
Zadnje svjetlo	da
Bluetooth	da
Mogućnost uspona	10°

XII. Drugo

1. Datum proizvodnje otisnut je na nazivnoj pločici

2.  **Pohrana**

Proizvod držite na suhom, hladnom i sigurnom mjestu, izbjegavajte vlažna mjesta i visoke temperature. Vлага može prouzročiti oštećenja dijelova. Kad je litijska baterija na kraju svog radnog vijeka, obratite se lokalnoj službi za recikliranje i odložite je u skladu s nacionalnim ili lokalnim zakonima i propisima.

- Radna temperatura -10 – 60 °C
- Temperatura za punjenje: 10 – 45 °C
- Temperatura skladištenja i transporta: -10 – 45 °C
- Vlažnost kod skladištenja 10 – 80 %

3. Ovaj proizvod ne smije se odlagati s kućnim otpadom. Reciklirajte ovaj proizvod kako biste smanjili zagađenje okoliša u skladu s lokalnim propisima ili se obratite svom lokalnom gradskom uredu, službi za zbrinjavanje kućnog otpada.

4. 1) Uređaji nisu namijenjeni za korištenje na nadmorskim visinama većim od 2000 m.

2) Dugotrajno izlaganje UV zrakama, kiši i vremenskim nepogodama može oštetiti materijal kućišta, dok se ne koristi čuvajte u zatvorenom prostoru.

3) UPOZORENJE - Opasnost od požara - Nema dijelova koje korisnik može servisirati.

EU izjava o usklađenosti

Mi,

Acer Incorporated

8F, 88, Sec. 1, Xintai 5th Rd., Xizhi, New Taipei City 221, Taiwan

i,

Acer Italy s.r.l.

Viale delle Industrie 1/A, 20044 Arese (MI), Italy

Tel: +39-02-939-921, Faks: +39-02 9399-2913

www.acer.it

Proizvod: Acer električni romobil ES serija 5

Trgovački naziv: acer

Broj modela: AES015

SKU broj: AES015 *****

("x"=0-9, a-z, A-Z ili prazno)

Mi, Acer Incorporated pod punom odgovornošću izjavljujemo kako je gore opisani proizvod usklađen s odgovarajućim propisima o usklađivanju u Uniji: Direktiva o strojevima 2006/42/EZ i Direktiva o ograničenju opasnih tvari RoHS 2011/65/EU. Primijenjene su sljedeće norme o usklađivanju i/ili ostale relevantne norme:

EN 17128:2020

EN 300 328 V2.2.2

EN 301 489-1 V2.2.3

EN 301 489-17 V3.2.4

EN 62479:2010

EN IEC 63000:2018

Godina za početak primjene CE označavanja: 2022.



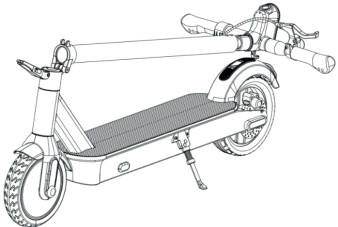




RU Jan / Viši rukovoditelj

Acer Incorporated (Taipei, Taiwan)

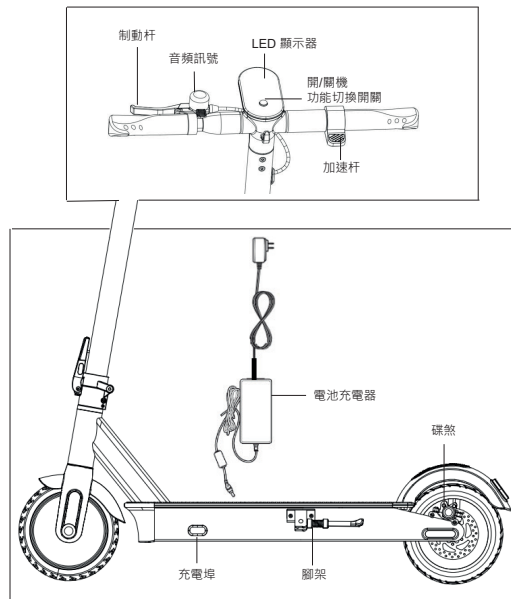
5/16/2022

Datum

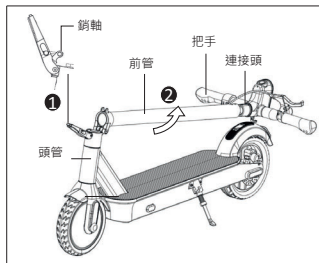
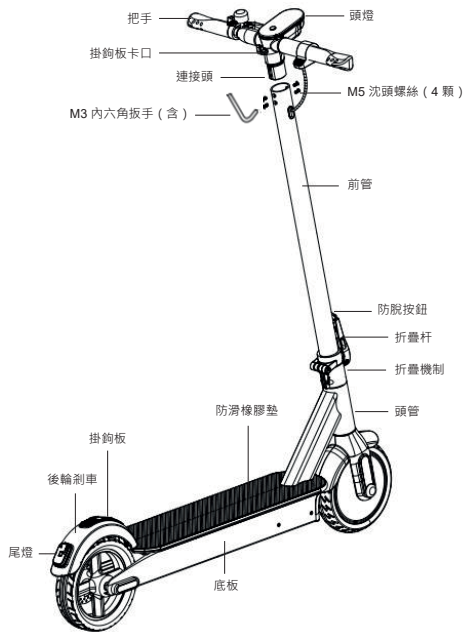
I. 包裝內容

滑板車 *1	
M3 內六角扳手 *1	
用戶使用手冊 *1	
電池充電器 *1	
M5*14L 沈頭螺絲 *4 個	

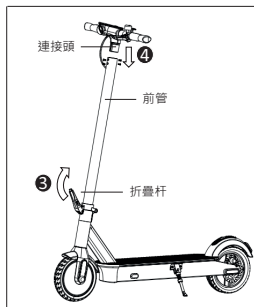
II. 零部件



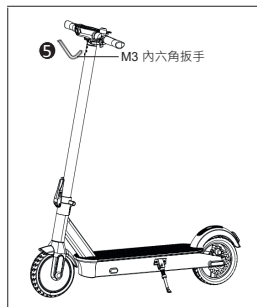
III. 組裝



- 1 將折疊把手充分打開，直至將銷軸露出。
- 2 將把手、連接頭與前管一同抬起直立，與頭管保持水平。



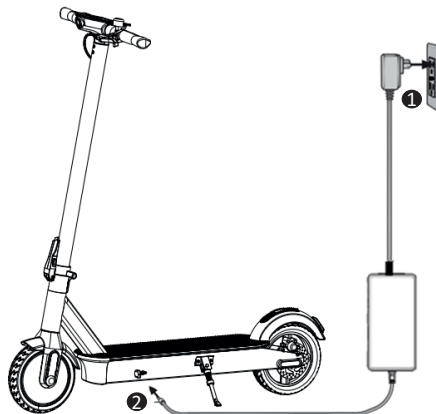
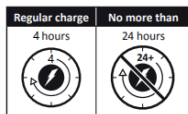
- 3 鎖緊折疊杆。
- 4 將連接頭插入前管。



- 5 用隨附的 M3 內六角扳手鎖緊前管的 4 顆螺絲。

IV. 電池充電

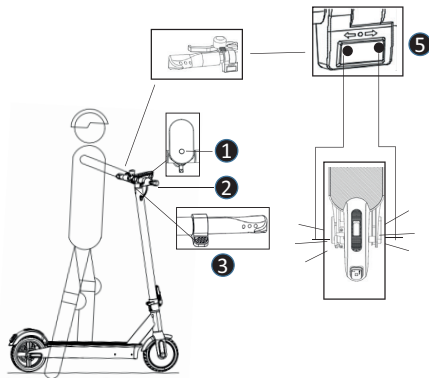
注意：充電時，充電器指示燈會亮紅色。充電完成後會亮綠色。



V. 操作方式

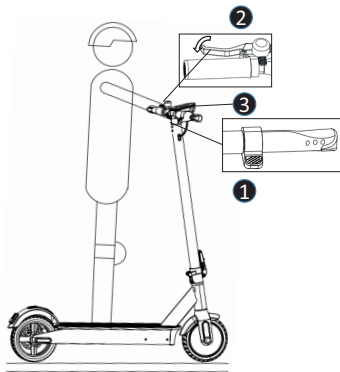
啟動滑板車

1. 長按開關鍵 3 秒鐘可開啟滑板車電源。
短按開關鍵一次可開/關前燈。
連續按兩次開關鍵可切換速度檔位。
連續按三次開關鍵可切換「公里/時」與「英里/時」。
2. 雙手緊握把手。
3. 一腳踏在底板上，另外一腳向後踢地面協助加速，車子滑動後輕輕地按下加速杆。
4. 電機啟動後，雙腳立於底板上。
5. 方向燈（選配）。



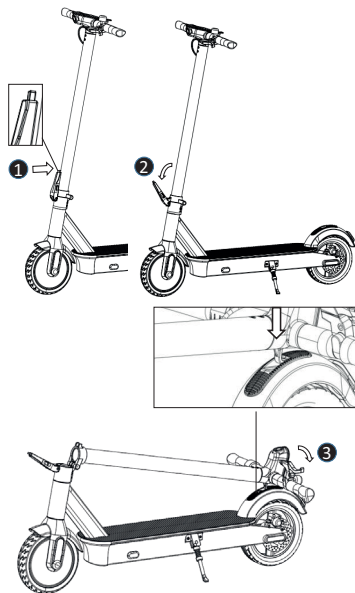
關閉滑板車

1. 鬆開加速杆。
2. 按下制動杆。
3. 不使用時請關閉滑板車電源。



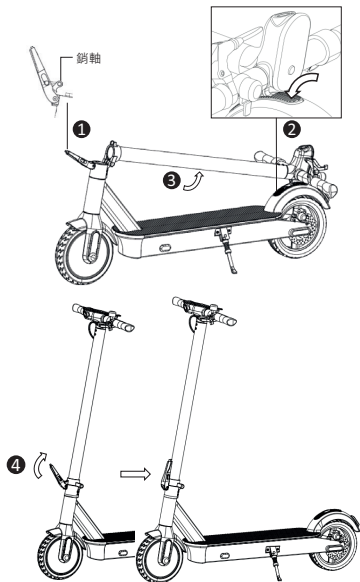
折疊滑板車

1. 按下防脫按鈕。
2. 鬆開折疊杆。
3. 將前管向後折疊，使掛鉤卡入位於後輪煞車的掛鉤板卡口內。



展開滑板車

1. 將折疊把手充分打開，直至將銷軸露出。
2. 按下掛鉤板，使掛鉤脫離掛鉤板卡口。
3. 抬起前管。
4. 鎖緊折疊杆。



VI. 故障排除指南

故障代碼說明及解決方法

故障代碼	故障說明	解決方法
0E	電量不足	將電池充滿電。
1E	電池過充	移除充電器。若仍未消除故障代碼，請聯繫經銷商檢修。
2E	控制器故障	請聯繫經銷商檢修。
3E	控制器溫度過高， 啟動保護程式	請暫停使用滑板車，待溫度下降後再試騎。
4E	訊號線可能鬆動或 脫落	請聯繫經銷商檢修。
5E	電機與控制器連接處 鬆脫	請聯繫經銷商檢修。
6E	加速器故障	請聯繫經銷商檢修。
7E	煞車系統故障	請聯繫經銷商檢修。
8E	電流過高，啟動保護 程式	關閉滑板車，稍後重新啟動。 若仍未消除故障代碼，請聯繫 經銷商檢修。
9E	電機堵轉	關閉滑板車，稍後重新啟動。 若仍未消除故障代碼，請聯繫 經銷商檢修。

電池無法充電

解決方案：

1. 未正確插入插頭。
2. 充電器損壞，請使用新的充電器。
3. 電池連接充電座端子鬆脫，重新插入該端子。

充電後續航里程不足

解決方案：

1. 充電不足，請讓電池完全充電。
2. 上坡、強逆風、負重過大、路況不佳和低溫導致耗電量過大。
3. 電池連接充電座端子鬆脫，重新插入該端子。

時速過低

解決方案：

1. 電池電壓過低，請讓電池完全充電。

制動失效

解決方案：

1. 制動線芯過長，重新拉緊剎車線芯鎖緊。
2. 如果剎車器損壞，請更換原廠剎車器。

注意：發現故障時，請聯繫經銷商檢修。請勿自行修理或改裝滑板車，這會導致保固失效並造成傷害。

VII. 安全騎行

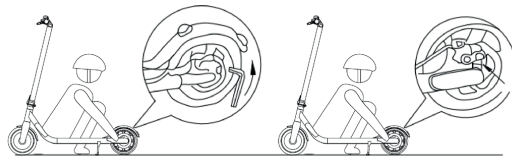
使用此裝置前須經學習過程。使用前未經正確學習過程可能會導致傷害。請採取保護措施以避免損壞。一旦完成這些步驟，您便可啟動電動滑板車：



調整煞車

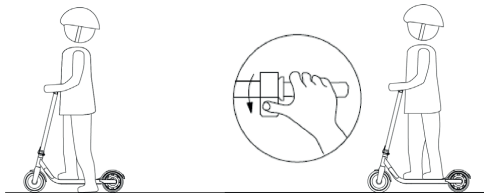
在每次騎行前檢查剎車。如果您覺得煞車過緊，以六角扳手逆時針鬆開盤式煞車座的壓盤螺絲，鬆開煞車線，稍微縮短煞車線的長度，然後鎖緊壓盤螺絲。如果您覺得煞車過鬆，請鬆開壓盤螺絲，拖動煞車線，稍微延長長度，然後再鎖緊壓盤螺絲。

警告！緊急煞車時，您可能會因失去動力及跌倒而造成嚴重傷害。保持適中的速度，注意潛在的危險。



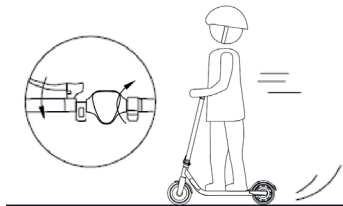
操作方式

保持一隻腳在底板上，一隻腳在地上。利用在那隻腳滑踢，當達到 3 km/h 時開始加速。保持另一隻腳在底板上，適當加速或保持一定的速度。為了您的安全，請在開始前進時採取這個動作。

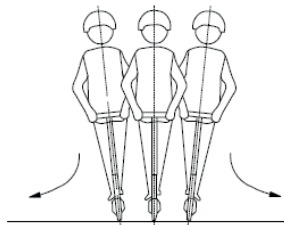


定速

按住加速器可固定速度，提高行程的舒適性。要取消此功能，請啟動煞車。

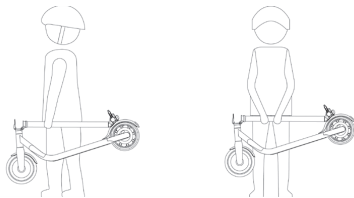


不斷循環找到平衡姿勢：



折疊與運輸

折疊後，用手握住電動滑板車的車把進行運輸，如圖所示：



警告：不遵照這些說明可能會導致嚴重傷害。

- 請勿在雨中騎行電動滑板車。
- 嚴禁淋濕。
通過出入口時，注意頭部。
當您穿越減速帶、電梯門溝、顛簸的道路或其它不平坦的表面時，請將車速保持在 3.1 至 6.2 mph (5-10 km/h) 之間。稍微彎曲膝蓋以更好地適應上述地面。

- 請勿把腳放在後擋泥板上。
- 與電動滑板車一起行走時，請勿拉動加速手把。避免輪胎/車輪接觸障礙物。
- 請勿在把手上懸掛重物。
- 請勿單腳騎行電動滑板車。
- 請勿騎行在公共道路、汽車專用道或高速公路。
- 高速行駛時，請勿猛烈旋轉把手。
- 請勿在上下樓梯時騎行，或跳過障礙物。
- 請勿在行進間鬆開雙手。請勿單手騎行。
- 請勿騎越水坑或任何其它（水）障礙物。在這種情況下，請降低速度並繞過障礙物。
- 請勿與其他人共乘。電動滑板車僅供單人騎乘。
- 請勿跟孩童共乘。
- 孕婦請勿騎乘。
- 騎行電動滑板車時，請勿使用手機或佩戴耳機。
- 騎行後馬達會變熱，請勿觸摸。
- 請務必將雙手放在把手上，否則您可能會因失去平衡及跌倒而造成嚴重傷害。
- 僅在乾燥的天候下使用。
- 我們不建議在公共道路騎行。
- 高速騎行時，請勿急轉。
- 請勿緊急啟動或停止。
- 無論是對您還是其他人，請保持電動滑板車在安全的騎行速度，並可隨時停止。
- 騎行電動滑板車時，請跟他人保持距離以避免碰撞。
- 迴轉時必須利用身體的重心；重心劇烈變化可能會造成損壞。
- 定期檢查軸承的濕氣與髒污。清潔軸承並保持乾燥。如有需要，請在清潔軸承後塗上黃油潤滑。僅使用合適的潤滑劑。同時請檢查龍頭定位，確保本產品的安全性。
- 除了製造商的說明外，不得進行任何其它修改。
- 自鎖螺母和其它自鎖固定裝置可能失效時
- 避免在斜坡上騎行。

VIII. 清潔與保養

此電動滑板車可作為運輸工具，因此需要保養其所有元件，這些元件會因正常使用而磨損，不在保固範圍內。

清潔

在清潔前，請確保電動滑板車電源已關閉，已拔下充電線，充電埠上的橡膠蓋已密封；否則您可能會損壞電子元件。請務必先斷開產品連接的充電器，覆蓋充電防水插頭，關閉產品電源，並在清潔過程中避免液體接觸電池、馬達和其它電子零件，以避免發生危險。請勿使用高壓水槍清潔產品或將其浸泡在水中。

請使用濕布來清潔電動滑板車。如果你需要清除污垢，請利用軟刷然後用濕布擦拭。

請務必覆蓋充電埠，以避免電子元件出現問題。

請勿使用含有揮發性或腐蝕性化學成分的酒精、汽油、煤油。這可能會損壞電動滑板車的外觀和內部結構。此外，不要使用壓力水槍或自來水。

保存

不使用時，請把電動滑板車存放在陰涼乾燥的環境。由於並非專為在潮濕區域使用而製造，請避免放在室外，請勿靠近腐蝕性物質，例如海水、港口等等。也不建議將其長時間暴露在陽光直射引起的高溫下。

IX. 電池操作與禁止行為

請勿使用其它型號或品牌的電池，僅使用原廠電池。

請勿把電池放置在溫度高於 50°C 或低於 -20°C 的環境（例如，不要在夏天把電動滑板車放在汽車後車箱），並且請勿把電池放在靠近火源的地方。否則可能會導致電池故障、過熱，甚至會有發生火災的風險。

避免電池完全放電，最好在電池耗盡之前充電。這可延長電池的使用壽命。此外，如果您在極寒冷或高溫的地區駕駛電動滑板車，電池可使用的時間將會降低。這並非電池故障，而是正常情況。

如果電動滑板車預計閒置超過 30 天，請將電池充滿電並放置在乾燥陰涼處，並每 60 天充電一次。不遵照這些步驟可能會損壞電池，並且這類損壞不在保固範圍內。

禁止拆卸電池組。只允許在官方技術維修或附屬工廠進行操作。

僅可使用原廠充電器進行充電，否則會有損壞或火災的風險。

不當丟棄廢舊電池可能造成嚴重環境污染。請依當地政府規定丟棄本電池組。

每次使用後，請對電池進行充電，延長電池的使用壽命。



危險！

電池組包含易燃及危險物質。操作不當可能導致火災、煙霧、爆炸和嚴重的人身傷害或財產損失。在進行任何電池相關操作之前，請務必閱讀並遵守以下禁止行為，同時穿戴適當的防護裝備。

請讓電池遠離嬰兒與兒童，以避免任何事故。如果由小孩使用電池，監護人應在使用前解釋正確的操作方法和注意事項，並始終確保電池的完整性。

僅使用專用充電器，並僅以指定的方式為電池充電。請勿直接經由電源插座或汽車點煙器進行充電。不要在無人看管的情況下對電池充電。

- 請勿對電池進行反向充電。
- 電池不可靠近火焰或火源，也不要將電池扔進火中。
- 禁止在汽車或類似的地方充電或使用電池，其中溫度可能達到 50°C。
- 請勿把電池浸泡、投入水 / 海水中、及弄濕。

- 禁止利用金屬造成短路或連接 (+) 正極和 (-) 負極。請勿讓電池跟鑰匙、項鍊、髮夾、硬幣或螺絲等金屬物品一同存放在口袋或袋中。
- 禁止用尖銳的物體（如針頭、螺絲刀）刺穿電池。
- 禁止使用烙鐵等高溫物體局部加熱電池。
- 不要用錘子、砵碼等重物敲打。禁止踩踏電池及拋擲或掉落，以免電池受到機械衝擊。不要使用變形的電池。
- 禁止拆開電池或修改電池設計（包括電路）。
- 禁止直接在電池上焊接，也不要將新舊電池組合在一起使用。
- 禁止把電池放入微波爐、烘乾機或高壓容器。
- 請勿跟其他製造商的電池、不同類型和/或型號的電池（例如乾電池、鎳金屬氫電池或鎳鎘電池）一同使用或組合。

若偵測到泄漏或臭味時，請立即遠離火源。如果液體泄漏到皮膚或衣服上，請立即用清水洗淨。如果液體從電池泄漏並進入您的眼睛，請勿擦您的眼睛，用乾淨的水洗淨，並立即就醫。如果電池電極變髒，請在使用電池前用乾布擦拭。

在丟棄前以適當的絕緣膠帶覆蓋電極。

在使用/安裝/拆下電池或使用充電器之前，請務必閱讀使用手冊並遵守操作的注意事項。

當電池的使用時間比平時短很多時，請更換電池。

如果需要長時間儲存電池，應把電池從設備中取出並儲存在濕度和溫度較低的地方。

當向充電電池、使用和儲存時，請遠離帶有靜電的物體。

不可替換非充電電池。

必須先從設備中取出電池，然後才能報廢。

拆下電池時，必須斷開設備連接的電源。

請妥善處理丟棄的電池。

請勿在有靜電（超過 100V）的情況下使用電池，這會損壞電池保護電路。

請勿拆下電池。要拆下電池很複雜，可能會造成設備異常。您必須聯絡授權維修中心才能操作電池。

電池的儲存或充電不可超出規定的溫度限制（請參閱本手冊的內容）。請勿擊穿電池。請參閱當地有關電池回收和/或丟棄的法律規定。

維護良好的電池即使在騎行數英里後也能表現良好。每次騎行後請為電池充電，避免電池完全耗盡。



警告！

若偵測到泄漏或臭味時，請立即遠離火源。如果液體泄漏到皮膚或衣服上，請立即用清水洗淨。如果液體從電池泄漏並進入您的眼睛，請勿擦您的眼睛，用乾淨的水洗淨，並立即就醫。如果電池電極變髒，請在使用電池前用乾布擦拭。

在丟棄前以適當的絕緣膠帶覆蓋電極。

在使用/安裝/拆下電池或使用充電器之前，請務必閱讀使用手冊並遵守操作的注意事項。

當電池的使用時間比平時短很多時，請更換電池。

如果需要長時間儲存電池，應把電池從設備中取出並儲存在濕度和溫度較低的地方。

當向充電電池、使用和儲存時，請遠離帶有靜電的物體。

不可替換非充電電池。

必須先從設備中取出電池，然後才能報廢。

拆下電池時，必須斷開設備連接的電源。

請妥善處理丟棄的電池。

請勿嘗試拆解電池。請勿觸摸電池接點。請勿拆卸或擊穿外殼。

保持電池接點遠離金屬物體，避免短路。火災和觸電風險。如果電池損壞或發現水痕，請勿充電或使用電池。

如果發生意外或故障：請聯絡您所在國家/地區的授權維修廠商。

使用者必須聯絡授權或專業的客戶服務。

X. 充電/放電和儲存電池

 **警告：務必遵守以下訊息。**

僅使用原廠充電器，不當使用可能造成人身傷害及財產損失。保固不承擔因使用非原廠充電器而造成的任何責任。

請勿在任何液體/火源附近充電，請務必迴避可燃物質。請勿在無人看管時向裝置充電。

如果充電埠或充電線潮濕，請勿充電。

如果電池損壞或發現水痕，請勿充電或使用電池。

充電介面配有特殊插槽。請勿強行插入接頭，這會導致裝置損壞。

當電池充電時，指示燈會亮紅色。充電完成時，指示燈呈綠色。

當指示燈呈綠色時，請移除充電器。過充或放電過度會導致電池不可逆轉的損壞或財產損失。如果騎行後充電時充電指示燈立即變為綠色，請斷開充電器的連接，並讓電池冷卻後再充電。這是因為電池內部溫度高而啟動智慧保護的正常現象。電池冷卻後可開始充電。

如果電池在以下建議的時間後仍未充滿電，請停止充電並斷開充電器。更多资讯請聯絡客戶服務。

每次充電後，充電埠必須用附帶的橡膠蓋蓋住。

在操作電池時，務必特別小心。

如果電池變得異常熱，或者在使用、充電或儲存過程中發現異味、變色、變形或其它異常情況，請停止使用電池。

可在以下溫度範圍內使用電池。請不要超出這些範圍。

操作溫度：-10-60°C（電池效能因溫度而異）

充電溫度：10-45°C

儲存與運輸溫度：-10-45°C

儲存濕度：10-80%

XI. 使用資訊

產品名稱	宏碁電動滑板車 ES 系列 5
型號	AES015
尺寸（展開後）	118（長）x 49（寬）x 125（高）（公分）
尺寸（折疊後）	118（長）x 49（寬）x 55（高）（公分）
重量（含電池）	18.5 公斤
馬達	350W
電池	15Ah
電池類型	鋰離子
電池製造商	TIANHONG
充電	42V/2.0A
充電器製造商：FUYUANDIAN · 機型：FY-4202000	
完全充電時間	4 小時
最大速率	20 km/h 或 25 km/h（依照國家規定）
最大不充電距離	60Km
變速	有
變速模式	3
變速等級	0-6km/h；0-10km/h；0-20 或 25 km/h （依照國家的規定）
折疊機制	有
主要材質	鋁合金底板，不鏽鋼前管
最大荷重	最多可達 100 公斤
間隙	11 公分
把手高度可調節	否
剎車	前電子剎車與後碟剎

顯示器	LED 顯示器
車輪避震器	有
車輪	實心輪
輪胎材質	橡膠
傳動裝置	前輪驅動
車輪直徑	10"
防水	IPX4
反射器	有
頭燈	有
應用程式	否
音頻訊號	有
背光	有
Bluetooth	有
爬坡能力	10°

XII. 其他

1. 製造日期請參閱產品標籤

2.  儲存設備

請將此產品存放在乾燥、陰涼和安全的地方，避免潮濕及高溫。濕度可能導致電子元件損壞。當鋰電池出現損壞時，請聯絡您當地的回收機構，並根據您的國家或地方法律規定丟棄鋰電池。

- 操作溫度：-10-60°C
- 充電溫度：10-45°C
- 儲存與運輸溫度：-10-45°C
- 儲存濕度：10-80%

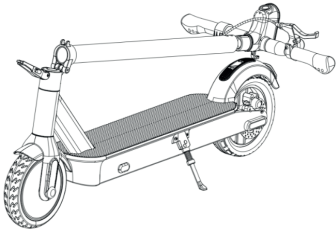




3. 本產品不得跟其它生活垃圾一同丟棄。請按照當地法規進行回收，盡可能減少環境污染，或聯絡您當地的政府機構及生活垃圾處理服務單位。

4. 1) 裝置不適用於海拔高度 2000 公尺以上。

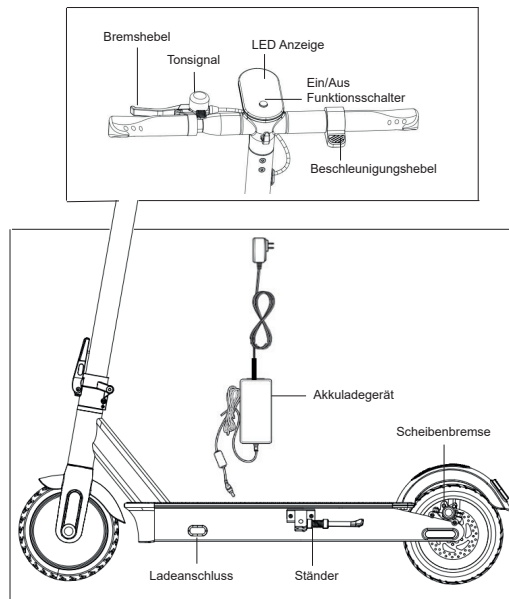
2) 長時間暴露於紫外線、雨水及此類條件可能會損壞外殼材料，不使用時請存放於室內。

3) 警告 - 火災風險 - 沒有使用者可自行維修的零件。

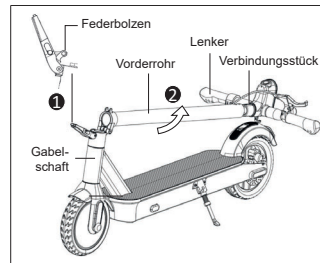
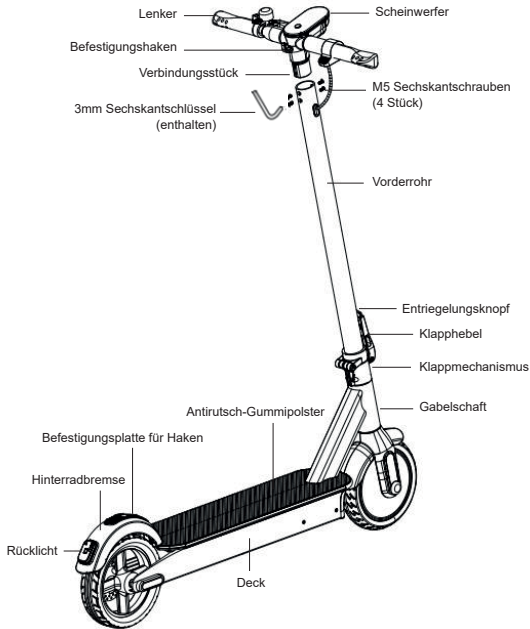
I. Lieferumfang

Roller *1	
3 mm Sechskantschlüssel *1	
Benutzerhandbuch *1	
Akkuladegerät *1	
M5*14L Senkkopfschraube *4 STK	

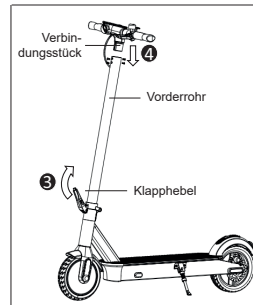
II. Teile



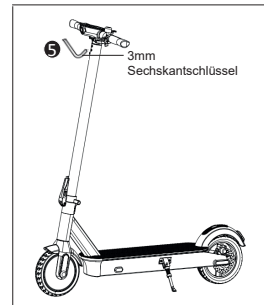
III. Montage



- 1 Öffnen Sie den Klapphebel vollständig, um den Federbolzen freizulegen.
- 2 Heben Sie das Vorderrohr zusammen mit dem Verbindungsstück und dem Lenker in Höhe des Gabelschafts an.



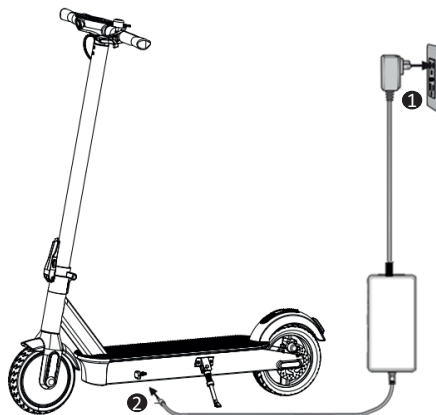
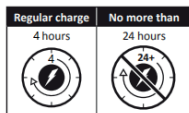
- 3 Verriegeln Sie den Klapphebel.
- 4 Stecken Sie das Verbindungsstück in das Vorderrohr.



- 5 Ziehen Sie alle 4 Sechskantschrauben am Vorderrohr mit dem mitgelieferten 3mm Sechskantschlüssel fest.

IV. Akku aufladen

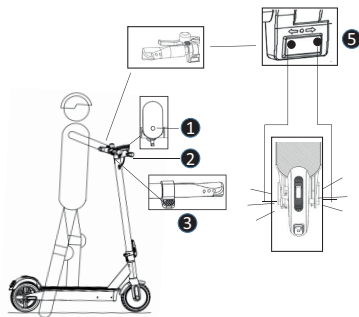
Hinweis: Die Ladeanzeige leuchtet während des Ladevorgangs **rot** und wird **grün**, wenn der Ladevorgang abgeschlossen ist.



V. NUTZUNG

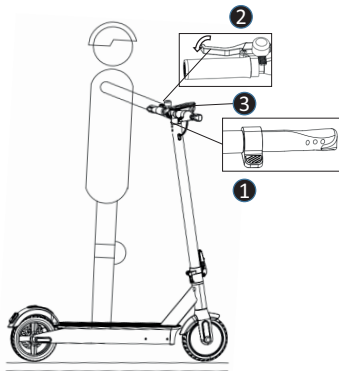
Den Roller starten

1. Halten Sie die Ein/Aus-Taste 3 Sekunden lang gedrückt, um den Roller ein-/auszuschalten.
Drücken Sie die Ein/Aus-Taste einmal kurz, um das Licht ein-/auszuschalten.
Drücken Sie die Ein/Aus-Taste zweimal kontinuierlich, um die Geschwindigkeitsregelung umzuschalten.
Drücken Sie die Ein/Aus-Taste 3 Mal lang, um zwischen km/h und mp/h zu wechseln.
2. Greifen Sie den Lenker fest mit beiden Händen.
3. Treten Sie mit einem Fuß auf das Trittbrett, stoßen Sie sich mit dem anderen Fuß vom Boden ab, um die Geschwindigkeit zu erhöhen, und drücken Sie leicht auf den Beschleunigungshebel.
4. Stehen Sie nach dem Anfahren mit beiden Füßen auf dem Trittbrett.
5. Blinker (optional).



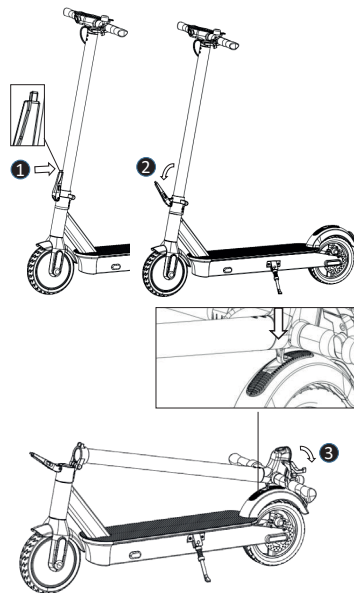
Den Roller stoppen

1. Lassen Sie den Beschleunigungshebel los.
2. Bremsen Sie, indem Sie den vorderen Handbremshebel nach unten drücken.
3. Schalten Sie den Roller über die Ein/Aus-Taste aus, wenn er nicht benutzt wird.



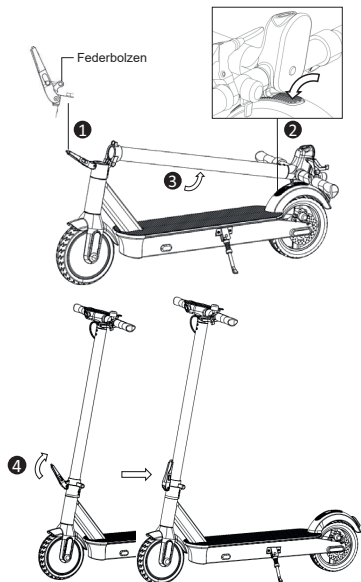
Den Roller zusammenfalten

1. Drücken Sie die Entriegelungstaste nach unten.
2. Entriegeln Sie den Klapphebel.
3. Klappen Sie das Vorderrohr zurück und befestigen Sie den Befestigungshaken an der Befestigungsplatte der Hinterradbremse.



Den Roller ausklappen

1. Öffnen Sie den Klapphebel vollständig, um den Federbolzen freizulegen.
2. Drücken Sie die Befestigungsplatte des Hakens nach unten, um den Befestigungshaken zu lösen.
3. Heben Sie das Vorderrohr an.
4. Verriegeln Sie den Klapphebel.



VI. Fehlersuchmethode

Beschreibung und Behebung der Fehlercodes

Fehlercode	Beschreibung	Behebung
0E	Akku fast leer	Laden Sie den Akku vollständig auf.
1E	Akku überladen	Entfernen Sie das Ladegerät. Wenden Sie sich an ein autorisiertes Servicezentrum, wenn der Fehlercode immer noch nicht behoben ist.
2E	Steuergerät Fehler	Bitte wenden Sie sich an ein autorisiertes Servicezentrum.
3E	Übertemperatur am Steuergerät, starten Sie das Schutzprogramm	Bitte benutzen Sie den Roller vorerst nicht. Warten Sie, bis die Temperatur gesunken ist, und versuchen Sie es erneut.
4E	Die Signalleitung ist möglicherweise lose oder abgefallen.	Bitte wenden Sie sich an ein autorisiertes Servicezentrum.
5E	Lose Verbindung zwischen Motor und Steuergerät	Bitte wenden Sie sich an ein autorisiertes Servicezentrum.
6E	Ausfall des Beschleunigers	Bitte wenden Sie sich an ein autorisiertes Servicezentrum.
7E	Ausfall des Bremssystems	Bitte wenden Sie sich an ein autorisiertes Servicezentrum.

Beschreibung und Behebung der Fehlercodes		
8E	Überstrom, starten Sie das Schutzprogramm	Halten Sie den Roller an und starten Sie ihn später erneut. Wenden Sie sich an ein autorisiertes Servicezentrum, wenn der Fehlercode immer noch nicht behoben ist.
9E	Motor blockiert Rotor	Halten Sie den Roller an und starten Sie ihn später erneut. Wenden Sie sich an ein autorisiertes Servicezentrum, wenn der Fehlercode immer noch nicht behoben ist.

Der Akku wird nicht geladen

Behebungsmethode:

1. Der Stecker ist nicht richtig eingesteckt.
2. Das Ladegerät ist beschädigt, verwenden Sie ein neues Ladegerät.
3. Der Akkuverkabelung ist lose, schließen Sie die Pole wieder an.

Unzureichende Kilometerleistung nach dem Laden

Behebungsmethode:

1. Unzureichende Ladung, laden Sie den Akku vollständig auf.
2. Steigungen und starker Gegenwind, schwere Last, schlechter Straßenbelag und niedrige Temperatur.
3. Die Klemmen zwischen Akku und Ladeanschluss sind lose, schließen Sie die Pole wieder an.

Geschwindigkeit ist zu niedrig

Behebungsmethode:

1. Die Akkuspannung ist zu niedrig, laden Sie den Akku vollständig auf.

Die Bremse funktioniert nicht

Behebungsmethode:

1. Das Bremsseil ist zu lang. Ziehen Sie das Bremsseil nach.
2. Wenn der Bremsbelag beschädigt ist, ersetzen Sie den Originalbelag.

Hinweis: Wenn eine Fehlfunktion festgestellt wird, wenden Sie sich bitte an ein autorisiertes Servicezentrum. Reparieren oder modifizieren Sie den Roller nicht selbst, dies kann zu Garantieeinschränkungen und Verletzungen führen.

VII. FAHRT UND SICHERHEIT

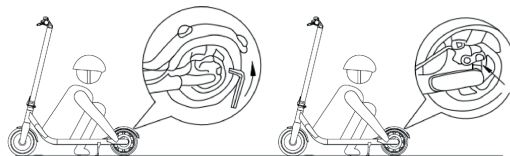
Für die Nutzung dieses Gerätes ist ein Lernprozess notwendig. Eine Nutzung ohne einen korrekten Lernprozess kann zu Verletzungen führen. Verwenden Sie Schutzvorrichtungen, um Schäden zu vermeiden. Wenn Sie diese Schritte abgeschlossen haben, können Sie den Elektroroller einschalten:



EINSTELLUNG DER BREMSEN

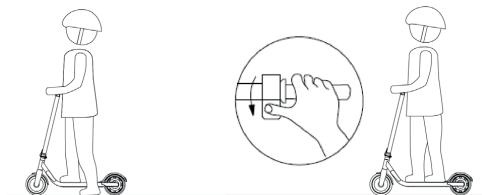
Überprüfen Sie vor jeder Fahrt die Bremsen. Wenn Sie das Gefühl haben, dass die Bremse zu fest angezogen ist, lösen Sie mit dem Sechskantschlüssel gegen den Uhrzeigersinn die Schrauben an der Druckplatte auf dem Sitz der Scheibenbremse, lassen Sie den Bremszug los, um die freiliegende Länge etwas zu verkürzen und ziehen Sie die Schrauben der Druckplatte wieder an. Wenn Sie das Gefühl haben, dass die Bremse zu locker sitzt, lösen Sie die Schrauben an der Druckplatte, ziehen Sie das Bremsseil, um es etwas zu verlängern, und ziehen Sie dann die Schrauben an der Druckplatte fest.

WARNUNG! Bei Vollbremsungen riskieren Sie schwere Verletzungen durch Verlust der Bodenhaftung und Stürze. Halten Sie eine moderate Geschwindigkeit ein und achten Sie auf mögliche Gefahren.



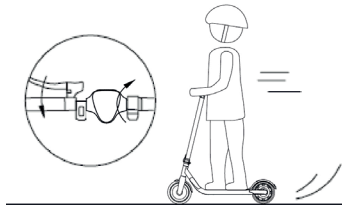
NUTZUNG

Halten Sie einen Fuß auf dem Trittbrett und einen Fuß auf dem Boden. Stellen Sie sich mit dem Fuß auf den Boden und beginnen Sie bei einer Geschwindigkeit von 3 km/h zu beschleunigen. Halten Sie einen weiteren Fuß auf dem Trittbrett und beschleunigen Sie entsprechend oder halten Sie eine bestimmte Geschwindigkeit. Diese Aktion ist für Ihre Sicherheit notwendig, um die Fahrt zu beginnen.

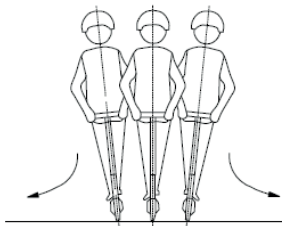


KONSTANTE GESCHWINDIGKEIT

Wenn Sie das Beschleunigungspedal gedrückt halten, wird die Geschwindigkeit konstant gehalten, um den Fahrkomfort zu erhöhen. Betätigen Sie die Bremse, um diese Funktion aufzuheben.

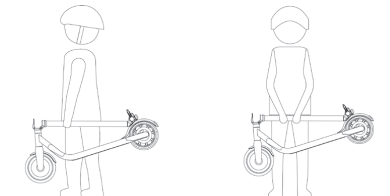


Achten Sie auf die Beibehaltung des Gleichgewichts, um konstant zu fahren:



ZUSAMMENKLAPPEN UND TRANSPORT

Halten Sie den Elektroroller nach dem Zusammenklappen wie in der Abbildung gezeigt an der Stange, um ihn zu transportieren:



! **Warnungen:** Die Nichtbeachtung dieser Anweisungen kann zu schweren Verletzungen führen.

- Fahren Sie den Elektroroller NICHT im Regen.
- Werden Sie NICHT nass.
Achten Sie auf Ihren Kopf, wenn Sie durch Tore fahren. Halten Sie Ihre Geschwindigkeit zwischen 5-10 km/h (3,1-6,2 mph), wenn Sie über Bodenschwellen, Aufzugstürschwellen, holprige Straßen oder andere unebene Oberflächen fahren. Beugen Sie Ihre Knie leicht, um die genannten Oberflächen besser auszugleichen.
- Stellen Sie Ihre Füße NICHT auf das hintere Schutzblech.
- Drücken Sie NICHT den Beschleunigungshebel, wenn Sie mit dem Elektroroller laufen.
Vermeiden Sie es, Hindernisse mit dem Reifen/Rad zu berühren.
- Tragen Sie KEINE schweren Gegenstände auf dem Lenker.
- Fahren Sie den Elektroroller NICHT mit nur einem Fuß.
- Fahren Sie NICHT auf öffentlichen Straßen, Autobahnen oder Landstraßen.
- Drehen Sie den Griff NICHT heftig, während Sie mit hoher Geschwindigkeit fahren.

- Fahren Sie NICHT Treppen hinauf und hinunter und springen Sie nicht über Hindernisse.
- Nehmen Sie während des Fahrens NICHT die Hände vom Lenker. Fahren Sie nicht mit nur einer Hand.
- Fahren Sie NICHT durch Pfützen oder andere (Wasser-)Hindernisse. Verringern Sie in einem solchen Fall bitte Ihre Geschwindigkeit und umfahren Sie das Hindernis.
- Nehmen Sie KEINE Passagiere mit. Der Elektroroller ist nur für einen Fahrer bestimmt.
- Nehmen Sie kein Kind mit.
- Fahren Sie nicht, wenn Sie schwanger sind.
- Benutzen Sie KEIN Mobiltelefon und tragen Sie keine Kopfhörer, wenn Sie den Elektroroller fahren.
- Berühren Sie NICHT den Nabenmotor nach der Fahrt, da er heiß werden kann.
- Halten Sie immer beide Hände am Lenker, sonst riskieren Sie schwere Verletzungen durch Gleichgewichtsverlust und Stürze.
- Nur für die Nutzung bei trockenem Wetter.
- Die Nutzung auf öffentlichen Straßen wird nicht empfohlen.
- Wenden Sie bei schneller Fahrt niemals heftig.
- Starten oder stoppen Sie nicht plötzlich.
- Stellen Sie sicher, dass die Geschwindigkeit des Elektrorollers für Sie und andere sicher ist und seien Sie bereit, jederzeit zu stoppen, während er fährt.
- Wenn Sie den Elektroroller fahren, halten Sie bitte Abstand zu anderen, um Zusammenstöße zu vermeiden.
- Wenn Sie sich drehen, müssen Sie den Schwerpunkt Ihres Körpers benutzen; eine heftige Änderung des Schwerpunktes könnte Schäden verursachen.
- Kontrollieren Sie die Lager regelmäßig auf Feuchtigkeit und Schmutz. Trocknen und reinigen Sie die Lager. Fetten Sie die Lager nach der Reinigung gegebenenfalls ein. Verwenden Sie dazu nur geeignete Schmiermittel. Überprüfen Sie auch die Lenkung, um die Sicherheit dieses Produkts zu gewährleisten.
- Es dürfen keine Änderungen vorgenommen werden, die nicht den Anweisungen des Herstellers entsprechen.
- Wenn selbst sichernde Muttern und andere selbst sichernde Befestigungen ihre Wirkung verlieren können.
- Vermeiden Sie Fahrten an steilen Hängen.

VIII. REINIGUNG UND WARTUNG

Dieser Elektroroller kann als Transportmittel verwendet werden und erfordert als solches die Wartung aller Komponenten, die durch die Verwendung abgenutzt werden und nicht durch die Garantie abgedeckt sind.

REINIGUNG

Stellen Sie sicher, dass der Elektroroller ausgeschaltet ist, das Ladekabel nicht eingesteckt ist und die Gummikappe auf dem Ladeanschluss fest verschlossen ist, bevor Sie ihn reinigen; andernfalls könnten Sie die elektronischen Komponenten beschädigen. Trennen Sie das Gerät immer zuerst vom Ladegerät, decken Sie den wasserdichten Ladestecker ab, schalten Sie das Gerät aus und vermeiden Sie während der Reinigung den Kontakt von Flüssigkeiten mit dem Akku, dem Motor und anderen elektronischen Teilen, um unvorhergesehene Gefahren zu vermeiden. Reinigen Sie das Produkt nicht mit einem Hochdruckwasserstrahl und tauchen Sie es nicht in Wasser ein.

Verwenden Sie zur Reinigung des Elektrorollers ein feuchtes Tuch. Wenn Sie Schmutz abkratzen müssen, verwenden Sie eine weiche Bürste und dann ein feuchtes Tuch.

Achten Sie darauf, den Ladeanschluss abzudecken, um Probleme mit den elektronischen Komponenten zu vermeiden.

Verwenden Sie keinen Alkohol, Benzin, Kerosin oder andere flüchtige oder ätzende chemische Komponenten. Dies kann sowohl das Aussehen als auch die innere Struktur des Elektrorollers beschädigen. Verwenden Sie auch keine Druckwasserpistole oder fließendes Wasser.

AUFBEWAHRUNG

Bewahren Sie den Elektroroller an einem kühlen, trockenen Ort auf, wenn er nicht benutzt wird. Vermeiden Sie es, ihn draußen stehen zu lassen, da er nicht für den Gebrauch in feuchten Räumen oder in der Nähe von korrosiven Substanzen wie Meerwasser, Häfen usw. hergestellt wurde. Es wird auch nicht empfohlen, ihn über einen längeren Zeitraum hohen Temperaturen durch direkte Sonneneinstrahlung auszusetzen.

IX. HANDHABUNG VON AKKUS UND VERBOTENE HANDLUNGEN

Verwenden Sie keine Akkus anderer Modelle oder Marken, sondern nur den Originalakku.

Setzen Sie den Akku nicht in einer Umgebung mit hohen Temperaturen über 50°C oder unter -20°C ein (z.B. legen Sie den Elektroroller im Sommer nicht in den Kofferraum eines Autos), und setzen Sie den Akku nicht in der Nähe von Feuer ein. Andernfalls kann es zu einem Versagen des Akkus, zu Überhitzung und sogar zu Bränden kommen.

Vermeiden Sie es, die Akkus vollständig zu entladen. Es ist besser, sie aufzuladen, solange noch Energie in ihnen vorhanden ist. Dadurch wird die Lebensdauer des Akkus verlängert. Wenn Sie den Elektroroller in sehr kalten oder warmen Gegenden fahren, kann sich auch die Nutzungsdauer der Akkus verringern. Das ist kein Versagen der Akkus, sondern ihr normales Verhalten.

Wenn Sie den Elektroroller länger als 30 Tage nicht benutzen, laden Sie ihn vollständig auf und lagern Sie ihn an einem kühlen, trockenen Ort und laden Sie den Akku alle 60 Tage vollständig auf. Die Nichtbeachtung dieser Schritte kann zu Schäden am Akku führen, die nicht von der Garantie gedeckt sind.

Es ist verboten, das Akkufach zu demontieren. Eine Manipulation ist nur in den offiziellen technischen Diensten oder den angeschlossenen Werkstätten erlaubt.

Verwenden Sie zum Aufladen nur das Original-Ladegerät, andernfalls besteht die Gefahr einer Beschädigung oder eines Brandes.

Eine unsachgemäße Entsorgung von verbrauchten Akkus kann zu einer ernsthaften Verschmutzung der Umwelt führen. Beachten Sie die geltenden Vorschriften, wenn Sie diesen Akku entsorgen.

Laden Sie den Akku nach jedem Gebrauch auf, um die Lebensdauer des Akkus zu verlängern.



GEFAHR!

Die Akkuzelle enthält entflammbare und gefährliche Substanzen. Unsachgemäße Handhabung kann zu Feuer, Rauch, Explosion und schweren Personen- oder Sachschäden führen. Lesen und beachten Sie immer die folgenden Verbote und legen Sie eine geeignete Schutzausrüstung an, bevor Sie mit dem Akku arbeiten.

Halten Sie den Akku von Kleinkindern und Kindern fern, um Unfälle zu vermeiden. Wenn jüngere Kinder den Akku benutzen, sollten deren Erziehungsberechtigte die richtige Handhabung und Vorsichtsmaßnahmen erklären, bevor sie den Akku benutzen, und immer die Unversehrtheit des Akkus sicherstellen.

Verwenden Sie nur ein spezielles Ladegerät und laden Sie den Akku nur auf diese Weise auf. Laden Sie den Akku nicht direkt über eine Steckdose oder ein Zigarettenanzünder-Ladegerät auf. Laden Sie den Akku nicht unbeaufsichtigt auf.

- Laden Sie den Akku nicht in umgekehrter Richtung auf.
- Lassen Sie den Akku nicht in der Nähe eines Feuers oder einer Wärmequelle liegen und werfen Sie den Akku nicht ins Feuer.
- Laden oder verwenden Sie den Akku nicht in einem Auto oder an einem ähnlichen Ort, an dem die Innentemperatur über 50°C liegen kann.
- Tauchen Sie den Akku nicht in Wasser/Seewasser usw. ein, werfen Sie ihn nicht hinein und machen Sie ihn nicht nass.
- Schließen Sie den Pluspol (+) und den Minuspol (-) nicht kurz und verbinden Sie sie nicht mit metallischen Gegenständen. Bewahren Sie den Akku nicht zusammen mit metallischen Gegenständen wie Schlüsseln, Halsketten, Haarnadeln, Münzen oder Schrauben in einer Tasche auf.
- Stechen Sie nicht mit einem scharfen Gegenstand wie einer Nadel oder einem Schraubenzieher in den Akku.
- Erhitzen Sie keinen Teilbereich des Akkus mit heißen Gegenständen wie einem Lötkolben.

- Schlagen Sie nicht mit schweren Gegenständen wie z.B. einem Hammer oder einem Gewicht auf den Akku. Treten Sie nicht auf den Akku und lassen Sie ihn nicht fallen, um mechanische Stöße zu vermeiden. Verwenden Sie keinen stark deformierten Akku.
- Zerlegen Sie den Akku nicht und verändern Sie nicht das Design des Akkus einschließlich der elektrischen Schaltung.
- Löten Sie nicht direkt am Akku und verwenden Sie keine alten und neuen Akkus zusammen.
- Legen Sie den Akku nicht in einen Mikrowellenherd, einen Trockner oder einen Hochdruckbehälter.
- Verwenden Sie den Akku nicht zusammen mit Akkus anderer Hersteller, anderen Akkutypen und/oder Modellen, wie Trockenakkus, Nickel-Metallhydrid-Akkus oder Nickel-Cadmium-Akkus, und bauen Sie sie nicht zusammen.

Halten Sie sich sofort von Feuer fern, wenn Sie ein Auslaufen oder einen üblen Geruch feststellen. Falls Flüssigkeit auf Ihre Haut oder Kleidung gelangt, waschen Sie sie sofort mit frischem Wasser aus. Wenn Flüssigkeit aus dem Akku in Ihre Augen gelangt, reiben Sie sich nicht die Augen, sondern waschen Sie sie mit klarem Wasser aus und suchen Sie sofort einen Arzt auf. Wenn die Pole des Akkus schmutzig werden, wischen Sie sie mit einem trockenen Tuch ab, bevor Sie den Akku verwenden.

Decken Sie die Pole vor der Entsorgung mit einem geeigneten Isolierband ab. Lesen Sie vor der Verwendung/Einbau/Entnahme des Akkus oder der Verwendung des Ladegeräts immer die Bedienungsanleitung und beachten Sie die Vorsichtsmaßnahmen bei der Handhabung.

Tauschen Sie den Akku aus, wenn die Nutzungsdauer des Akkus kürzer als gewöhnlich ist.

Wenn der Akku über einen längeren Zeitraum gelagert werden muss, sollte er aus der Anwendung entfernt und an einem Ort mit niedriger Luftfeuchtigkeit und Temperatur gelagert werden.

Halten den Akku von Gegenständen mit statischer Elektrizität fern, während er geladen, verwendet und gelagert wird.

Nicht wiederaufladbare Batterien dürfen nicht als Ersatz verwendet werden. Der Akku muss aus dem Gerät entfernt werden, bevor er verschrottet wird.

Beim Herausnehmen des Akkus muss das Gerät vom Stromnetz getrennt werden.

Der Akku muss sicher entsorgt werden.

Verwenden Sie den Akku nicht, wenn statische Elektrizität (mehr als 100 V) auftritt, da sonst die Schutzschaltung des Akkus beschädigt wird.

Nehmen Sie den Akku nicht heraus. Das Entfernen des Akkus ist kompliziert und kann den Betrieb des Geräts beeinträchtigen. Wenden Sie sich zum Auswechseln des Akkus ausschließlich an ein autorisiertes Servicezentrum.

Lagern oder laden Sie den Akku nicht bei Temperaturen außerhalb der angegebenen Grenzwerte (siehe in diesem Handbuch). Der Akku darf nicht durchstochen werden. Beachten Sie die in Ihrem Land geltenden Gesetze und Vorschriften für das Recycling und/oder die Entsorgung von Akkus.

Ein gut gewarteter Akku kann auch nach vielen Kilometern Fahrt noch gut funktionieren. Laden Sie den Akku nach jeder Fahrt auf und vermeiden Sie eine vollständige Entleerung des Akkus.



WARNUNG!

Halten Sie sich sofort von Feuer fern, wenn Sie ein Auslaufen oder einen üblen Geruch feststellen. Falls Flüssigkeit auf Ihre Haut oder Kleidung gelangt, waschen Sie sie sofort mit frischem Wasser aus. Wenn Flüssigkeit aus dem Akku in Ihre Augen gelangt, reiben Sie sich nicht die Augen, sondern waschen Sie sie mit klarem Wasser aus und suchen Sie sofort einen Arzt auf. Wenn die Pole des Akkus schmutzig werden, wischen Sie sie mit einem trockenen Tuch ab, bevor Sie den Akku verwenden.

Decken Sie die Pole vor der Entsorgung mit einem geeigneten Isolierband ab.

Lesen Sie vor der Verwendung/Einbau/Entnahme des Akkus oder der Verwendung des Ladegeräts immer die Bedienungsanleitung und beachten Sie die Vorsichtsmaßnahmen bei der Handhabung.

Tauschen Sie den Akku aus, wenn die Nutzungsdauer des Akkus kürzer als gewöhnlich ist.

Wenn der Akku über einen längeren Zeitraum gelagert werden muss, sollte er aus der Anwendung entfernt und an einem Ort mit niedriger Luftfeuchtigkeit und Temperatur gelagert werden.

Halten den Akku von Gegenständen mit statischer Elektrizität fern, während er geladen, verwendet und gelagert wird.

Nicht wiederaufladbare Batterien dürfen nicht als Ersatz verwendet werden.

Der Akku muss aus dem Gerät entfernt werden, bevor er verschrottet wird.

Beim Herausnehmen des Akkus muss das Gerät vom Stromnetz getrennt werden.

Der Akku muss sicher entsorgt werden.

Versuchen Sie nicht, den Akku zu zerlegen. Berühren Sie nicht die Kontakte des Akkus. Zerlegen Sie das Gehäuse nicht und durchstechen Sie es nicht.

Halten Sie die Kontakte des Akkus von Metallgegenständen fern, um einen Kurzschluss zu vermeiden. Es besteht Brand- und Stromschlaggefahr. Laden Sie den Akku nicht auf und verwenden Sie ihn nicht, wenn er beschädigt ist oder Spuren von Wasser aufweist.

Im Falle eines Unfalls oder einer Panne: Wenden Sie sich bitte an eine autorisierte Reparaturwerkstatt in Ihrem Land.

Der Benutzer muss sich an einen autorisierten oder spezialisierten Kundendienst wenden.

X. Aufladen/Entladen und Lagern des Akkus

Warnung: Beachten Sie immer die folgenden Hinweise.

Verwenden Sie nur Original-Ladegeräte, unsachgemäße Verwendung kann zu Personenschäden und Sachschäden führen. Es besteht kein Anspruch auf Garantie, wenn ein nicht originales Ladegerät verwendet wird.

Laden Sie das Gerät nicht in der Nähe von Flüssigkeiten oder Feuerquellen auf, vermeiden Sie brennbare Substanzen. Lassen Sie das Gerät während des Ladevorgangs nicht unbeaufsichtigt.

Laden Sie nicht, wenn der Ladeanschluss oder das Ladekabel nass ist.

Laden Sie den Akku nicht auf und verwenden Sie ihn nicht, wenn er beschädigt ist oder Spuren von Wasser aufweist.

Die Ladeschnittstelle ist mit einem speziellen Schlitz versehen. Stecken Sie den Stecker nicht mit Gewalt ein, da dies zu Schäden am Gerät führen kann.

Die Ladeanzeige leuchtet rot, wenn der Akku geladen wird. Die Anzeige leuchtet grün, wenn der Ladevorgang abgeschlossen ist.

Entfernen Sie das Ladegerät, wenn die Ladeanzeige grün leuchtet. Eine Überladung oder Überentladung führt zu irreversiblen Schäden am Akku oder zum Verlust von Eigentum. Wenn die Anzeige des Ladegeräts während des Ladevorgangs nach der Fahrt sofort grün wird, trennen Sie bitte das Ladegerät und lassen Sie den Akku abkühlen, bevor Sie ihn wieder aufladen. Dies ist das normale Phänomen des intelligenten Schutzes aufgrund der hohen Innentemperatur des Akkus. Der Ladevorgang kann beginnen, wenn der Akku abgekühlt ist.

Beenden Sie den Ladevorgang und trennen Sie das Ladegerät, wenn der Akku nach der folgenden empfohlenen Zeitspanne nicht vollständig geladen ist. Wenden Sie sich für weitere Informationen an den Kundendienst.

Der Ladeanschluss muss nach jedem Ladevorgang mit der angebrachten Gummikappe abgedeckt werden.

Seien Sie beim Umgang mit dem Akku immer besonders vorsichtig.

Verwenden Sie den Akku nicht mehr, wenn er ungewöhnlich heiß wird oder während des Gebrauchs, des Ladens oder der Lagerung einen Geruch, eine Verfärbung, eine Verformung oder einen anderen fehlerhaften Zustand aufweist.

Der Akku kann innerhalb der folgenden Temperaturbereiche verwendet werden. Überschreiten Sie diese Bereiche nicht.

Betriebstemperatur: -10-60°C (Die Leistung des Akkus variiert je nach Temperatur)

Ladetemperatur: 10-45°C

Temperatur bei Lagerung und Transport: -10-45°C

Luftfeuchtigkeit bei Lagerung: 10-80%

XI. Informationen zur Verwendung

Produktname	Acer Electric Scooter ES Serie 5
Modell	AES015
Abmessungen, aufgeklappt	118L x 49B x 125H (cm)
Abmessungen, eingeklappt	118L x 49B x 55H (cm)
Gewicht inkl. Akku	18,5Kg
Motor	350W
Akku	15Ah
Akkutyp	Lithium-Ion
Hersteller des Akkus	TIANHONG
Aufladung	42V/2,0A
Adapter Hersteller: FUYUANDIAN, Modellnr.: FY-4202000	
Gesamtladezeit	4 Stunden
Maximale Geschwindigkeit	20 km/h oder 25 km/h (abhängig von der jeweiligen Landesregelung)
Maximale Distanz ohne Aufladung	60Km
Geschwindigkeitsregelung	ja
Geschwindigkeitsmodi	3
Stufen der Geschwindigkeitsmodi	0-6 km/h; 0-10 km/h; 0-20 oder 25 km/h (abhängig von der jeweiligen Landesregelung)
Klappmechanismus	Ja
Hauptmaterial	Trittbrett aus Aluminiumlegierung, Vorderrohr aus Stahl
Maximale Belastung	bis zu 100 kg
Bodenfreiheit	11 cm
Höhenverstellbarer Lenker	nein

Bremsen	elektronische Bremse vorne und Scheibenbremse hinten
Anzeigen	LED Anzeige
Radabsorber	Ja
Räder	Vollgummireifen
Reifenmaterial	Gummi
Antriebseinheit	Vorderradantrieb
Raddurchmesser	10"
Wasserdicht	IPX4
Reflektoren	ja
Scheinwerfer	ja
Anwendung	nein
Tonsignal	ja
Hintergrundbeleuchtung	ja
Bluetooth	ja
Steigfähigkeit	10°

XII. Sonstiges

1. Das Herstellungsdatum ist auf dem Produktetikett angegeben.

⚠ Lagerung

Lagern Sie dieses Produkt an einem trockenen, kühlen und sicheren Ort, vermeiden Sie Feuchtigkeit und hohe Temperaturen. Feuchtigkeit kann zur Beschädigung der elektrischen Komponenten führen. Wenn der Lithium-Akku defekt ist, wenden Sie sich bitte an Ihre örtliche Recyclingstelle und entsorgen Sie den Lithium-Akku gemäß den nationalen oder örtlichen Gesetzen und Vorschriften.

- Betriebstemperatur: -10-60°C
- Ladetemperatur: 10-45°C
- Temperatur bei Lagerung und Transport: -10-45°C
- Luftfeuchtigkeit bei Lagerung: 10-80%

3. Dieses Produkt darf nicht über den Hausmüll entsorgt werden. Bitte recyceln Sie es, um die Umweltverschmutzung gemäß den örtlichen Vorschriften zu minimieren, oder wenden Sie sich an die örtliche Stadtverwaltung oder den Hausmüllentsorgungsdienst.

4. 1) Die Geräte sind nicht für die Verwendung in Höhenlagen über 2000 m über dem Meeresspiegel vorgesehen.

2) Längerer Kontakt mit UV-Strahlen, Regen und anderen Witterungseinflüssen kann das Gehäusematerial beschädigen; lagern Sie das Gerät bei Nichtgebrauch in Innenräumen.

3) WARNUNG - Brandgefahr - Keine vom Benutzer zu wartenden Teile.

EU-Konformitätserklärung

Wir,

Acer Incorporated

8F, 88, Sec. 1, Xintai 5th Rd., Xizhi, New Taipei City 221, Taiwan

und,

Acer Italy s.r.l.

Viale delle Industrie 1/A, 20044 Arese (MI), Italien

Tel.: +39-02-939-921, Fax: +39-02 9399-2913

www.acer.it

Produkt: Acer Electric Scooter ES Serie 5

Handelsname: Acer

Modellnummer: AES015

SKU-Nummer: AES015 *****

(****)=0-9, a-z, A-Z, oder Leerzeichen)

Hiermit erklären wir, Acer Incorporated, in alleiniger Verantwortung, dass das obige Produkt mit den geltenden EU-Harmonisierungsvorschriften: Maschinenrichtlinie 2006/42/EG und RoHS-Richtlinie 2011/65/EU. Die folgenden harmonisierten Normen und/oder andere geltende Normen wurden eingehalten:

EN 17128:2020

EN 300 328 V2.2.2

EN 301 489-1 V2.2.3

EN 301 489-17 V3.2.4

EN 62479:2010

EN IEC 63000:2018

Jahr, in dem mit Anfügen von CE-Marke begonnen wurde: 2022.

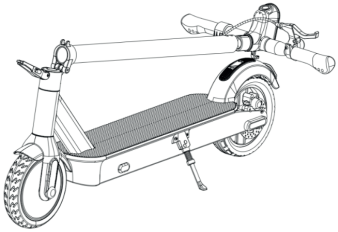


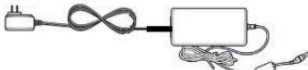

RU Jan / Sr. Manager

Acer Incorporated (Taipei, Taiwan)

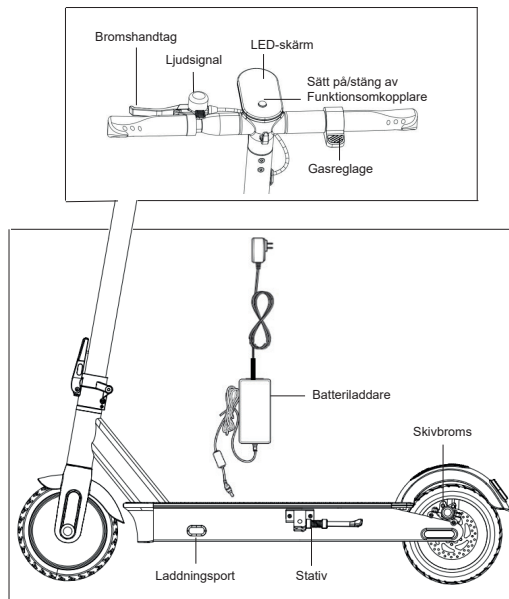
16.05.2022

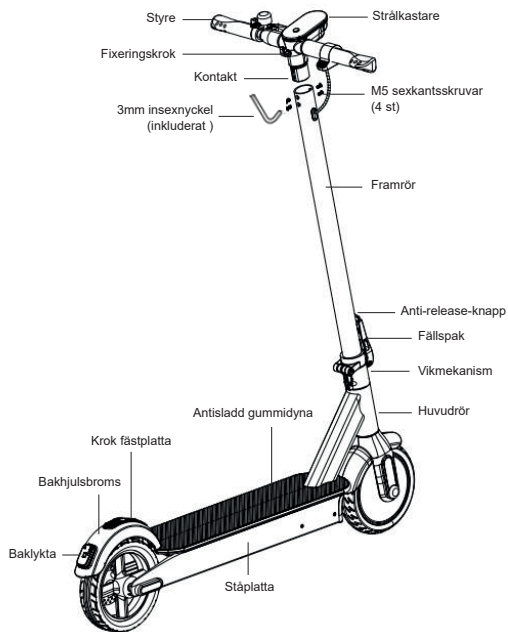
Datum

I. Inkorgsinnehåll

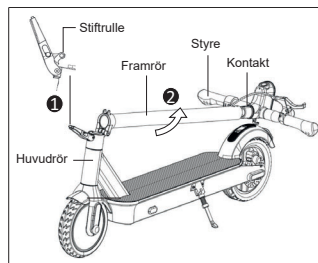
Skoter *1	
3 mm insexnyckel *1	
Bruksanvisning *1	
Batteriladdare *1	
M5*14L försänkt skruv *4 ST	

II. Delar

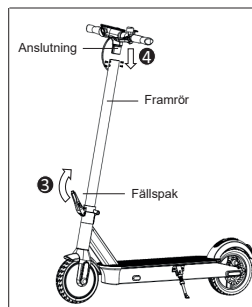




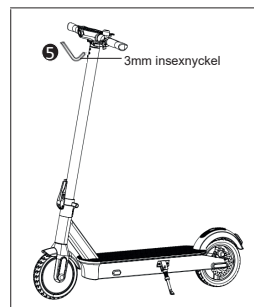
III. Monterar



- 1 Öppna fällspaken helt för att exponera stiftrullen.
- 2 Lyft upp det främre röret tillsammans med kopplingen och styret, i nivå med huvudröret.



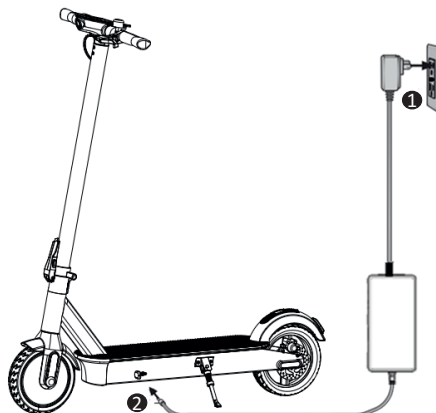
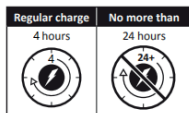
- 3 Lås fällspaken.
- 4 Sätt i kontakten till det främre röret.



- 5 Dra åt alla de 4 sexkantsskruvarna på det främre röret med den medföljande 3 mm insexnyckeln.

IV. Ladda batteriet

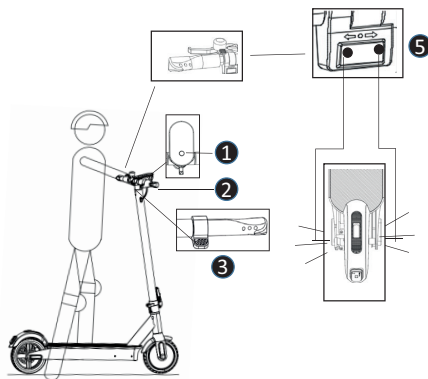
Observera: Laddningslampan är **röd** när den laddar och växlar till **grönt** när laddningen är klar.



V. ANVÄNDNING

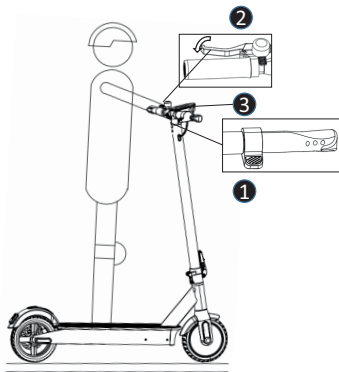
Starta skotern

1. Tryck och håll in strömbrytaren i 3 sekunder för att starta skotern.
Tryck kort på strömbrytaren en gång för att tända/släcka lampan.
Tryck kontinuerligt på strömbrytaren två gånger för att byta hastighetsregler.
Tryck på strömbrytaren kontinuerligt 3 gånger för att växla mellan km/h och mp/h.
2. Fatta styret ordentligt med båda händerna.
3. Stig upp på ståplattan med ena foten, sparka mot marken med den andra foten för att öka hastigheten och tryck försiktigt på gasreglaget.
4. Ställ båda fötterna på ståplattan efter start.
5. Blinkers (valfritt).



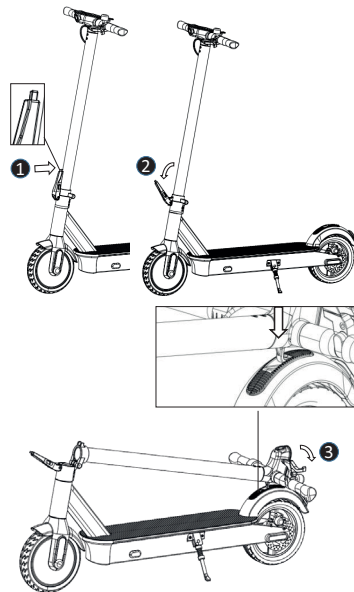
Stoppa skotern

1. Släpp gasreglaget.
2. Bromsa genom att trycka ned den främre handbromsspaken.
3. Tryck på strömbrytaren när den inte används.



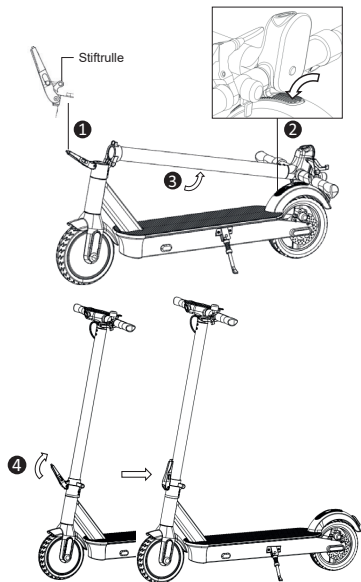
Fälla ihop skotern

1. Tryck ner anti-release-knappen.
2. Lås upp fällspaken.
3. Vik tillbaka det främre röret och lås fästkroken till fästplattan på bakhjulsbromsen.



Veckla upp skotern

1. Öppna fällspaken helt för att exponera stiftrullen.
2. Tryck ner krokens fästplatta för att få fästkroken fri.
3. Lyft upp det främre röret.
4. Lås fällspaken.



VI. Felsökningsmetod

Introduktion och arrangemang av felkod

Felkod	Inledning	Arrangemang
0E	Svagt batteri	Ladda batteriet helt
1E	Överladda batteriet	Ta bort laddaren. Kontakta ett auktoriserat servicecenter om felkoden fortfarande inte är eliminerad.
2E	Controllerfel	Kontakta ett auktoriserat servicecenter.
3E	Övertemperatur på styrenheten, starta skyddsprogrammet	Använd inte skotern för tillfället. Vänta tills temperaturen sjunker och försök igen.
4E	Signalledningen kan lossna eller tappas	Kontakta ett auktoriserat servicecenter.
5E	Lös koppling mellan motor och styrenhet	Kontakta ett auktoriserat servicecenter.
6E	Acceleratorfel	Kontakta ett auktoriserat servicecenter.
7E	Fel på bromssystemet	Kontakta ett auktoriserat servicecenter.
8E	Överström, starta skyddsprogrammet	Stoppa skotern och starta om senare. Kontakta ett auktoriserat servicecenter om felkoden fortfarande inte är eliminerad.

Introduktion och arrangemang av felkod

9E	Motorlåst rotor	Stoppa skotern och starta om senare. Kontakta ett auktoriserat servicecenter om felkoden fortfarande inte är eliminerad.
----	-----------------	--------------------------------------------------------------------------------------------------------------------------

Batteriet laddar inte

Arrangemangsmetod:

1. Kontakten är inte korrekt isatt.
2. Laddaren är skadad, använd ny laddare.
3. Batterisladden är lös, anslut polerna igen.

Otillräcklig körsträcka efter laddning

Arrangemangsmetod:

1. Otillräcklig laddning, ladda batteriet helt.
2. Uppförsbacke och kraftig motvind, tung last, dålig vägbana och låg temperatur.
3. Terminalens anslutning mellan batteri och laddningsport har lossnat, återanslut terminalerna.

Hastigheten är för låg

Arrangemangsmetod:

1. Batterispänningen är för låg, ladda batteriet helt.

Bromsen fungerar inte

Arrangemangsmetod:

1. Bromsvajern är för lång, dra åt bromsvajern igen.
2. Om bromsklossen är skadad, ersätt den ursprungliga.

Observera: När fel upptäcks, kontakta ett auktoriserat servicecenter. Reparera eller modifiera inte skotern själv, detta kan orsaka garantibegränsningar och skador.

VII. ÅKNING OCH SÄKERHET

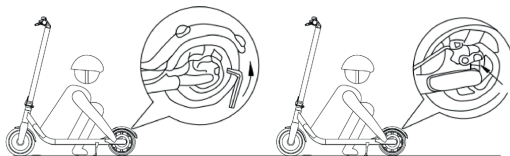
En inlärningsprocess är nödvändig för att använda denna enhet. Användning av den utan en korrekt inlärningsprocess kan orsaka skador. Använd skydd för att förhindra skador. När du har slutfört dessa steg kan du slå på elskotern:



BROMSJUSTERING

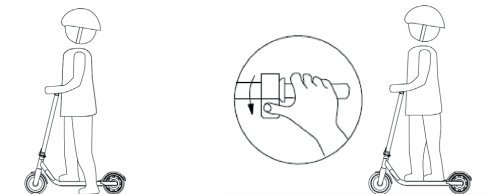
Kontrollera bromsarna före varje körning. Om du tycker att bromsen är för hård, använd insexnyckeln moturs för att lossa skruvarna på tryckplattan på skivbromssätet, släpp bromsledningen för att korta ner den exponerade längden något och dra åt skruvarna på tryckplattan. Om du känner att bromsen är för lös, lossa skruvarna på tryckplattan, dra bromsvajern för att förlänga längden något och lås sedan skruvarna på tryckplattan.

VARNING! Vid hård inbromsning riskerar du allvarliga skador på grund av förlust av grepp och fall. Håll en måttlig hastighet och var uppmärksam för potentiella faror.



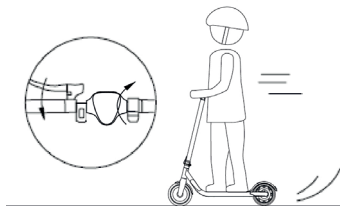
ANVÄNDNING

Ha en fot på brädan och en fot på marken. Se till att ha foten på marken när hastigheten när 3 km/h börjar accelerera. Ha den andra foten på brädan och accelerera på lämpligt sätt eller håll en viss hastighet. Denna åtgärd är nödvändig för att starta körningen, för din säkerhet.

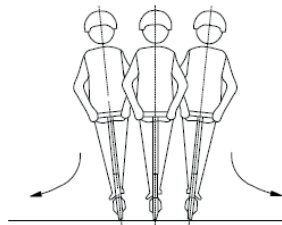


KONSTANT HASTIGHET

Om du håller gaspedalen intryckt kommer hastigheten att fixeras, för ökad körkomfort. Aktivera bromsen för att avbryta denna funktion.

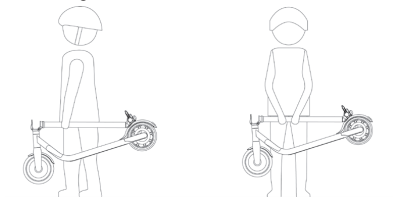


Leta efter en konstant jämviktsställning:



FÄLLA IHOP OCH TRANSPORT

När den är ihopfälld, håll den elektriska skotern i stängan för att transportera den enligt bilden:



Varningar: Underlåtenhet att följa dessa instruktioner kan leda till allvarliga skador.

- KÖR INTE elskotern i regn.
- BLI INTE blöt.
Se till att du inte slår i huvudet när du passerar genom dörröppningar. Håll din hastighet mellan 5–10 km/h när du åker genom farthinder, hissdörrar, gropiga vägar eller andra ojämna ytor. Böj knäna lätt för att bättre justera nämnda ytor.
- HA INTE fötterna på bakskärmen.
- TRYCK INTE på gasreglaget när du går med elskotern.
Undvik att komma i kontakt med hinder med däcket/hjulet.
- HÄNG INTE tunga föremål på styret.
- KÖR INTE på elskotern med bara en fot.
- ÅK INTE på allmänna vägar, huvudvägar eller motorvägar.
- VRID INTE handtaget våldsamt när du kör i hög hastighet.
- ÅK INTE upp och ner för trappor eller hoppa över hinder.
- TA INTE händerna från styret medan du kör. Kör inte med bara en hand.
- KÖR INTE genom vattenpölar eller andra (vatten)hinder. I så fall sänk hastigheten och kör förbi hindret.
- Transportera INTE några passagerare. Den elektriska skotern är endast för en person.
- Transportera inte ett barn.
- Kör inte när du är gravid.
- ANVÄND INTE mobiltelefon eller bär hörlurar när du kör elskotern.
- RÖR INTE navmotorn efter att ha kört eftersom den kan bli varm.
- Håll alltid båda händerna på styret annars riskerar du allvarliga skador på grund av förlust av balans och fall.
- Endast för användning i torrt väder.
- Vi rekommenderar inte användning på allmänna vägar.
- Sväng aldrig våldsamt när du kör fort.
- Starta eller stoppa inte plötsligt.
- Se till att hastigheten på elskotern är säker för dig och andra och var redo att stanna när som helst medan den är igång.
- När du kör elskotern, håll dig på avstånd från andra för att undvika kollisioner.
- När du vänder dig måste du använda din kropps tyngdpunkt; den våldsamma förändringen av tyngdpunkten kan orsaka skada.
- Kontrollera rutinmässigt kullagren för fukt och smuts. Torka och rengör kullagren. Vid behov smörj kullagren efter rengöring. Använd endast lämpliga smörjmedel för detta ändamål. Kontrollera även styrpositionen för att säkerställa att denna produkt är säker.
- Inga andra ändringar än i tillverkarens instruktioner får göras.
- När självlysande muttrar och andra självlysande fästen kan förlora sin effektivitet.
- Undvik att köra i branta sluttningar.

VIII. RENGÖRING OCH UNDERHÅLL

Denna elektriska skoter kan användas som ett transportmedel och kräver som sådan underhåll av alla dess komponenter, som utsätts för slitage på grund av användningen av densamma och täcks inte av garantin.

RENGÖRING

Se till att den elektriska skotern är avstängd, att laddningskabeln är urkopplad och att gummilocket på laddningsporten är tätt försluten innan rengöring; annars kan du skada de elektroniska komponenterna. Koppla alltid bort produkten från laddaren först, täck över den laddningsvattentäta kontakten, stäng av strömmen till produkten och undvik vätskekontakt med batteriet, motorn och andra elektroniska delar under rengöring för att undvika oförutsedda risker. Använd inte en högtrycksvattenstråle för att rengöra produkten eller sänka ner den i vatten.

Använd en fuktig trasa för att rengöra elskotern. Om du behöver skrapa smuts, använd en mjuk borste och sedan en fuktig trasa.

Se till att täcka laddningsporten för att undvika problem med de elektroniska komponenterna.

Använd inte alkohol, bensin, fotogen eller andra flyktiga eller frätande kemiska komponenter. Detta kan skada både utseendet och elskoterns inre struktur. Använd inte heller en tryckvattenpistol eller rinnande vatten.

BEVARANDE

Förvara elskotern i en sval, torr miljö när den inte används. Undvik att lämna den utomhus, eftersom den inte är tillverkad för användning i våta utrymmen, nära frätande ämnen som havsvatten, hamnar etc. Det rekommenderas inte heller att utsätta den för höga temperaturer orsakade av direkt solljus under lång tid.

IX. BATTERIHANTERING OCH FÖRBJUDNA ÅTGÄRDER

Använd inte andra modeller eller märken av batterier, använd endast originalbatteri.

Placera inte batteriet i en miljö med höga temperaturer högre än 50°C eller lägre än -20°C (placera till exempel inte elskotern i en bilbagage på sommaren), och placera inte batteriet på platser nära elden. Annars kan det orsaka batterifel, överhettning och till och med risk för brand.

Undvik att ladda ur batterierna helt, det är bättre att ladda dem medan det fortfarande finns ström i dem. Detta förlänger batteriets livslängd. Även om du kör elskotern i mycket kalla eller varma områden, kan du minska batteriernas användningstid. Det är inte ett fel på batterierna, men det är deras normala beteende.

När den inte används på mer än 30 dagar, ladda helt och förvara på en sval, torr plats och ladda batteriet helt var 60:e dag. Underlåtenhet att följa dessa steg kan skada batteriet, och denna skada täcks inte av garantin.

Det är förbjudet att ta isär batterifacket. Endast dess manipulation i officiella tekniska tjänster eller godkända verkstäder är tillåten.

Använd endast originalladdaren för att ladda, annars finns det risk för skador eller brand.

Otillräcklig kasserung av använda batterier kan orsaka allvarlig miljöförorening. Följ lokala föreskrifter när du kasserar detta batteripaket.

Ladda om batteriet efter varje användning, detta förlänger batteriets livslängd.



FARA!

Battericellen innehåller brandfarliga och farliga ämnen. Felhantering kan orsaka brand, rök, explosion och allvarig personskada eller förlust av egendom. Läs och följ alltid följande förbjudna åtgärder, utrusta lämplig skyddsutrustning innan du utför någon batterirelaterad operation.

Håll batteriet borta från spädbarn och barn för att undvika olyckor. Om yngre barn använder batteriet, bör deras vårdnadshavare förklara korrekt hanteringsmetod och försiktighetsåtgärder innan de används, och alltid säkerställa batteriets integritet.

Använd endast dedikerad laddare och ladda batteriet endast på det dedikerade sättet. Ladda inte batteriet direkt från ett eluttag eller en cigarettändaruttag för bilar. Ladda inte batteriet utan uppsikt.

- Ladda inte batteriet omvänt.
- Lämna inte batteriet nära elden eller en uppvärmd källa och kasta inte batteriet i eld.
- Ladda eller använd inte batteriet i en bil eller liknande plats där temperaturen inuti kan vara över 50°C.
- Doppa inte, kasta och blöt inte batteriet i vatten/havsvatten etc.
- Kortslut inte och anslut inte (+) positiva och (-) negativa poler med metallföremål. Förvara inte batteriet i en ficka eller en väska tillsammans med metallföremål som nycklar, halsband, hämmålar, mynt eller skruvar.
- Stick inte igenom batteriet med ett vasst föremål som en nål, skruvmejslar.
- Hetta inte upp en del av batteriet med uppvärmda föremål som lödkolv.
- Slå inte med tunga föremål som en hammare, vikter. Trampa inte på batteriet och kasta eller tappa batteriet för att undvika mekaniska stötar. Använd inte allvarligt deformerat batteri.
- Ta inte isär batteriet eller modifiera batteridesignen inklusive dess elektriska krets.
- Löd inte på batteriet direkt och använd eller blanda inte gamla och nya batterier.

- Placera inte batteriet i en mikrovågsugn, torktumlare eller högtrycksbehållare.
- Använd eller sätt inte ihop batteriet med andra tillverkares batterier, olika typer och/eller modeller av batterier som torrbatterier, nickel-metallvätebatterier eller nickel-kadmiumbatterier.

Håll borta från eld när läckage eller dålig lukt upptäcks. Om vätska läcker ut på din hud eller kläder, tvätta omedelbart med rent vatten. Om vätska som läcker från batteriet kommer in i dina ögon, gnugga inte ögonen och skölj dem med rent vatten och uppsök läkare omedelbart. Om batteriets poler blir smutsiga, torka med en torr trasa innan du använder batteriet.

Täck terminalerna med lämplig isoleringstejp före kassering.

Innan du använder/installerar/tar bort batteriet eller använder laddaren, läs alltid bruksanvisningen och följ försiktighetsåtgärderna vid hanteringen.

Ersätt batteriet när batteritiden blir mycket kortare än vanligt

Om batteriet behöver förvaras under en längre tid, bör batteriet tas ur enheten och förvaras på en plats där luftfuktigheten och temperaturen är låg.

Medan batteriet laddas, används och förvaras, håll det borta från föremål med statisk elektricitet.

Kan inte använda ett icke-uppladdningsbart batteri som ersättning.

Batteriet måste tas ur enheten innan det skrotas.

Enheten måste kopplas bort från elnätet när du avlägsnar batteriet.

Batteriet ska kasseras på ett säkert sätt.

Använd inte batteriet vid generering av statisk elektricitet (mer än 100V), batteriskyddskretsen kommer att skadas.

Avlägsna inte batteriet. Att avlägsna batteriet är komplicerat och kan förändra enhetens funktion. Kontakta endast ett auktoriserat servicecenter för användning av batteriet.

Förvara eller ladda inte batteriet vid temperaturer utanför de angivna gränserna (se i denna handbok). Punktera inte batteriet. Se dina lokala lagar och förordningar angående batteriåtervinning och/eller kassering.

Ett väl underhållet batteri kan prestera bra även efter många mils körning. Ladda batteriet efter varje åktur och undvik att ladda ur batteriet helt.

VARNING!

Håll borta från eld när läckage eller dålig lukt upptäcks. Om vätska läcker ut på din hud eller kläder, tvätta omedelbart med rent vatten. Om vätska som läcker från batteriet kommer in i dina ögon, gnugga inte ögonen och skölj dem med rent vatten och uppsök läkare omedelbart. Om batteriets poler blir smutsiga, torka med en torr trasa innan du använder batteriet.

Täck terminalerna med lämplig isoleringstejp före kassering.

Innan du använder/installerar/tar bort batteriet eller använder laddaren, läs alltid bruksanvisningen och följ försiktighetsåtgärderna vid hanteringen.

Ersätt batteriet när batteritiden blir mycket kortare än vanligt

Om batteriet behöver förvaras under en längre tid, bör batteriet tas ur enheten och förvaras på en plats där luftfuktigheten och temperaturen är låg.

Medan batteriet laddas, används och förvaras, håll det borta från föremål med statisk elektricitet.

Kan inte använda ett icke-uppladdningsbart batteri som ersättning.

Batteriet måste tas ur enheten innan det skrotas.

Enheten måste kopplas bort från elnätet när du avslägsnar batteriet.

Batteriet ska kasseras på ett säkert sätt.

Försök inte att själv ta isär batteriet. Rör inte batterikontakterna. Ta inte isär eller punktera höljet.

Håll batterikontakterna borta från metallföremål för att förhindra kortslutning. Risk för brand och elektriska stötar. Ladda eller använd inte batteriet om det är skadat eller om du ser spår av vatten.

Vid olycka eller haveri: kontakta en auktoriserad reparatör i ditt land.

Användaren måste kontakta en auktoriserad eller specialiserad kundtjänst.

X. Laddar/laddar ur och förvara batteriet

Varning: följ alltid följande meddelande.

Använd endast originalladdare, felaktig användning kan leda till personskada och förlust av egendom.

Ladda inte i närheten av eventuell vätska/eldkälla, undvik alltid brandfarliga ämnen. Lämna inte enheten utan uppsikt under laddning.

Ladda inte om laddningsporten eller laddningskabeln är våt.

Ladda eller använd inte batteriet om det är skadat eller om du ser spår av vatten.

Laddningsgränssnittet är försett med en speciell plats. Tvinga inte in kontakten, eftersom det kan skada enheten.

Laddningsindikatorn är röd när batteriet laddas. Indikatorn är grön när laddningen är klar.

Ta bort laddaren när laddningsindikatorn lyser grönt. Överladdning eller överurladdning kommer att orsaka oåterkalleliga skador på batteriet eller förlust av egendom. Om laddningsindikatorn direkt slår om till grönt under laddning efter körning, koppla ur laddaren och låt batteriet svalna innan det laddas. Detta är det normala fenomenet med intelligent skydd på grund av batteriets höga inre temperatur. Laddningen kan påbörjas efter att batteriet har svalnat.

Sluta ladda och koppla bort laddaren om batteriet inte är fulladdat efter följande rekommenderade tidsperiod. Kontakta kundtjänst för mer information.

Laddningsporten måste täckas av ett påsatt gummilock efter varje laddning.

Var alltid extra försiktig när du hanterar batteriet.

Sluta använda batteriet om batteriet blir onormalt varmt eller om du känner eller ser lukt, missfärgning, deformation eller annat onormalt tillstånd under användning, laddning eller förvaring.

Batteriet kan användas inom följande temperaturområden. Överskrid inte dessa intervall.

Användningstemperatur: -10-60°C (Batteriprestanda varierar beroende på temperatur)

Laddningstemperatur: 10-45°C

Förvarings- och transporttemperatur: -10-45°C

Fuktighet vid förvaring: 10-80 %

XI. Användningsinformation

Produktnamn	Acer Electric Scooter ES Series 5
Modell	AES015
Mått, utvikt	118 L x 49 B x 125 H (cm)
Mått, ihopvikt	118 L x 49 B x 55 H (cm)
Vikt inkl. batteri	18,5 kg
Motor	350W
Batteri	15Ah
Batterityp	litiumjonisk
Batteritillverkare	TIANHONG
Laddar	42V/2,0A
Adaptertillverkare: FUYUANDIAN, Modellnr: FY-4202000	
Full laddningstid	4 timmar
Maxhastighet	20 km/h eller 25 km/h (beroende på ländernas regler)
Maximalt avstånd utan laddning	60Km
Hastighetsreglering	ja
Hastighetslägen	3
Nivå för hastighetslägen	0-6 km/h; 0-10 km/h; 0-20 eller 25 km/h (beroende på landets regler)
Vikmekanism	Ja
Huvudmaterial	däck i aluminiumlegering, framrör i stål
Maximal belastning	upp till 100 kg
Fri höjd	11 cm
Höjdstyrbart styre	nej
Bromsar	främre elektronisk broms och bakre skivbroms
Skärm	LED-skärm

Hjulabsorbent	Ja
Hjul	solid däckjul
Däckmaterial	gummi
Drivenhet	Framhjulsdrift
Hjuldiameter	10"
Vattentät	IPX4
Reflexer	ja
Strålkastare	ja
Program	nej
Ljudsignal	ja
Baklyse	ja
Bluetooth	ja
Klättringsförmåga	10°

XII. Andra

1. Tillverkarens datum anges på produktetiketten

2.  Förvaring

Förvara denna produkt på en torr, sval och säker plats, undvik fukt och höga temperaturer. Fuktighet kan skada elektriska komponenter. När litiumbatteriet går sönder, kontakta ditt lokala återvinningsombud och kassera litiumbatteriet i enlighet med dina nationella eller lokala lagar och förordningar.

- Användningstemperatur: -10-60°C
- Laddningstemperatur: 10-45°C
- Förvarings- och transporttemperatur: -10-45°C
- Fuktighet vid förvaring: 10-80 %

3. Denna produkt får inte slängas med annat hushållsavfall.

Vänligen återvinn den för att minimera miljöföroreningar i enlighet med lokala bestämmelser eller kontakta ditt lokala stadskontor, hushållsavfallshantering.

- 1) Enheterna är inte avsedda att användas på högre höjd än 2 000 m över havet.
- 2) Längre tids exponering för uv-strålning, regn och väder och vind kan skada materialet i höljet. Förvara enheten inomhus när den inte används.
- 3) VARNING - Brandrisk - Innehåller inga delar som kan repareras av användaren.



Acer Incorporated
8F, 88, Sec. 1, Xintai 5th Rd., Xizhi
New Taipei City 221, Taiwan

EU-försäkran om överensstämmelse

Vi,

Acer Incorporated

8F, 88, Sec. 1, Xintai 5th Rd., Xizhi, New Taipei City 221, Taiwan

Och,

Acer Italy s.r.l.

Viale delle Industrie 1/A, 20044 Arese (MI), Italy

Tel: +39-02-939-921, Fax: +39-02 9399-2913

www.acer.it

Produkt: Acer Electric Scooter ES Series 5

Varunamn: acer

Modellnummer: AES015

SKU-nummer: AES015 *****

(***=0-9, a-z, A-Z, eller blanksteg)

Vi, Acer Incorporated, förklarar härmed under vårt ensamma ansvar att produkten som beskrivs ovan överensstämmer med relevant harmoniseringslagstiftning i unionen: Maskindirektivet 2006/42/EU och RoHS-direktivet 2011/65/EU. Följande harmoniserade standarder och/eller andra relevanta standarder har tillämpats:

EN 17128:2020

EN 301 489-17 V3.2.4

EN 300 328 V2.2.2

EN 62479:2010

EN 301 489-1 V2.2.3

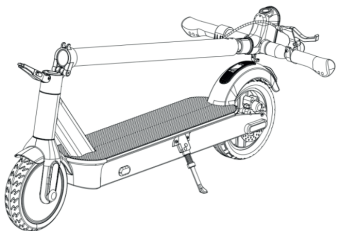




EN IEC 63000:2018

Är att börja anslå CE-märkning: 2022.

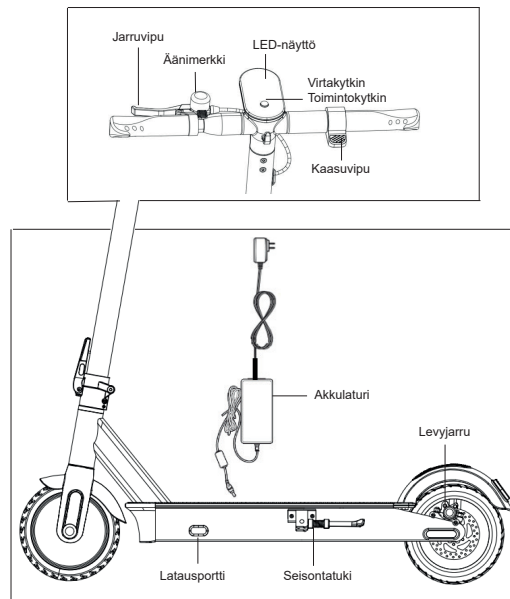
RU Jan / Sr. Manager
Acer Incorporated (Taipei, Taiwan)

2022-05-16
Datum

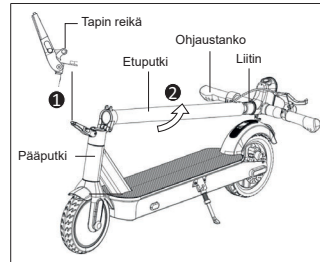
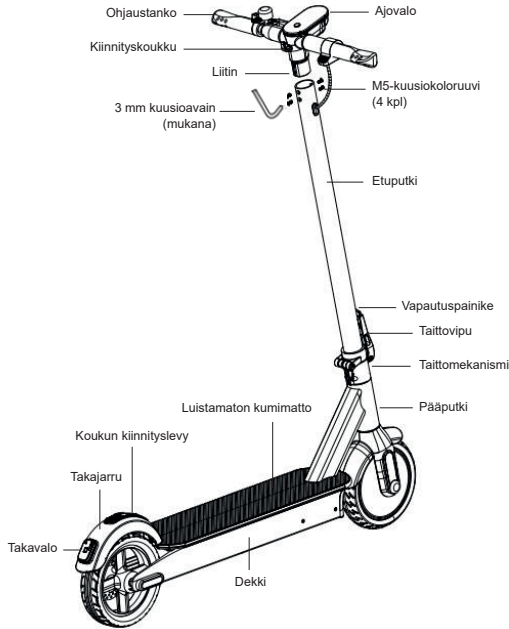
I. Pakkauksen sisältö

Sähköpotkulauta*1	
3 mm kuusioavain *1	
Omistajan opas*1	
Akkulaturi *1	
M5*14L upporuuvi *4 kpl	

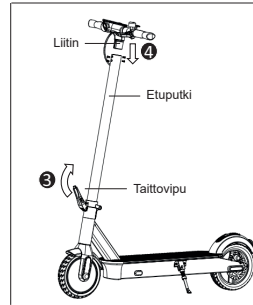
II. Osat



III. Kokoaminen



- 1 Avaa taittovipu kokonaan niin, että tapin reikä tulee näkyviin.
- 2 Nosta etuputki liittimen ja ohjaustangon kanssa samalle tasolle pääputken kanssa.



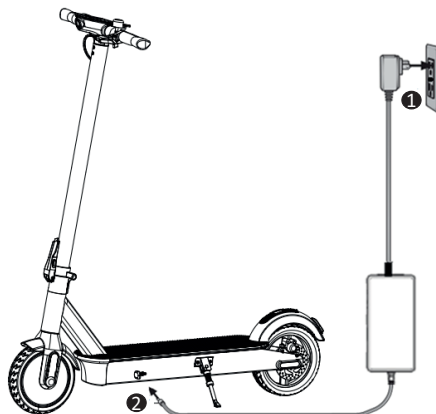
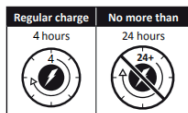
- 3 Lukitse taittovipu.
- 4 Työnnä liitin etuputkeen.



- 5 Kiristä kaikki etuputken 4 kuusioruuvia mukana toimitetulla 3 mm:n kuusioavaimella.

IV. Akun lataaminen

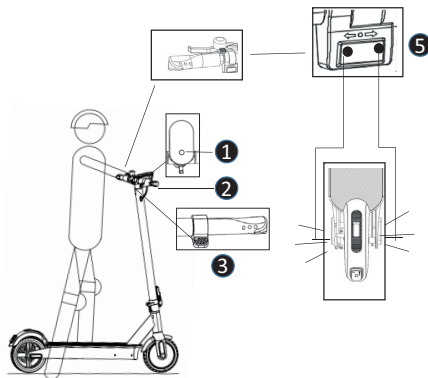
Huomautus: Laturin merkivalo on **punainen** latauksen aikana ja vaihtuu **vihreäksi**, kun lataus on valmis.



V. KÄYTTÖ

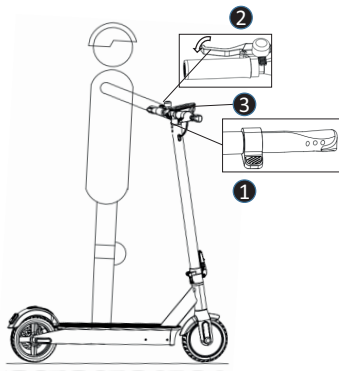
Sähköpotkulaudan käynnistys

1. Käynnistä sähköpotkulautaa painamalla virtapainiketta 3 sekunnin ajan. Sytytä/sammuta valot painamalla virtapainiketta kerran lyhyesti. Vaihda nopeusasetuksia painamalla virtapainiketta pitkään kaksi kertaa. Vaihda yksiköiden km/h ja mp/h välillä painamalla virtapainiketta pitkään 3 kertaa.
2. Tartu ohjaustankoon kunnolla molemmiin käsiin.
3. Astu dekkille toisella jalalla, potkaise toisella jalalla maasta vauhtia ja paina kevyesti kaasuvipua.
4. Nosta molemmat jalat dekkille liikkellelähdön jälkeen.
5. Suuntavilkku (valinnainen).



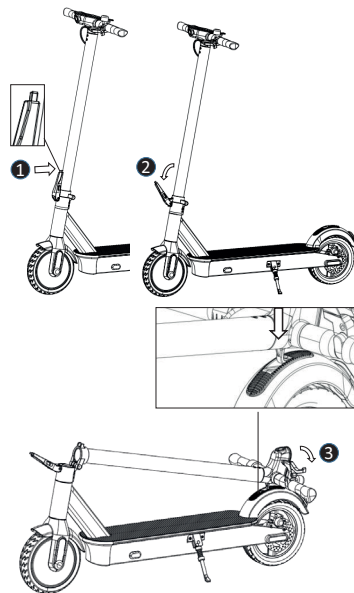
Sähköpotkulaudan pysäyttäminen

1. Vapauta kaasuvipu.
2. Jarruta painamalla etukäsijarruvipua alas.
3. Paina virtapainike pois päältä, kun lopetat ajamisen.



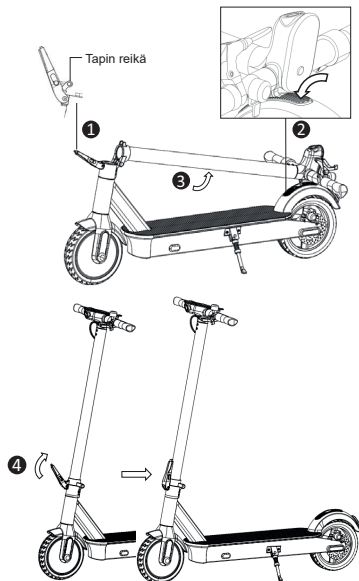
Sähköpotkulaudan taittaminen

1. Paina vapautuspainike alas.
2. Avaa taittovivun lukitus.
3. Käännä etuputki taakse ja lukitse kiinnityskoukku takapyörän jarrun kiinnityslevyyn.



Sähköpotkulaudan avaaminen

1. Avaa taittovipu kokonaan niin, että tapin reikä tulee näkyviin.
2. Paina koukun kiinnityslevyä alas niin, että kiinnityskoukku vapautuu.
3. Nosta etuputki ylös.
4. Lukitse taittovipu.



VI. Vianetsintä

Vikakoodin esittely ja toimenpiteet

Vikakoodi	Johdanto	Toimenpiteet
0E	Akku lopussa	Täysi akku
1E	Yliładattu akku	Poista laturi. Ota yhteyttä valtuutettuun huoltoliikkeeseen, jos vikakoodi ei vieläään poistu.
2E	Ohjainvika	Ota yhteyttä valtuutettuun huoltoliikkeeseen.
3E	Ohjaimen ylälämpötila, suojaohjelma käynnistyy	Älä käytä sähköpotkulaudaa toistaiseksi. Odota, kunnes lämpötila laskee ja yritä uudelleen.
4E	Signaalijohto saattaa olla löystynyt tai irronnut	Ota yhteyttä valtuutettuun huoltoliikkeeseen.
5E	Löystynyt liitäntä moottorin ja ohjaimen välillä	Ota yhteyttä valtuutettuun huoltoliikkeeseen.
6E	Vika kaasussa	Ota yhteyttä valtuutettuun huoltoliikkeeseen.
7E	Vika jarrujärjestelmässä	Ota yhteyttä valtuutettuun huoltoliikkeeseen.

Vikakoodin esittely ja toimenpiteet		
8E	Ylivirta, suojausohjelma käynnistyy	Pysäytä sähköpotkulauta ja käynnistä uudelleen myöhemmin. Ota yhteyttä valtuutettuun huoltoliikkeeseen, jos vikakoodi ei vielä kukaan poistu.
9E	Moottorilukittu roottori	Pysäytä sähköpotkulauta ja käynnistä uudelleen myöhemmin. Ota yhteyttä valtuutettuun huoltoliikkeeseen, jos vikakoodi ei vielä kukaan poistu.

Akku ei lataudu

Toimenpiteet:

1. Pistoke ei ole kunnolla paikallaan.
2. Laturi on vaurioitunut, käytä uutta laturia.
3. Akun johdotus on löysällä, liitä navat uudelleen.

Riittämätön kilometrimäärä latauksen jälkeen

Toimenpiteet:

1. Riittämätön latausriitä, lataa akku täyteen.
2. Ylämäki ja kova vastatuuli, raskas kuorma, huono tienpinta ja alhainen lämpötila.
3. Akun ja latausportin väliin kytketty napa on löystynyt, liitä navat uudelleen.

Nopeus on liian alhainen

Toimenpiteet:

1. Akun jännite on liian alhainen, lataa akku täyteen.

Jarru ei toimi

Toimenpiteet:

1. Jarruvaijeri on liian pitkä, kiristä jarruvaijeri uudelleen.
2. Jos jarrupala on vaurioitunut, vaihda alkuperäinen.

Huomautus: Kun havaitset toimintahäiriön, ota yhteyttä valtuutettuun huoltoliikkeeseen. Älä korjaa tai muokkaa sähköpotkulautaa itse. Tämä voi aiheuttaa takuurajoituksia ja henkilövahinkoja.

VII. AJAMINEN JA TURVALLISUUS

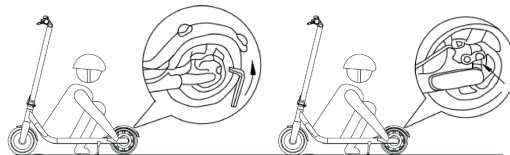
Tämän laitteen käyttö edellyttää opettelua. Käyttö ilman oikeaa opettelua voi aiheuttaa henkilövahinkoja. Käytä suoja vaurioiden estämiseksi. Kun olet suorittanut nämä vaiheet, voit käynnistää sähköpotkulaudan.



JARRUN SÄÄTÖ

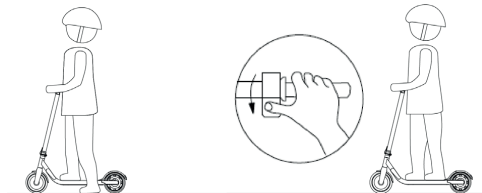
Tarkista jarrut ennen jokaista ajoa. Jos jarru tuntuu liian tiukalta, käytä kuusioavainta vastapäivään ja löysää levyjarrun istukan painelevyn ruuvit, vapauta jarruvaijeri lyhentääksesi hieman paljastunutta pituutta ja kiristä painelevyn ruuvit. Jos jarru tuntuu liian löysältä, vapauta painelevyn ruuvit, vedä jarruvaijeria hieman pidemmäksi ja lukitse sitten painelevyn ruuvit.

VAROITUS! Voimakkaissa jarrutuksissa vaarana on vakava loukkaantuminen pidon menettämisen ja kaatumisen vuoksi. Pidä nopeus kohtuullisena ja varo mahdollisia vaaroja.



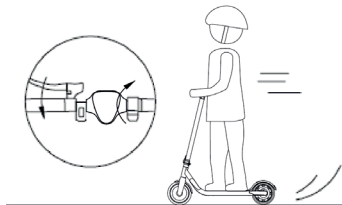
KÄYTTÖ

Pidä toinen jalka laudalla ja toinen maassa. Pidä jalkaa maassa, kunnes nopeus saavuttaa 3 km/h ja alkaa kiihtyä. Pidä toinen jalka laudalla ja kiihdytä sopivasti tai säilytä tietty nopeus. Tämä toimenpide on tarpeen ajon aloittamiseksi turvallisesti.

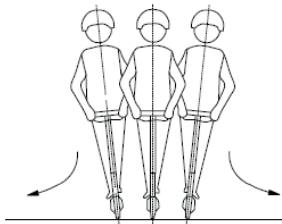


TASAINEN VAUHTI

Jos pidät kaasupoljinta painettuna, nopeus pysyy tasaisena ja lisää ajomukavuutta. Peruuta tämä toiminto aktivoimalla jarru.

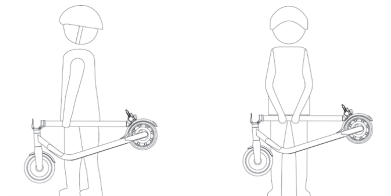


Etsi tasapainoinen asento, joka mahdollistaa kääntymisen:



TAITTAMINEN JA KULJETUS

Kun sähköpotkulauta on taitettu, kuljeta sitä kantamalla tangosta kuvan osoittamalla tavalla:



Varoitukset: näiden ohjeiden laiminlyönti voi johtaa vakavaan henkilövahinkoon.

- ÄLÄ aja sähköpotkulaudalla sateessa.
- ÄLÄ kastu.
Varo päätäsi, kun kuljet oviaukoista.
Pidä nopeutesi välillä 5–10 km/h, kun ajat nopeustöyssyihin, hissiovista, kuoppaisilla teillä tai muilla epätasaisilla alustoilla. Taivuta hieman polvea myötäiläkseksi paremmin mainittuja pintoja.
- ÄLÄ pidä jalkoja takalokasuojan päällä.
- ÄLÄ paina kaasua, kun talutat sähköpotkulauta.
Vältä koskettamasta esteitä renkaalla.
- ÄLÄ kuljeta raskaita esineitä ohjaustangossa.
- ÄLÄ aja sähköpotkulauta yhdellä jalalla.
- ÄLÄ aja yleisillä teillä, maanteillä tai moottoriteillä.
- ÄLÄ käännä ohjaustankoa voimakkaasti suurella nopeudella ajaessasi.
- ÄLÄ aja ylös ja alas portaita tai hyppää esteiden yli.
- ÄLÄ nosta käsiäsi ohjaustangolta ajon aikana. Älä aja vain yhdellä kädellä.

- ÄLÄ aja lätäköiden tai muiden (vesi)esteiden läpi. Laske siinä tapauksessa nopeutta ja ohita este.
- ÄLÄ kuljeta matkustajia sähköpotkulaudalla. Sähköpotkulauta on tarkoitettu vain yhdelle kuljettajalle.
- Älä kuljeta lapsia.
- Älä aja raskauden aikana.
- ÄLÄ käytä matkapuhelinta tai käytä kuulokkeita ajaessasi sähköpotkulaudalla.
- ÄLÄ koske napamoottoriin ajon jälkeen, koska se voi kuuma.
- Pidä aina molemmat kädet ohjaustangolla. Vaarana on vakava loukkaantuminen tasapainon menettämisen ja kaatumisen takia.
- Saa käyttää vain kuivalla säällä.
- Emme suosittele käyttöä yleisillä teillä.
- Älä koskaan käännä voimakkaasti suurilla nopeuksilla ajaessasi.
- Älä lähde liikkeelle tai pysähdy äkillisesti.
- Varmista, että sähköpotkulaudan nopeus on turvallinen sinulle ja muille. Ole valmis pysähtymään milloin tahansa sen ollessa liikkeessä.
- Kun ajat sähköpotkulaudalla, pidä etäisyyttä muihin törmäysten välttämiseksi.
- Kääntäessäsi sinun on käytettävä kehosi painopistettä; painopisteen voimakas muutos voi aiheuttaa vahinkoja.
- Tarkista säännöllisesti laakerit kosteuden ja lian varalta. Kuivaa ja puhdista laakerit. Voitele laakerit tarvittaessa puhdistuksen jälkeen. Käytä vain tähän tarkoitukseen sopivia voiteluaineita. Tarkista myös ohjausasetto varmistaaksesi, että tämä tuote on turvallinen.
- Muita kuin valmistajan ohjeiden mukaisia muutoksia ei saa tehdä.
- Kun itselukkiutuvat mutterit ja muut itselukittuvat kiinnikkeet voivat menettää tehokkuutensa.
- Vältä ajamista jyrkillä rinteillä.

VIII. PUHDISTUS JA HUOLTO

Tätä sähköpotkulautaa voidaan käyttää kuljetusvälineenä ja sellaisenaan se vaatii kaikkien sellaisten osien huoltoa, jotka kärsivät eniten käytöstä joutuva kulumisesta eivätkä kuulu takuun piiriin.

PUHDISTUS

Varmista, että sähköpotkulaudan virta on katkaistu, latauskaapeli on irrotettu ja latausportin kumitulppa on tiiviisti suljettu ennen puhdistamista. Muussa tapauksessa saatat vahingoittaa elektronisia osia. Irrota tuote aina ensin laturista, suojaa vesitiivis latauspistoke, katkaise virta tuotteesta ja vältä nesteen joutumista kosketuksiin akun, moottorin ja muiden elektronisten osien kanssa puhdistuksen aikana odottamattomien vaarojen välttämiseksi. Älä puhdista tuotetta painepesurilla tai upota sitä veteen.

Puhdista sähköpotkulauta kostealla liinalla. Käytä lian kaapimiseen pehmeää harjaa ja sitten kosteaa liinaa.

Muista peittää latausportti elektronisten komponenttien ongelmien välttämiseksi.

Älä käytä alkoholia, bensiiniä, kerosiinia tai muita haihtuvia tai syövyttäviä kemiallisia aineita. Ne voivat vahingoittaa sähköpotkulaudan ulkopintoja ja sisäistä rakennetta. Älä myöskään käytä painevesipistoolia tai juoksevaa vettä.

SÄILYTTÄMINEN

Säilytä sähköpotkulautaa viileässä ja kuivassa ympäristössä, kun sitä ei käytetä. Vältä jättämästä sitä ulos, koska sitä ei ole valmistettu käytettäväksi kosteissa ympäristöissä. Älä myöskään säilytä sähköpotkulautaa lähellä syövyttäviä aineita, esim. merivesi jne. Lautaa ei myöskään suositella altistettavaksi pitkäksi aikaa suoran auringonvalon aiheuttamille korkeille lämpötiloille.

IX. AKUN KÄSITTELY JA KIELLETTY TOIMENPITEET

Älä käytä muiden mallien tai merkkien akkuja – käytä ainoastaan alkuperäistä akkua.

Älä sijoita akkua ympäristöön, jossa lämpötila on yli 50°C tai alle -20°C (esim. älä sijoita sähköpotkulaudaa auton tavaratilaan kesällä), äläkä sijoita akkua avotulen läheisyyteen. Se voi aiheuttaa akkuvian, ylikuumenemisen ja jopa tulipalon vaaran.

Vältä akkujen tyhjenemistä kokonaan. On parempi ladata ne, kun niissä on vielä virtaa. Tämä pidentää akun käyttöikää. Lisäksi sähköpotkulaudan käyttäminen erittäin kylmillä tai lämpimillä alueilla saattaa lyhentää akkujen käyttöaikaa. Kyseessä ei ole akkuvika, se on niiden normaalia toimintaa.

Kun akku on käyttämättömänä yli 30 päivää, lataa se täyteen ja säilytä se viileässä ja kuivassa paikassa ja lataa akku täyteen 60 päivän välein. Jos näitä ohjeita ei noudateta, akku voi vaurioitua, eikä takuu kata tätä vahinkoa.

Akkukotelon purkaminen on kiellettyä. Sille saa tehdä toimenpiteitä ainoastaan teknisissä huoltoliikkeissä tai niihin kuuluvissa korjaamoissa.

Lataa ainoastaan alkuperäisellä laturilla – muussa tapauksessa on olemassa vaurion tai tulipalon vaara.

Käytettyjen akkujen puutteellinen hävittäminen voi aiheuttaa vakavan ympäristövahingon. Noudata paikallisia määräyksiä akkua hävitettäessä.

Lataa akku jokaisen käyttökerran jälkeen, tämä pidentää akun käyttöikää.



Akkukenno sisältää syttyviä ja vaarallisia aineita. Virheellinen käsittely voi aiheuttaa tulipalon, savua, räjähdyksen ja vakavia henkilö- tai omaisuusvahinkoja. Lue aina seuraavat kielletyt toimet ja noudata niitä. Käytä aina asianmukaisia henkilösuojaimia ennen mitään akulle tehtäviä toimenpiteitä.

Pidä akku poissa vauvojen ja lasten ulottuvilta onnettomuuksien välttämiseksi. Jos lapset käyttävät akkua, heidän huoltajiensa tulee selittää oikea käsittelytapa ja varotoimet ennen käyttöä ja varmistaa aina akun eheys.

Käytä vain suositeltua laturia ja lataa akku ohjeiden mukaisesti. Älä lataa akkua suoraan sähköpistorasiasta tai auton savukkeensytytintilistä. Älä lataa akkua ilman valvontaa.

- Älä lataa akkua väärällä napaisuudella.
- Älä jätä akkua tulen tai lämpölähteen lähelle äläkä heitä akkua avotuleen.
- Älä lataa tai käytä akkua autossa tai vastaavassa paikassa, jossa sisälämpötila voi olla yli 50 °C.
- Älä upota, heitä tai kastele akkua veteen/meriveteen jne.
- Älä oikosulje tai liitä (+) plus- ja (-) miinusnapoja metalliesineeseen. Älä säilytä akkua taskussa tai laukussa metalliesineiden, kuten avainten, kaulakorujen, hiusneulojen, kolikoiden tai ruuvien kanssa.
- Älä lävistä akkua terävällä esineellä, kuten neulalla tai ruuvimeisselillä.
- Älä lämmitä akun tiettyjä alueita kuumilla esineillä, kuten juotoskolvilla.
- Älä lyö painavilla esineillä, kuten vasaralla tai painolla. Älä astu akun päälle ja heitä tai pudota akkua välttääksesi mekaanista iskua. Älä käytä selkeästi epämuodostunutta akkua.
- Älä pura akkua tai muuta akun rakennetta, mukaan lukien sähköpiiri.
- Älä juota suoraan akkuun äläkä käytä tai kokoa vanhoja ja uusia akkuja yhteen.
- Älä laita akkua mikroaaltouuniin, kuivausrumpuun tai korkeapainesäiliöön.

- Älä käytä tai asenna akkua muiden valmistajien akkujen, erityyppisten ja/tai -mallisten akkujen, kuten kuiva-akkujen, nikkelimetallivetyakkujen tai nikkelikadmiumakkujen kanssa.

Pidä kaukana avotulesta välittömästi, kun havaitset vuotoa tai epämiellyttäviä hajuja. Jos akusta vuotavaa nestettä joutuu ihollesi, pese iho välittömästi ja hyvin puhtaalla vedellä. Jos akusta vuotavaa nestettä joutuu silmiisi, älä hiero silmiä vaan pese ne puhtaalla vedellä ja hakeudu välittömästi lääkäriin. Jos akun navat ovat likaiset, pyyhi ne kuivalla liinalla ennen akun käyttöä.

Peitä liittimet asianmukaisella eristeteipillä ennen hävittämistä.

Ennen kuin käytät/asennat/irrotat akkua tai käytät laturia, lue aina käyttöohje ja noudata annettuja varotoimia.

Vaihda akku, kun akun käyttöaika on huomattavasti normaalia lyhyempi.

Jos akkua on säilytettävä pitkään, akku tulee poistaa käyttökohteesta ja säilyttää paikassa, jossa kosteus ja lämpötila ovat alhaisia.

Kun akkua ladataan, käytetään ja säilytetään, pidä se poissa staattisesti sähköisten esineiden läheisyydestä.

Akun tilalla ei voi käyttää ei-ladattavaa akkua.

Akku on poistettava laitteesta, ennen kuin se hävitetään.

Laite on irrotettava verkkovirrasta ennen akun irrottamista.

Akku on hävitettävä turvallisesti.

Älä käytä akkua, jos syntyy staattista sähköä (yli 100 V). Akun suojapiiri vaurioituu.

Älä irrota akkua. Akun irrottaminen on monimutkaista ja saattaa muuttaa koneen toimintaa. Ota yhteyttä valtuutettuun huoltoliikkeeseen, jolla on valtuudet käsitellä akkua.

Älä säilytä tai lataa akkua ilmoitettujen rajojen ulkopuolella (katso tämä käyttöohje). Älä puhkaise akkua. Tutustu paikallisiin lakeihin ja määräyksiin akkujen kierrätyksestä ja/tai hävittämisestä.

Hyvin hoidettu akku voi toimia hyvin jopa useiden kilometrien ajon jälkeen. Lataa akku jokaisen ajon jälkeen ja vältä akun tyhjentymistä kokonaan.



VAROITUS!

Pidä kaukana avotulesta välittömästi, kun havaitset vuotoa tai epämiellyttäviä hajuja. Jos akusta vuotavaa nestettä joutuu ihollesi, pese iho välittömästi ja hyvin puhtaalla vedellä. Jos akusta vuotavaa nestettä joutuu silmiisi, älä hiero silmiä vaan pese ne puhtaalla vedellä ja hakeudu välittömästi lääkäriin. Jos akun navat ovat likaiset, pyyhi ne kuivalla liinalla ennen akun käyttöä.

Peitä liittimet asianmukaisella eristeteipillä ennen hävittämistä.

Ennen kuin käytät/asennat/irrotat akkua tai käytät laturia, lue aina käyttöohje ja noudata annettuja varotoimia.

Vaihda akku, kun akun käyttöaika on huomattavasti normaalia lyhyempi.

Jos akkua on säilytettävä pitkään, akku tulee poistaa käyttökohteesta ja säilyttää paikassa, jossa kosteus ja lämpötila ovat alhaisia.

Kun akkua ladataan, käytetään ja säilytetään, pidä se poissa staattisesti sähköisten esineiden läheisyydestä.

Akun tilalla ei voi käyttää ei-ladattavaa akkua.

Akku on poistettava laitteesta, ennen kuin se hävitetään.

Laite on irrotettava verkkovirrasta ennen akun irrottamista.

Akku on hävitettävä turvallisesti.

Älä yritä purkaa akkua. Älä koske akun napoihin. Älä pura tai puhkaise koteloa.

Pidä akun navat kaukana metalliesineistä oikosulun välttämiseksi. Tulipalon ja sähköiskun vaara. Älä lataa tai käytä akkua, jos se on vaurioitunut tai siinä näkyy vettä.

Onnettomuuden tai vian sattuessa: ota yhteyttä maasi valtuutettuun korjaamoon.

Käyttäjän on otettava yhteys valtuutettuun tai erikoistuneeseen asiakaspalveluun.

X. Akun lataaminen/ tyhjentäminen ja säilyttäminen

 **Varoitus: noudata aina seuraavaa ohjetta.**

Käytä vain alkuperäistä laturia, virheellinen käyttö voi aiheuttaa henkilö- ja omaisuusvahinkoja. Takuu ei ota vastuuta ei-alkuperäisen laturin käytöstä.

Älä lataa minkään neste-/palolähteen lähellä – vältä aina syttyviä aineita.

Älä jätä laitetta ilman valvontaa latauksen aikana.

Älä lataa, jos latausportti tai latauskaapeli ovat märkiä.

Älä lataa tai käytä akkua, jos se on vaurioitunut tai siinä näkyy vettä.

Latausliitintä on varustettu erityisellä reiällä. Älä työnnä liitintä väkisin, sillä se voi vahingoittaa laitetta.

Laturin merkkivalo on punainen, kun akku latautuu. Merkkivalo on vihreä, kun lataus on valmis.

Irrota laturi, kun laturin merkkivalo palaa vihreänä. Yliilataus tai ylipurkaus aiheuttaa peruuttamattomia vahinkoja akulle tai omaisuuden menetyksen. Jos laturin merkkivalo muuttui vihreäksi heti latauksen aikana ajon jälkeen, irrota laturi ja anna akun jäähtyä ennen lataamista. Tämä on älysuojauksen normaali ilmiö, joka johtuu akun korkeasta sisäisestä lämpötilasta. Lataus voidaan aloittaa, kun akku on jäähtynyt.

Lopeta lataaminen ja irrota laturi, jos akku ei ole latautunut täyteen seuraavan suositellun ajan jälkeen. Lisätietoja saat ottamalla yhteyttä asiakaspalveluun.

Latausportti on peitettävä toimitetulla kumitulpalla jokaisen latauksen jälkeen.

Ole aina erityisen varovainen käsitellessäsi akkua.

Lopeta akun käyttö, jos akku kuumenee epätavallisen kuumaksi tai siinä havaitaan käytön, latauksen tai varastoinnin aikana hajua, värimuutoksia, muodonmuutoksia tai muuta normaalista poikkeavaa.

Akkua voidaan käyttää seuraavilla lämpötila-alueilla. Älä ylitä näitä rajoja.

Käyttölämpötila: -10–60°C (akun suorituskyky vaihtelee lämpötilan mukaan)

Latauslämpötila: 10–45°C

Varastointi- ja kuljetuslämpötila: -10–45°C

Varastointikosteus: 10–80%

XI. Käyttötiedot

Tuotenimi	Acer Electric Scooter ES Series 5
Malli	AES015
Mitat, avattuna	118P x 49L x 125K (cm)
Mitat, taitettuna	118P x 49L x 55K (cm)
Paino sis. akku	18,5 kg
Moottori	350 W
Akku	15 Ah
Akkutyypä	Litiumioni
Akun valmistaja	TIANHONG
Lataus	42 V/2,0 A
Adapterin valmistaja: FUYUANDIAN, mallinumero: FY-4202000	
Täyteen latauksen aika	4 tuntia
Suurin nopeus	20 km/h tai 25 km/h (maan lainsäädännön mukaan)
Suurin toimintasäde ilman latausta	60 km
Nopeuden säätö	Kyllä
Nopeustilat	3
Nopeustilatason	0-6 km/h; 0-10 km/h; 0-20 tai 25 km/h (maan lainsäädännön mukaan)
Taittomekanismi	Kyllä
Päämateriaali	Dekki alumiiniseosta, etuputki terästä
Suurin kuorma	100 kg
Maavara	11 cm
Korkeussäädettävä ohjaustanko	Ei
Jarrut	Elektroninen jarru edessä ja levyjarru takana
Näyttö	LED-näyttö

Iskunvaimennin	Kyllä
Renkaat	Umpikumirenkaat
Rengasmateriaali	kumi
Vetoyksikkö	Etuveto
Rengaskoko	10"
Vedenkestävä	IPX4
Heijastimet	Kyllä
Ajovalot	Kyllä
Sovellus	Ei
Äänimerkki	Kyllä
Takavalo	Kyllä
Bluetooth	Kyllä
Kiipeämiskyky	10°

XII. Muuta

1. Valmistuspäivämäärä on ilmoitettu tuotetarrassa

2.  Varastointi

Säilytä tätä tuotetta kuivassa, viileässä ja turvallisessa paikassa, vältä kosteutta ja korkeita lämpötiloja. Kosteus voi vahingoittaa sähkökomponentteja. Kun litiumakku rikkoutuu, ota yhteyttä paikalliseen kierrätyskeskukseen ja hävitä litiumakku kansallisten tai paikallisten lakien ja määräysten mukaisesti.

- Käyttölämpötila: -10-60°C
- Latauslämpötila: 10-45°C
- Varastointi- ja kuljetuslämpötila: -10-45°C
- Varastointikosteus: 10-80%

3. Tätä tuotetta ei saa hävittää muun kotitalousjätteen mukana. Kierrätä se ympäristön saastumisen minimoimiseksi paikallisten määräysten mukaisesti tai ota yhteyttä paikalliseen kunnanvirastoon tai kotitalousjätteiden hävityspalveluun.

4. 1) Laitteita ei ole tarkoitettu käytettäväksi yli 2000 m merenpinnan yläpuolella.

2) Pitkäaikainen altistuminen UV-säteille, sateelle ja vastaaville voivat vaurioittaa kotelon materiaalia. Säilytä sisätiloissa, kun sitä ei käytetä.

3) VAROITUS - Tulipalon vaara - Ei käyttäjän huollettavia osia.

EU-vaatimustenmukaisuusvakuutus

Me,

Acer Incorporated

8F, 88, Sec. 1, Xintai 5th Rd., Xizhi, New Taipei City 221, Taiwan

Ja,

Acer Italy s.r.l.

Viale delle Industrie 1/A, 20044 Arese (MI), Italy

Puh: +39-02-939-921, Fax: +39-02 9399-2913

www.acer.it

Tuote: Acer Electric Scooter ES Series 5
Kauppanimi: acer
Mallinumero: AES015
SKU-numero: AES015 *****
(****=0-9, a-z, A-Z, tai tyhjä)

Me, Acer Incorporated, vakuutamme täten yksinomaan omalla vastuullamme, että edellä kuvattu tuote on asiaankuuluvan unionin harmonisointilainsäädännön mukainen: Konedirektiivi 2006/42/EY ja RoHS-direktiivi 2011/65/EU. Seuraavia yhdenmukaistettuja standardeja ja/tai muita asioita koskevia standardeja on sovellettu:

EN 17128:2020

EN 300 328 V2.2.2

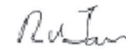
EN 301 489-1 V2.2.3

EN 301 489-17 V3.2.4

EN 62479:2010

EN IEC 63000:2018

CE-merkinnän käytön aloitusvuosi: 2022.



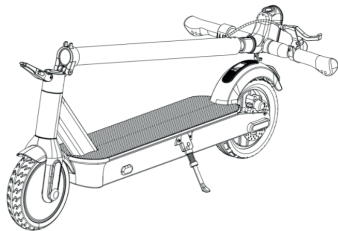


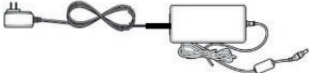

RU Jan / Pääjohtaja

Acer Incorporated (Taipei, Taiwan)

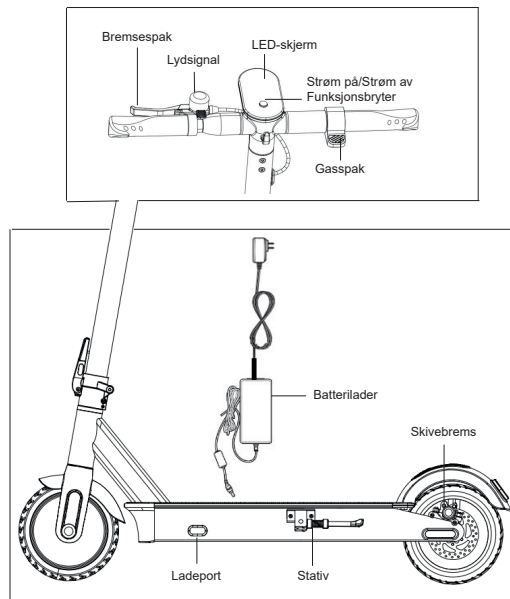
16.5.2022

Päivämäärä

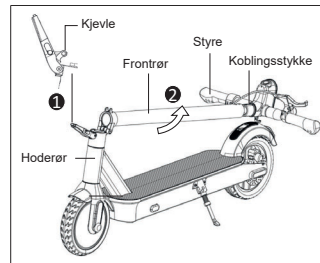
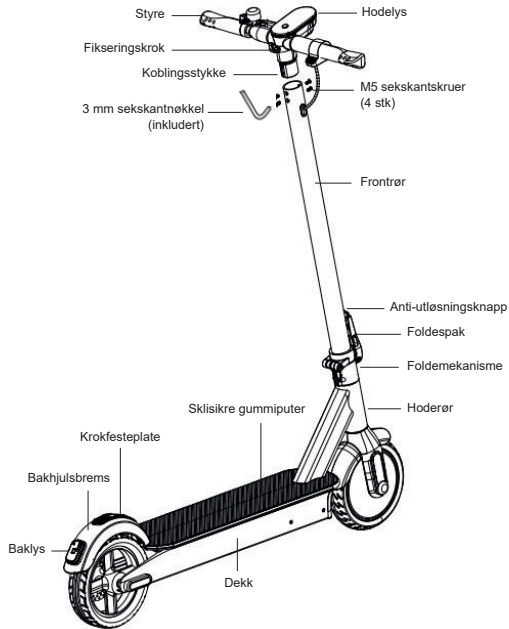
I. Innboksinnhold

Sparkesykkel *1	
3 mm sekskantnøkkel *1	
Brukerhåndbok *1	
Batterilader *1	
M5*14L forsenket skrue *4 STK	

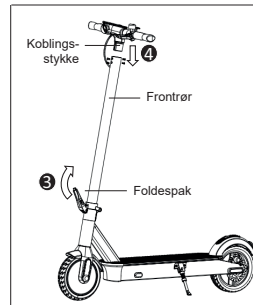
II. Deler



III. Montering



- 1 Foldespaken må åpnes helt for å avdekke kjevlen.
- 2 Løft opp frontrøret sammen med koblingsstykket og håndtaket, i nivå med hoderøret.



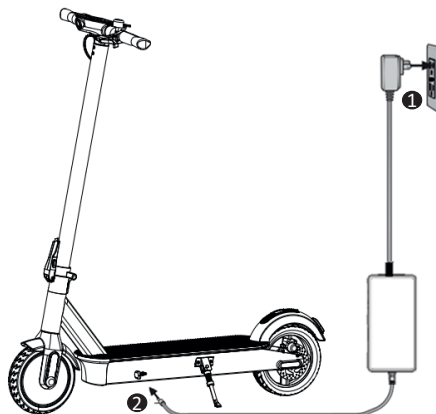
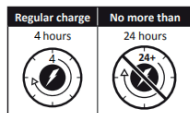
- 3 Lås foldespaken.
- 4 Sett inn koblingsstykket til frontrøret.



- 5 Stram alle de 4 sekskantskrue som finnes på frontrøret med den medfølgende sekskantnøkkelen på 3 mm.

IV. Lad batteriet

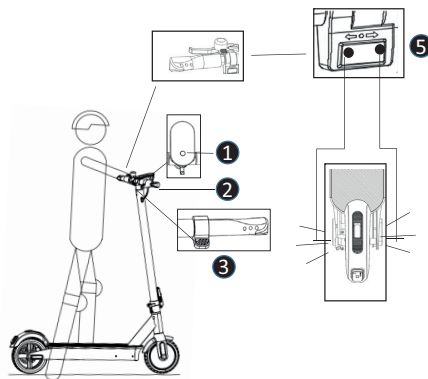
Merk: Laderlyset er **rød** ved lading og blir **grønn** etter at ladingen er fullført.



V. BRUK

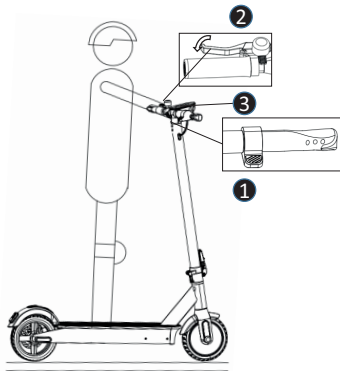
Starte sparkesykkelen

1. Trykk og hold inne på/av-knappen i 3 sekunder for å slå på sparkesykkelen.
Trykk kort på på/av-knappen én gang for å slå lys på/av.
Trykk kontinuerlig på på/av-knappen to ganger for å bytte hastigheten.
Trykk på på/av-knappen kontinuerlig i 3 ganger for å bytte mellom km/t og mp/t.
2. Ta godt tak i styret med begge hender.
3. Gå på dekk med en fot, spark mot bakken med den andre foten for å øke hastigheten, og trykk forsiktig på gasspaken.
4. Gå på dekk med begge føttene etter start.
5. Blinklys (valgfritt).



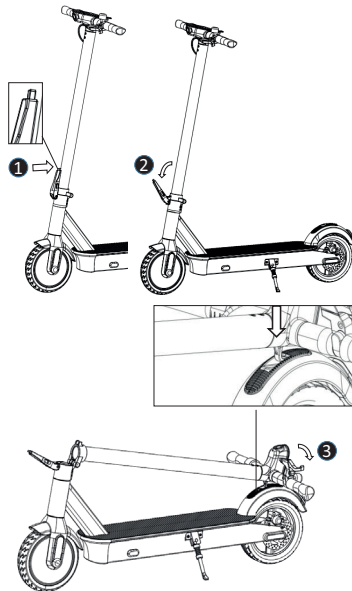
Stopper sparkesykkelen

1. Slipp gasspaken.
2. Brems ved å trykke ned den fremre håndbremsen.
3. Trykk på på/av-knappen av i tilfelle den ikke brukes.



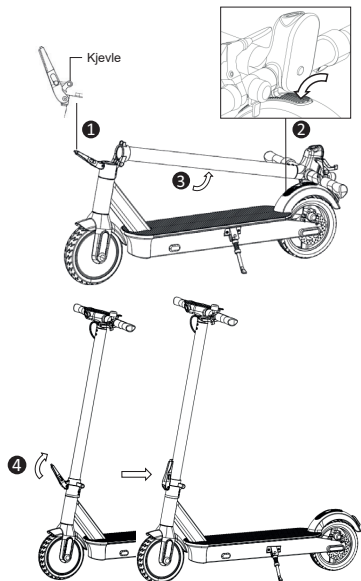
Sammenlegging av sparkesykkelen

1. Trykk ned frigjøringsknappen.
2. Lås opp foldespaken.
3. Brett fronttrøret tilbake og lås fikseringskroken til festeplaten som finnes på bakhjulets brems.



Brette ut sparkesykkelen

1. Foldespaken må åpnes helt for å avdekke kjevle.
2. Trykk ned festeplaten til kroken for å frigjøre fikseringskroken.
3. Løft fronttrøret opp.
4. Lås foldespaken.



VI. Feilsøking

Introduksjon og tilrettelegging av feilkode

Feilkode	Introduksjon	Tilrettelegging
0E	Lavt batterinivå	Lad batteriet helt opp
1E	Overlad batteriet	Fjern laderen. Kontakt et autorisert servicesenter i tilfelle feilkoden ikke er eliminert.
2E	Kontrollerfeil	Kontakt et autorisert servicesenter.
3E	Overtemperatur på kontrolleren, start beskyttelsesprogrammet	Ikke bruk sparkesykkelen inntil videre. Vent til temperaturen går ned og prøv igjen.
4E	Signalledningen kan løsnes eller mistes	Kontakt et autorisert servicesenter.
5E	Løs forbindelse mellom motor og kontroller	Kontakt et autorisert servicesenter.
6E	Akseleratorfeil	Kontakt et autorisert servicesenter.
7E	Bremsesystemfeil	Kontakt et autorisert servicesenter.
8E	Overstrøm, start beskyttelsesprogrammet	Stopp sparkesykkelen og start på nytt senere. Kontakt et autorisert servicesenter i tilfelle feilkoden ikke er eliminert.

Introduksjon og tilrettelegging av feilkode

9E	Låst rotor	Stopp sparkesykkelen og start på nytt senere. Kontakt et autorisert servicesenter i tilfelle feilkoden ikke er eliminert.
----	------------	---------------------------------------------------------------------------------------------------------------------------

Batteriet lades ikke

Metode:

1. Støpset er ikke satt inn på riktig måte.
2. Laderen er skadet, bruk ny lader.
3. Batterivridningen er løs, koble til polene på nytt.

Utilstrekkelig kjørelengde etter lading

Metode:

1. Utilstrekkelig lading, lad batteriet helt.
2. Oppoverbakke og sterk motvind, tung belastning, dårlig veidekke og lav temperatur.
3. Terminalene som er koblet mellom batteri og ladeport løsnes; koble til terminalene på nytt.

Hastigheten er for lav

Metode:

1. Batterispenningen er for lav, lad batteriet helt opp.

Bremsen virker ikke

Metode:

1. Bremskabelen er for lang, stram bremskabelen på nytt.
2. I tilfelle bremsklossen er skadet, må det skiftes ut en original.

Merk: Ved oppdaging av feil, ta kontakt med et autorisert servicesenter. Ikke reparerer eller modifiser sparkesykkelen selv. Dette kan forårsake garantibegrensninger og skader.

VII. RIDNING OG SIKKERHET

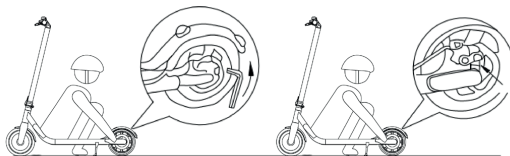
Det kreves en læringsprosess for bruk av enheten. Bruk uten en korrekt læringsprosess kan føre til skader. Bruk beskyttelse for å kunne forhindre skade. Etter fullføring av disse trinnene, kan den elektriske sparkesykkelen slås på:



JUSTERING AV BREMSE

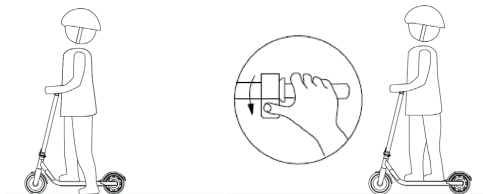
Sjekk bremsene før hver tur. I tilfelle du føler at bremsen er for stram, må det brukes en unbrakonøkkel mot klokken for å løsne skruene på trykkplaten på skivebremsesetet, slipp bremseledningen for å forkorte den eksponerte lengden litt og stram skruene til trykkplaten. I tilfelle du føler at bremsen er for løs, må skruene på trykkplaten løsnes, dra bremskabelen for å forlenge lengden litt og lås skruene på trykkplaten.

ADVARSEL! I tilfelle hard bremsing, kan dette føre til alvorlige skader på grunn av tap av veigrep og fall. Hold en moderat hastighet og se opp for potensielle farer.



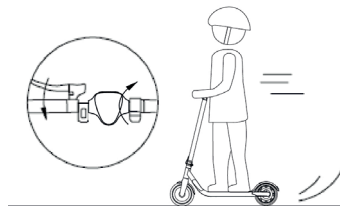
BRUK

Hold en fot på dekk og en fot på bakken. Fordyp med foten på bakken etter at hastigheten når 3 km/t begynner å akselerere. Hold en annen fot på dekket og akselerér eller hold en viss hastighet. Dette må gjøres for å starte og vær trygg.

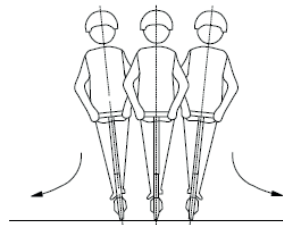


KONSTANT HASTIGHET

I tilfelle du holder gasspedalen nede, vil hastigheten være fast, for større komfort. Avbryt funksjonen for å aktivere bremsen.

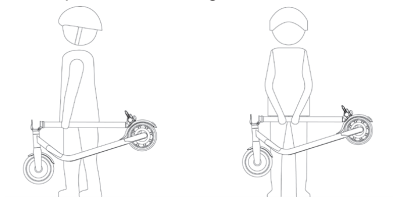


Se etter at likevektsstillingen slik at du kan sirkulere konstant:



SAMMENLEGGING OG TRANSPORT

Når den elektriske sparkesykkelen er foldet sammen, må den holdes ved stangen for å transportere den som i figuren:



⚠ Advarsel: i tilfelle du ikke følger instruksjonene, kan det føre til alvorlig skade.

- Den elektriske sparkesykkelen må IKKE kjøres i regnet.
- IKKE bli våt.
Pass på hodet ved å passere gjennom døråpninger.
Hold hastigheten mellom 5–10 km/t når du kjører gjennom fartsdumper, heisdører, humpete veier eller andre ujevne overflater. Bøy lett i kneet for en bedre justering av de nevnte flatene.
- IKKE hold føttene på sparkesykkelens bakvinge.
- IKKE trykk på gasspedalen i tilfelle du går med den elektriske sparkesykkelen.
Unngå å komme i kontakt med hindringer med dekket/hjulet.
- IKKE bær tunge gjenstander på styret.
- IKKE kjør den elektriske sparkesykkelen med kun én fot.
- IKKE kjør på offentlige veier, motorveier eller motorveier.
- IKKE roter håndtaket voldsomt i tilfelle du kjører i høy hastighet.
- IKKE kjør opp og ned trapper eller hopp over hindringer.
- IKKE ta hendene fra styret mens du kjører sparkesykkelen. IKKE kjør med kun én hånd.

- IKKE kjør gjennom vannpytter eller andre (vann)hindringer. I dette tilfelle, må du redusere hastigheten og omgå hindringen.
- IKKE ta med noen passasjerer. Den elektriske sparkesykkelen er kun for én fører.
- IKKE bære et barn.
- Ikke ri i tilfelle du er gravid.
- IKKE bruk mobiltelefon eller øretelefoner mens du kjører den elektriske sparkesykkelen.
- IKKE berør motoren etter å ha kjørt fordi den er varm.
- Hold alltid begge hendene på styret, ellers risikerer du alvorlig skade på grunn av tap av balanse og fall.
- Kun til bruk i tørt vær.
- Vår anbefaling er å ikke bruke sparkesykkelen på offentlig vei.
- Snu aldri voldsomt når du kjører fort.
- Ikke start eller stopp plutselig.
- Pass på at hastigheten på den elektriske sparkesykkelen er trygg for deg og andre, og vær alltid klar til å stoppe når som helst mens den kjører.
- Når du kjører den elektriske sparkesykkelen, må du alltid være på avstand fra andre for å unngå kollisjoner.
- Når du snur deg, må du alltid bruke tyngdepunktet til kroppen; en voldsom endring i tyngdepunktet kan føre til skade.
- Kontroller regelmessig lagrene for fuktighet og smuss. Tørk og rengjør lagrene. Smør om nødvendig lagrene etter rengjøring. Det må kun brukes egnede smøremidler for dette formålet. Sjekk styreposisjonen for å bekrefte at produktet er trygt.
- Det skal ikke gjøres andre endringer enn produsentens instruksjoner.
- Selvlåsende muttere og andre selvlåsende fester kan miste deres effektivitet.
- Unngå å kjøre i bratte bakker.

VIII. RENGJØRING OG VEDLIKEHOLD

Den elektriske sparkesykkelen kan brukes som et transportmiddel og krever vedlikehold av alle dens komponenter, som lider av slitasje som skyldes bruken av den og dekkes ikke av garantien.

RENGJØRING

Bekreft at den elektriske sparkesykkelen er slått av (OFF), ladekabelen er koblet fra, og at gummihetten på ladeporten er godt forseglet før rengjøring; ellers kan de elektroniske komponentene skades. Produktet må alltid kobles fra laderen først, den vannrette ladepluggen må dekkes, strømmen til produktet må slås av og væskekontakt med batteriet, motoren og andre elektroniske deler må unngås under rengjøring for å unngå uforutsette farer. Bruk aldri høytrykksvannstråle til rengjøring av produktet eller bløtlegge det aldri i vann.

Rengjør den elektriske sparkesykkelen ved å bruke en fuktig klut. I tilfelle du trenger å skrape skitt, bruk en myk børste og en fuktig klut.

Bekreft at ladeporten dekkes for å unngå problemer med de elektroniske komponentene.

Bruk aldri alkohol, bensin, parafin eller andre flyktige eller etsende kjemiske komponenter. Dette kan skade utseendet og den indre strukturen til den elektriske sparkesykkelen. Bruk aldri en trykkvannspistol eller rennende vann.

OPPBEVARING

Oppbevar den elektriske sparkesykkelen i et kjølig, tørt miljø når den ikke brukes. Unngå å la sparkesykkelen stå ute, da den ikke er produsert for bruk i våte områder, nær etsende midler som sjøvann, porter osv. Vår anbefaling er å ikke utsette den for høye temperaturer som er forårsaket av direkte sollys over lengre tid.

IX. BATTERIHÅNDTERING OG FORBUDTE HANDLINGER

Bruk aldri andre modeller eller merker av batterier. Det må kun brukes originale batterier.

Ikke plasser batteriet i et miljø med temperaturer som er høyere enn 50°C eller lavere enn -20°C (ikke plasser den elektriske sparkesykkelen inne i et bagasjerom om sommeren), og ikke plasser batteriet nær brannen. Ellers kan det føre til batterisvikt, overoppheting og til og med fare for brann.

Unngå å lade batteriene helt ut, det er bedre å lade dem mens det fortsatt er strøm i dem. Dette forlenger levetiden til batteriet. I tilfelle du kjører den elektriske sparkesykkelen i veldig kalde eller varme områder, kan tiden for bruk av batteriene reduseres. Det er ikke en feil på batteriene, men deres normale oppførsel.

Når den ikke brukes på mer enn 30 dager, lad den helt opp og oppbevar den på et kjølig, tørt sted og lad batteriet helt opp hver 60. dag. Unnlattelse av å følge trinnene kan skade batteriet, og skaden dekkes ikke av garantien.

Det er forbudt å demontere batterirommet. Kun manipulering i offisielle tekniske tjenester eller overholdte verksteder er tillatt.

Lading må kun utføres med den originale laderen, ellers er det fare for skade eller brann.

Utilstrekkelig avhending av brukte batterier kan føre til alvorlig miljøforurensning. Følg lokale forskrifter mens batteripakken kastes.

Etter hver bruk, lad opp batteriet da dette vil forlenge batteriets levetid.



FARE!

Battericelle inneholder brannfarlige og farlige stoffer. Feilhåndtering kan føre til brann, røyk, eksplosjon og alvorlig personskade eller tap av eiendom. Les og følg alltid de følgende forbudte handlingene, bruk riktig verneutstyr før batterirelaterte operasjoner utføres.

Hold batteriet unna spedbarn og barn for å unngå ulykker. I tilfelle yngre barn bruker batteriet, bør deres foresatte forklare riktig håndteringsmetode og forholdsregler før bruk, og alltid sikre integriteten til batteriet.

Det må kun brukes dedikert lader og batteriet må kun lades på den dedikerte måten. Ikke lad batteriet direkte fra en stikkontakt eller en sigarettlader. Lad aldri batteriet uten tilsyn.

- Lad aldri batteriet omvendt.
- La aldri batteriet nær ilden eller en oppvarmet kilde, og ikke kast batteriet i brann.
- Ikke lad eller bruk batteriet i en bil eller lignende sted hvor innsiden temperaturen kan overstige 50°C.
- Ikke senk, kast og fukt batteriet i vann/sjøvann osv.
- Ikke kortslett eller koble (+) positive og (-) negative terminaler til metallgjenstander. Batteriet må aldri oppbevares i en lomme eller en bag sammen med metallgjenstander som nøkler, halskjeder, hårnåler, mynter eller skruer.
- Ikke stikk hull på batteriet med en skarp gjenstand som en nål, skrutrekkere.
- Ikke varm opp deler av batteriet med oppvarmede gjenstander som loddebolt.
- Ikke slå med tunge gjenstander som en hammer, vekt. Ikke gå på batteriet og kast eller slipp batteriet for å unngå mekanisk støt. Ikke bruk alvorlig deformert batteri.
- Ikke demonter batteriet eller modifierer batteridesignet inkludert elektrisk krets.
- Ikke lodd direkte på batteriet og ikke bruk eller sett sammen gamle og nye batterier.

- Plasser aldri batteriet i en mikrobølgeovn, tørketrommel eller høytrykksbeholder.
- Ikke bruk eller sett sammen batteriet med andre produsenters batterier, forskjellige typer og/eller modeller av batterier som tørrbatterier, nikkel-metalhydrogenbatterier eller nikkel-kadmium-batterier.

Holdes veik fra brann umiddelbart når lekkasje eller vond lukt oppdages. I tilfelle væske lekker inn på huden eller klærne, må det vaskes godt med ferskvann umiddelbart. I tilfelle væske som lekker fra batteriet kommer inn i dine øyner, må du ikke gni øynene og vaske dem med rent vann og gå til lege umiddelbart. I tilfelle terminalene på batteriet blir skitne, tørk av med en tørr klut før batteriet brukes.

Dekk terminalene med skikkelig isolasjonstape før avhending.

Før batteriet brukes/installeres/fjernes eller laderen brukes, må du alltid lese brukerhåndboken og følge forholdsreglene for håndtering.

Bytt ut batteriet når brukstiden for batteriet blir mye kortere enn vanlig.

I tilfelle batteriet må lagres over en lengre periode, bør batteriet tas ut av applikasjonen og oppbevares på et sted med lav luftfuktighet og temperatur.

Mens batteriet lades, brukes og oppbevares, må det holdes borte fra gjenstandsmaterialer med statisk elektrisitet.

Kan ikke bruke ikke-oppladbart batteri som et erstatningsbatteri.

Batteriet må fjernes fra apparatet før det kasseres.

Apparatet må kobles fra strømmettet når batteriet tas ut.

Batteriet skal kastes på en sikker måte.

Batteriet må ikke brukes ved generering av statisk elektrisitet (mer enn 100V), batteribeskyttelseskreten vil skades.

Ikke ta ut batteriet. Å ta ut batteriet er komplisert og kan endre driften av maskinen. Du må kun kontakte det autoriserte servicesenteret for det.

Ikke oppbevar eller lad batteriet ved temperaturer utenfor de angitte grensene (sjekk håndboken). Punkter aldri batteriet. Se lokale lover og forskrifter om resirkulering og/eller avhending av batterier.

Et godt vedlikeholdt batteri kan yte godt selv etter mange kilometer. Lad batteriet etter hver tur og unngå å tømme batteriet helt.

ADVARSEL!

Holdes vekk fra brann umiddelbart når lekkasje eller vond lukt oppdages. I tilfelle væske lekker inn på huden eller klærne, må det vaskes godt med ferskvann umiddelbart. I tilfelle væske som lekker fra batteriet kommer inn i dine øyner, må du ikke gni øynene og vaske dem med rent vann og gå til lege umiddelbart. I tilfelle terminalene på batteriet blir skitne, tørk av med en tørr klut før batteriet brukes.

Dekk terminalene med skikkelig isolasjonstape før avhending.

Før batteriet brukes/installes/fjernes eller laderen brukes, må du alltid lese brukerhåndboken og følge forholdsreglene for håndtering.

Bytt ut batteriet når brukstiden for batteriet blir mye kortere enn vanlig.

I tilfelle batteriet må lagres over en lengre periode, bør batteriet tas ut av applikasjonen og oppbevares på et sted med lav luftfuktighet og temperatur.

Mens batteriet lades, brukes og oppbevares, må det holdes borte fra gjenstandsmaterialer med statisk elektrisitet.

Kan ikke bruke ikke-oppladbart batteri som et erstatningsbatteri.

Batteriet må fjernes fra apparatet før det kasseres.

Apparatet må kobles fra strømmettet når batteriet tas ut.

Batteriet skal kastes på en sikker måte.

Ikke forsøk å demontere batteriet. Ikke berør batterikontaktene. Ikke demonter eller punkter dekselet.

Hold batterikontaktene unna metallgjenstander for å kunne forhindre kortslutning. Fare for brann og elektrisk støt. Batteriet må aldri lades eller brukes hvis det er skadet eller det observeres spor av vann.

I tilfelle ulykke eller havari: ta kontakt med en autorisert reparatør i ditt land.

Brukeren må kontakte en autorisert eller spesialisert kundeservice.

X. Lading/Lade ut og oppbevar batteriet

Advarsel: følg alltid følgende.

Det må kun brukes original lader. Feil bruk kan føre til personskade og tap av eiendom. Garantien bærer ikke noe ansvar som skyldes bruk av en ikke-original lader.

Ikke lad i tilfelle batteriet er nær væske/brannkilder. Unngå alltid brennbare stoffer. Ikke la enheten være uten tilsyn under lading.

Ikke lad i tilfelle ladeporten eller ladekabelen er våt.

Batteriet må aldri lades eller brukes hvis det er skadet eller det observeres spor av vann.

Ladegrensesnittet har spesialspor. Ikke tving kontakten til å settes inn, da dette kan skade enheten.

Laderindikatoren er rød mens batteriet lades. Indikatoren er grønn når ladingen er fullført.

Fjern laderen i tilfelle indikatoren til laderen lyser grønt. Overlading eller overutlading vil føre til irreversibel skade på batteriet eller tap av eiendom. I tilfelle laderindikatoren ble grønn umiddelbart mens den lades etter en tur, må du koble fra laderen og la batteriet kjøle ned før lading. Dette kalles intelligent beskyttelse på grunn av den høye interne temperaturen til batteriet. Ladingen starter kun etter at batteriet er avkjølt.

Stopp ladingen og koble fra laderen i tilfelle batteriet ikke er fulladet etter følgende anbefalte tidsperiode. Kontakt kundeservice for mer informasjon. Ladeporten må dekkes av påsatt gummihette etter hver lading.

Vær alltid ekstra forsiktig ved håndtering av batteriet.

Slutt å bruke batteriet i tilfelle batteriet blir unormalt varmt, eller det oppdages lukt, misfarging, deformasjon eller andre unormale tilstander under bruk, lading eller lagring.

Batteriet kan brukes innenfor følgende temperaturområder. Ikke overskrid disse områdene.

Driftstemperatur: -10-60°C (batteriytelsen varierer etter temperatur)

Ladetemperatur: 10-45°C

Lagrings- og transporttemperatur: -10-45°C


Oppbevaringsfuktighet: 10-80%

XI. Bruksinformasjon

Produktnavn	Acer Elektrisk sparkesykkel ES i serie 5
Modell	AES015
Mål, utfoldet	118L x 49B x 125H (cm)
Mål, foldet	118L x 49B x 55H (cm)
Vekt inkl. batteri	18,5Kg
Motor	350W
Batteri	15Ah
Batteritype	litium-ionisk
Batteriprodusent	TIANHONG
Lade	42V/2,0A
Adapterprodusent: FUYUANDIAN, Modellnr.: FY-4202000	
Full ladetid	4 timer
Maksimal fart	20 km/t eller 25 km/t (avhenger av regulering i land)
Maksimal avstand uten lading	60Km
Regulering av fart	ja
Hastighetsmodus	3
Nivå på hastighetsmodus	0-6km/t; 0-10km/t; 0-20 eller 25km/t (avhenger av regulering i land)
Foldemekanisme	Ja
Hovedmateriale	dekk i aluminiumslegering, fremre rør av stål
Maksimal belastning	opp til 100 kg
Klarering	11cm
Høydejusterbart styre	nei
Bremser	elektronisk brems foran og skivebrems bak

Skjerm	LED-skjerm
Hjuldemper	Ja
Hjul	solid dekkhjul
Dekkmateriale	gummi
Drivenhet	Forhjulstrekk
Hjuldiameter	10"
Vannett	IPX4
Reflektorer	ja
Frontlykter	ja
Applikasjon	nei
Lydsignal	ja
Bakgrunnsbelysning	ja
Bluetooth	ja
Klatreevne	10°

XII. Andre

1. Produsentdato er indikert på produktetiketten
2.  Oppbevaring
Oppbevar produktet på et tørt, kjølig og trygt sted, unngå fuktighet og høye temperaturer. Fuktighet kan føre til skade på elektriske komponenter. Når litiumbatteriet svikter, kontakt ditt lokale gjenvinningsbyrå og kast litiumbatteriet ifølge nasjonale eller lokale lover og forskrifter.
 - Driftstemperatur: -10-60°C
 - Ladetemperatur: 10-45°C
 - Lagrings- og transporttemperatur: -10-45°C
 - Oppbevaringsfuktighet: 10-80%
3. Produktet må ikke kastes sammen med annet husholdningsavfall. Resirkuler den for å minimere miljøforurensning ifølge lokale forskrifter eller kontakt ditt lokale bykontor, husholdningsavfallstjenester.
4. 1) Enheter var ikke utviklet for bruk i høyder over 2000 meter over havet.
2) Langvarig eksponering for UV-stråler, regn og elementer kan skade materialet. Produktet må oppbevares innendørs når det ikke brukes.
3) ADVARSEL - Risiko for brann - Deler må aldri repareres av brukeren.



Acer Incorporated
8F, 88, Sec. 1, Xintai 5th Rd., Xizhi
New Taipei City 221, Taiwan

EU-samsvarserklæring

Vi,

Acer Incorporated
8F, 88, Sec. 1, Xintai 5th Rd., Xizhi, New Taipei City 221, Taiwan

Og,

Acer Italy s.r.l.
Viale delle Industrie 1/A, 20044 Arese (MI), Italia
Tlf: +39-02-939-921, Faks: +39-02 9399-2913
www.acer.it

Produkt: Acer Elektrisk sparkesykkel ES i serie 5
Handelsnavn: acer
Modellnummer: AES015
SKU-nummer: AES015 *****
(***)=0-9, a-z, A-Z, eller Blank)

Vi, Acer Incorporated, erklærer under vårt eneansvar at produktet som er beskrevet ovenfor er i samsvar med relevant unionsharmoniseringslovgivning: Maskindirektiv 2006/42/EF og RoHS-direktiv 2011/65/EU. Følgende harmoniserte standarder og/eller andre relevante standarder er brukt:

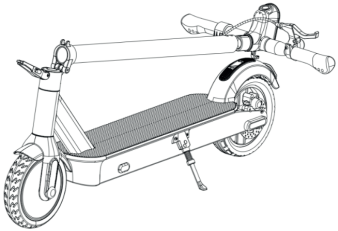




<u>EN 17128:2020</u>	<u>EN 301 489-17 V3.2.4</u>
<u>EN 300 328 V2.2.2</u>	<u>EN 62479:2010</u>
<u>EN 301 489-1 V2.2.3</u>	<u>EN IEC 63000:2018</u>

Ar for påføring av CE-merking: 2022.

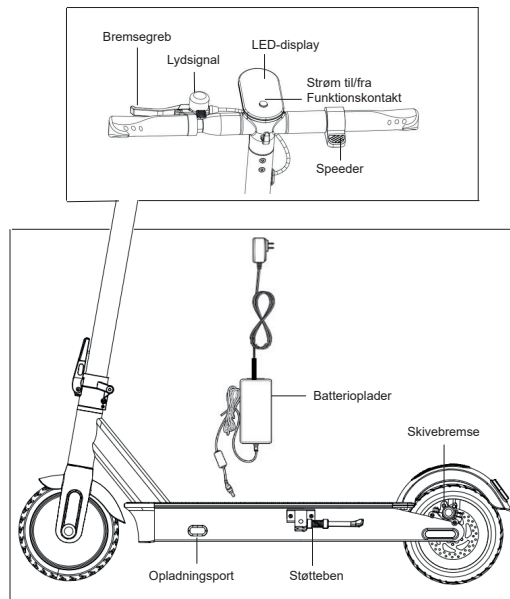
RU Jan / Sr. Manager
Acer Incorporated (Taipei, Taiwan)

16.05.2022
Dato

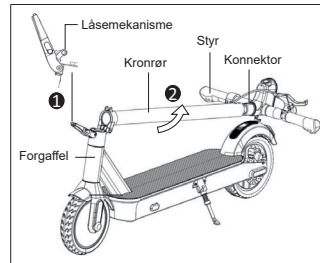
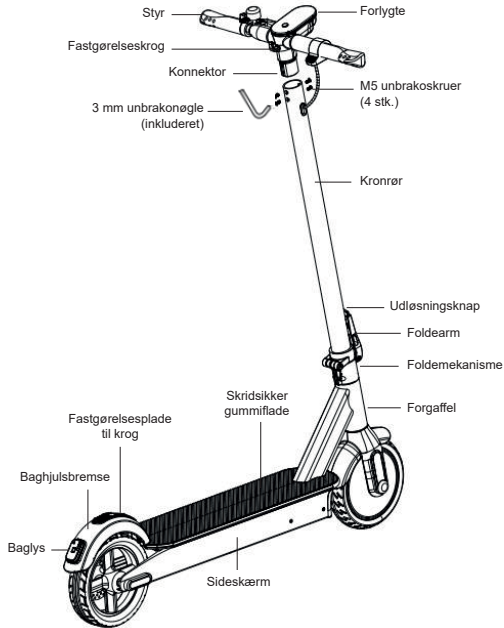
I. Pakkens indhold

El-højbehjul *1	
3 mm unbrakonøgle *1	
Brugervejledning *1	
Batterioplader *1	
M5*14L forsænkede skruer, *4 stk.	

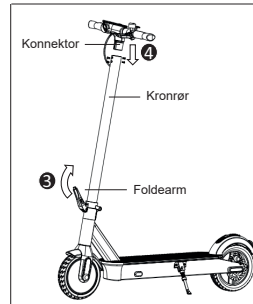
II. Dele



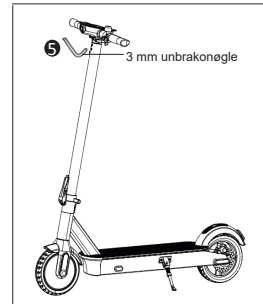
III. Samling



- 1 Åbn foldearmen helt for at blottlægge låsemekanismen.
- 2 Løft kronrøret sammen med konnektor og styr, så det sidder fluks med forgafflen.



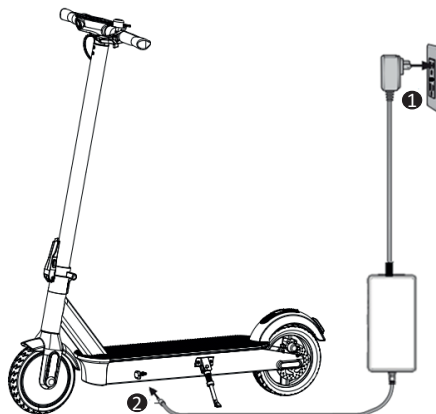
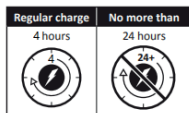
- 3 Lås foldearmen
- 4 Sæt konnektoren i kronrøret.



- 5 Spænd alle 4 unbrakoskruer på kronrøret med den medfølgende 3 mm unbrakonøgle.

IV. Oplad batteriet

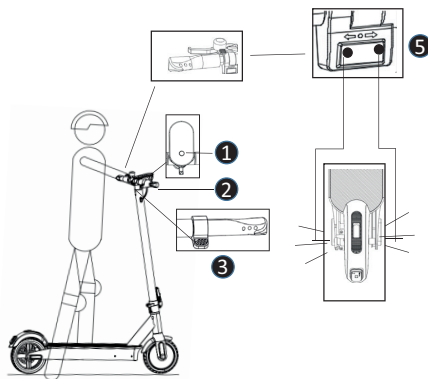
Bemærk: Opladerens lys er **rødt** under opladning, og skifter til **grønt** når opladningen er færdig.



V. SÅDAN BRUGES LØBEHJULET

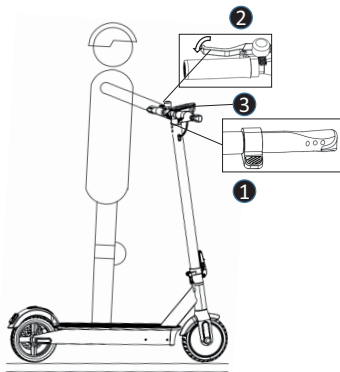
Sådan startes løbehjulet

1. Tryk og hold ned på afbryderknappen i 3 sekunder for at tænde for løbehjulet.
Tryk på afbryderknappen én gang et kort øjeblik for at tænde/slukke for lyset.
2. Tryk på afbryderknappen kontinuerligt to gange for at skifte hastighed.
Tryk på afbryderknappen 3 gange for at skifte mellem km/t og mil/t.
3. Tag godt fast i styret med hænderne.
4. Træd op på brættet med en fod, sæt af med den anden fod for at hjælpe med at 'komme i gang', og tryk forsigtigt på speederarmen.
5. Efter start skal begge fødder være på brættet.



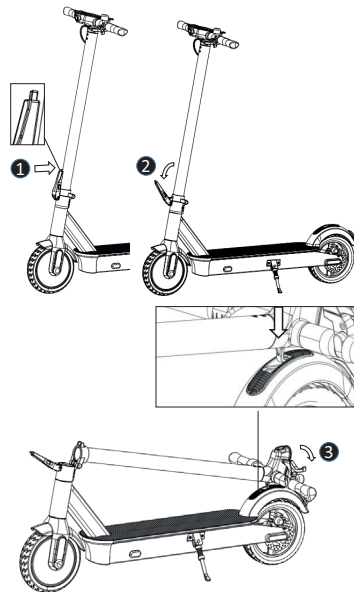
Sådan stoppes løbehjulet

1. Slip speederarmen.
2. Brems ved at trække bremsegrebet.
3. Sluk på afbryderknappen når løbehjulet ikke er i brug.



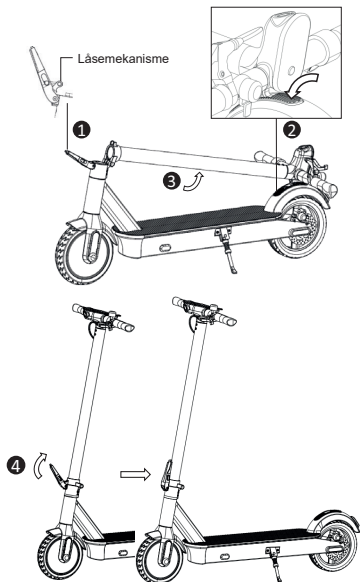
Foldning af løbehjulet

1. Tryk ned på udløsningsknappen.
2. Oplås foldearmen.
3. Fold kronrøret ned og lås fastgørelseskrogen til fastgørelsespladen på baghjulsbremsen.



Udfoldning af løbehjulet

1. Åbn foldearmen helt for at blottlægge låsemekanismen.
2. Tryk ned på fastgørelsespladen til krogen for at udløse fastgørelseskroen.
3. Løft kronrøret.
4. Lås foldearmen.



VI. Fejlfinding

Introduktion til og afhjælpning af fejlkoder

Fejlkode	Introduktion	Afhjælpning
0E	Lavt batteriniveau	Oplad batteriet helt
1E	Overopladning af batteriet	Frakobl opladeren. Kontakt et autoriseret servicecenter hvis fejlkoden stadig vises.
2E	Fejl i controller	Kontakt et autoriseret servicecenter.
3E	For høj temperatur på controller, start beskyttelsesprogrammet	Vent, før du bruger løbehjulet igen. Vent, indtil temperaturen falder og prøv igen.
4E	Signalledningen kan være løs eller være faldet af	Kontakt et autoriseret servicecenter.
5E	Løs forbindelse mellem motor og controller	Kontakt et autoriseret servicecenter.
6E	Fejl i speeder	Kontakt et autoriseret servicecenter.
7E	Fejl i bremsesystem	Kontakt et autoriseret servicecenter.
8E	Overstrøm. Start beskyttelsesprogrammet	Stop løbehjulet og start igen på et senere tidspunkt. Kontakt et autoriseret servicecenter hvis fejlkoden stadig vises.

Introduktion til og afhjælpning af fejlkoder

9E	Blokeret rotor i motor	Stop løbehjulet og start igen på et senere tidspunkt. Kontakt et autoriseret servicecenter hvis fejlkoden stadig vises.
----	------------------------	-------------------------------------------------------------------------------------------------------------------------

Batteriet kan ikke oplades

Afhjælpningstrin:

1. Stikket er ikke isat korrekt.
2. Opladeren er beskadiget. Brug en ny oplader.
3. Batteriets ledninger/stik er løse. Fastgør ledningerne/stikkene.

Kører kun en kort distance efter opladning

Afhjælpningstrin:

1. Utilstrækkelig opladning. Oplad batteriet helt.
2. Op ad bakke og stærk modvind, tungt læs, dårlig vejoverflade og lave temperaturer.
3. Ledningerne og deres stik mellem batteriet og opladningsporten er løse. Tilslut/fastgør igen.

Hastigheden er for lav

Afhjælpningstrin:

1. Batteriets spænding er for lav. Oplad batteriet helt.

Bremser fungerer ikke

Afhjælpningstrin:

1. Bremsekablet er for langt. Spænd bremsekablet.
2. Hvis bremseklodserne er beskadigede skal de udskiftes.

Bemærk: Hvis der opstår en fejl skal du kontakte et autoriseret servicecenter. Forsøg ikke at reparere eller ændre på løbehjulet. Det kan forårsage garantibegrænsninger og personskader.

VII. KØRSEL OG SIKKERHED

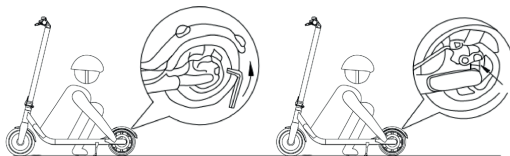
Det er nødvendigt at lære at køre først før du kan bruge udstyret. Hvis du ikke lærer det først, kan det føre til personskader. Brug beskyttelsesudstyr for at undgå skade. Når du har udført disse trin, kan du tænke for el-løbehjulet:



JUSTERING AF BREMSE

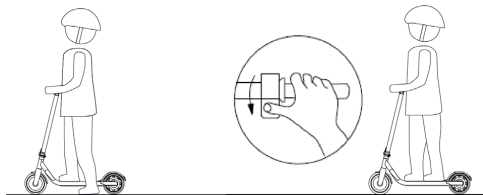
Kontroller bremserne inden hver kørsel. Hvis bremsen er for stram, kan du bruge en unbrakonøgle og løsne skruerne - mod uret - på skivens bremseklods. Flyt bremsekablet for at forkorte det en smule og spænd skruerne på bremseklodsen igen. Hvis bremsen er for løs, kan du bruge en unbrakonøgle og løsne skruerne på skivens bremseklods. Flyt bremsekablet for at forlænge det en smule og spænd skruerne på bremseklodsen igen.

ADVARSEL! Hvis du bremser hårdt, er der fare for alvorlig personskade pga. tab af traktion og fald. Køør med en jævn hastighed, ikke for hurtigt, og hold øje med eventuelle farer.



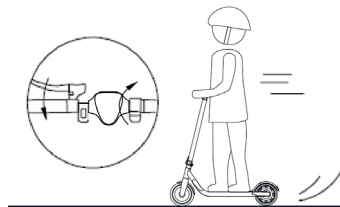
SÅDAN BRUGES LØBEHJULET

Sæt en fod på brættet og en fod på jorden. Nyd det med en fod på brættet mens du afsætter med den anden fod. Når hastigheden når 3 km/t kan du starte accelerationen. Husk at have begge fødder på brættet når du accelererer og acclerer efter forholdene, eller vedligehold en ønsket hastighed. Disse forholdsregler er for din sikkerhed.

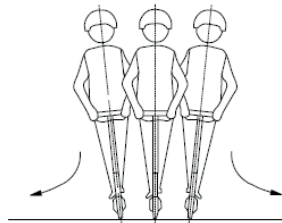


KONSTANT HASTIGHED

Hvis du holder ned på speederen er hastigheden ensartet, og kørslen vil være mere behagelig. Du kan annullere dette ved at trække i bremsegrebet.

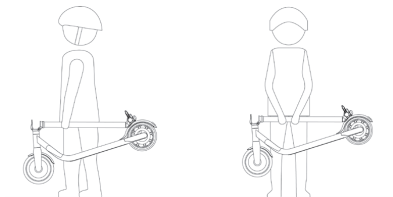


Oprethold en god balance, også i sving:



FOLDNING OG TRANSPORT

Når el-løbbehjulet er foldet, kan den transporteres i kronrører, som vist i illustrationen:



⚠ Advarsel: Hvis disse vejledninger ikke følges kan det føre til alvorlig personskade.

- Kør IKKE el-løbbehjulet i regnvejr.
- Må IKKE blive våd.
Pas på hovedet når du kører gennem dørkarme.
Hold en hastighed på 5-10 km/t (3,1-6,2 mil/t) når du kører over fartbumper, fodlister i elevatorer, på ujævne veje eller andre ujævne overflader. Bøj let i knæene, så det er nemmere at justere balance i ovennævnte situationer.
- Sæt IKKE en fod på bagskærmen.
- Tryk IKKE på speederen når du går med el-løbbehjulet.
Undgå, at dæk/hjul får kontakt med forhindringer.
- Bær IKKE tunge genstande på styret.
- Kør IKKE el-løbbehjulet med kun én fod.
- Kør IKKE på offentlige veje, motorveje eller hovedveje.
- Drej IKKE styret pludseligt mens du kører med høj hastighed.
- Kør IKKE op og ned af trapper og spring ikke over forhindringer med løbbehjulet.
- Tag IKKE hænderne af styret mens du kører. Kør ikke med kun én hånd.
- Kør IKKE gennem vandpytter eller andre forhindringer med vand. Det skal sænke hastigheden og køre omkring forhindringen.
- Kør IKKE med passagerer. El-løbbehjulet er kun for én person.
- Kør IKKE med et barn.
- Kør IKKE hvis du er gravid.
- Brug IKKE mobiltelefonen og brug ikke øretelefoner mens du bruger el-løbbehjulet.
- Rør IKKE ved motorens indkapsling efter du har kørt, da den kan være varm.
- Hold altid begge hænder på styret, da du ellers kan risikere alvorlig personskade p.g. tab af balancen og medførende fald.
- Må kun bruges i tørt vejr.
- Vi anbefaler, at det ikke bruges på offentlige veje.
- Drej aldrig pludseligt når du kører hurtigt.
- Start og stop ikke pludseligt.
- Kontroller, at el-løbbehjulets hastighed er sikker for dig og andre, og vær altid parat til at stoppe under kørsel.
- Når du kører på el-løbbehjulet skal du opretholde en sikker afstand fra andre for at undgå sammenstød.
- Når du drejer skal du bruge din krops tyngdepunkt. En pludselig ændring i tyngdepunktet kan forårsage skade.
- Kontroller lejerne regelmæssigt for fugt og urenheder. Tør og rens lejerne. Om nødvendigt skal lejerne smøres efter rensning. Brug kun et egnet smøremiddel. Kontroller også styrepositionen for at sikre, at produktet er sikkert.
- Der må ikke udføres ændringer på produktet ud over hvad der anbefales af producenten.
- Selvlåsende møtrikker eller selvlåsende fastgørelsesmekanismer kan tabe deres effektivitet.
- Undgå at køre på stejle hældninger.

VIII. RENGØRING OG VEDLIGEHOOLDELSE

Dette el-løbøjul kan bruges som et transportmiddel, og kræver derfor vedligeholdelse af alle dets dele, der måtte være udsat for slidage, og som ikke er dækket af garantien.

RENGØRING

Kontroller, at el-løbøjulet er SLUKKET, opladningskablet er frakoblet og gummidækslet til opladeporten sidder godt til inden rengøring. Ellers kan det beskadige de elektroniske dele. Frakobl altid først produktet fra opladeren, tildæk opladerstikket med det vandtætte dæksel, sluk for produktet og undgå at der kommer vand på batteri, motor og andre elektroniske dele under rengøringen for at undgå uforudsete farer. Brug ikke vand-jetstråler til at rengøre produktet, og nedsænk det ikke i vand.

Brug en fugtig klud til at rengøre løbøjulet. Hvis det er nødvendigt at skrabe snavs af, skal du bruge en blød børste og derefter en fugtig klud.

Husk at tildække opladeporten for at undgå problemer med de elektroniske dele.

Brug ikke alkohol, benzin, petroleum eller andre flygtige eller ætsende kemiske væsker. Det kan beskadige både udseendet og den interne struktur af løbøjulet. Brug ikke en vandpistol med tryk eller løbende vand.

OPBEVARING

Opbevar el-løbøjulet et køligt, tørt sted når det ikke er i brug. Opbevar det ikke udendørs, da det ikke er fremstillet til brug i våde omgivelser, nær ætsende midler som f.eks. saltvand, havne osv. Det anbefales også, at det ikke udsættes for høje temperaturer, forårsaget af direkte sollys, i længere tid.

IX. HÅNDTERING AF BATTERI OG HVAD DER IKKE ER TILLADT

Brug ikke andre modeller eller mærker af batterier. Brug kun det originale batteri.

Anbring ikke batteriet i omgivelser med en temperatur over 50°C eller under -20°C (anbring f.eks. ikke løbøjulet i en bils bagagerum om sommeren), og anbring ikke batteriet nær åben ild. Det kan forårsage batterisvigt, overophedning og risiko for brand.

Undgå fuldstændig afladning af batterierne. Det er bedre at oplade dem mens de stadig har strøm. Det vil forlænge batteriets levetid. Hvis du kører løbøjulet i meget kolde eller meget varme områder, kan det sænke brugstiden for batterierne. Dette er ikke en fejl i batterierne. Det er helt normalt.

Hvis det ikke skal bruges i mere end 30 dage, skal det oplades helt og opbevares i et køligt, tørt sted og oplades helt hver 60. dage. Manglende overholdelse af disse trin kan beskadige batteriet, og denne beskadigelse er ikke dækket af garantien.

Det er ikke tilladt af adskille batteriet. Ændringer er kun tilladt af teknisk service og autoriserede værksteder.

Brug kun den originale oplader til opladning, da der ellers er risiko for beskadigelse eller brand.

Bortskaffelse af brugte batterier kan forårsage alvorlig miljøskaade. Overhold lokal lovgivning ved bortskaffelse af batteripakken.

Oplad batteriet efter hver brug. Det forlænger batteriets levetid.



FARE!

Battericeller indeholder brandbare og farlige stoffer. Forkert håndtering kan forårsage brand, røg, eksplosion og alvorlig personskade eller tab af ejendom. Du skal altid læse og efterfølge følgende oplysninger om forbudte handlinger: Brug korrekt beskyttende udstyr inden der udføres batterirelaterede handlinger.

Hold batteriet væk fra småbørn og børn for at undgå ulykker. Hvis små børn bruger batteriet skal deres forældre/værger forklare, hvad der er korrekt håndtering og advare dem inden brug, og altid sikre integriteten af batteriet.

Brug kun den dedikerede oplader og oplad kun batteriet på den måde, der er beskrevet i dette dokument. Oplad ikke batteriet direkte fra en stikkontakt eller en cigarettænder i en bil. Oplad ikke batteriet uden det er under opsyn.

- Under opladning skal plus gå til plus og minus til minus.
- Efterlad ikke batteriet når ild eller en varmekilde, og kast ikke batteriet ind i ild.
- Oplad og brug ikke batteriet i en bil eller lignende, hvor den indvendige temperatur kan være over 50°C.
- Batteriet må ikke nedsænkes i, smides i eller gøres fugtigt med vand/saltvand og lignende.
- Batteriet må ikke kortsluttes, og du må ikke forbinde den (+) positive og (-) negative terminal med genstande af metal. Opbevar ikke batteriet en lomme eller en pose/taske sammen med genstande af metal, som f.eks. nøgler, halssmykker, hårnåle, mønter eller skruer.
- Gennemhul ikke batteriet med et skarp genstand som f.eks. en nål eller en skruetrækker.
- Opvarm ikke en del af batteriet med varme genstande som f.eks. et loddejern.

- Slå ikke på batteriet med tunge genstande som f.eks. en hammer eller en vægt. Træd ikke på batteriet og kast eller tab ikke batteriet, for at undgå mekanisk chok. Brug ikke et beskadiget batteri.
- Adskil ikke batteriet og ændre ikke batteriets design, herunder det elektriske kredsløb.
- Du må ikke lodde direkte på batteriet, og du må ikke bruge både nye og gamle batterier sammen.
- Læg ikke batteriet i en mikrobølgeovn, tørretumbler eller en beholder med overtryk.
- Brug ikke batteriet sammen med andre mærkers batterier, forskellige typer og/eller modeller batterier som f.eks. zink-carbonbatterier, nikkel-hydrogen-batterier eller Nikkel-Cadmium (NiCd)-batterier.

Hold væk fra ild. I særdeleshed hvis der detekteres lækage eller dårlig lugt. Hvis der lækker væske på din hud eller beklædning, skal du straks vaske grundigt med vand. Hvis du får lækkende væske fra batteriet i øjnene, må du ikke gnide i øjnene, men du skal straks skylle dem med rent vand og søge lægehjælp. Hvis batteriets terminaler bliver snavsede, skal du aftørre dem med en tør klud inden du bruger batteriet.

Dæk terminalerne med isolerende tape inden bortskaffelse.

Inden du bruger/installerer/fjerner batteriet eller bruger opladeren, skal du altid læse brugervejledningen og efterfølge advarslerne omkring håndtering.

Udskift batteriet når batteriets brugstid er blevet væsentligt forkortet.

Hvis batteriet skal opbevares i længere tid, skal batteriet fjernes fra produktet og gemmes et sted med lav fugtighed og temperatur.

Når batteriet ikke længere er nyt, men opladt og i opbevaring, skal genstande, der udsender statisk elektricitet, holdes væk fra batteriet.

Må ikke udskiftes med et batteri, der ikke er genopladeligt.

Batteriet skal fjernes fra produktet inden det bortskaffes.

Produktet skal frakobles fra lysnettet mens batteriet fjernes.

Batteriet skal opbevares på sikker vis.

Batteriet må ikke anvendes hvis der genereres statisk elektricitet (mere end 100 V). Det vil beskadige batteriets beskyttelseskredsløb.

Fjern ikke batteriet. Der er ikke let at fjerne batteriet, og det kan ændre produktets funktion. Du skal kontakte et autoriseret servicecenter ved problemer med batteriet.

Opbevar og oplad ikke batteriet ved temperaturer, der ligger uden for de nævnte intervaller (se denne vejledning for oplysninger). Punktér ikke batteriet. Der henvises til den lokale lovgivning og de lokale regler angående genbrug og/eller bortskaffelse af batteriet.

Et godt vedligeholdt batteri har en god ydeevne selv efter mange kilometers kørsel. Oplad batteriet efter hver kørsel og undgå at aflade batteriet helt.



ADVARSEL!

Hold væk fra ild. I særdeleshed hvis der detekteres lækage eller dårlig lugt. Hvis der lækker væske på din hud eller beklædning, skal du straks vaske grundigt med vand. Hvis du får lækkende væske fra batteriet i øjnene, må du ikke gnide i øjnene, men du skal straks skylle dem med rent vand og søge lægehjælp. Hvis batteriets terminaler bliver snavsede, skal du aftørre dem med en tør klud inden du bruger batteriet.

Dæk terminalerne med isolerende tape inden bortskaffelse.

Inden du bruger/installerer/fjerner batteriet eller bruger opladeren, skal du altid læse brugervejledningen og efterfølge advarslerne omkring håndtering.

Udskift batteriet når batteriets brugstid er blevet væsentligt forkortet.

Hvis batteriet skal opbevares i længere tid, skal batteriet fjernes fra produktet og gemmes et sted med lav fugtighed og temperatur.

Når batteriet ikke længere er nyt, men opladt og i opbevaring, skal genstande, der udsender statisk elektricitet, holdes væk fra batteriet.

Må ikke udskiftes med et batteri, der ikke er genopladeligt.

Batteriet skal fjernes fra produktet inden det bortskaffes.

Produktet skal frakobles fra lysnettet mens batteriet fjernes.

Batteriet skal opbevares på sikker vis.

Forsøg ikke at adskille batteriet. Rør ikke ved batteriets terminaler. Adskil og punktér ikke den udvendige flade.

Hold batteriets terminaler væk fra metalgenstande for at undgå kortslutning. Risiko for brand og elektrisk chok. Du må ikke oplade eller bruge batteriet hvis det er beskadiget, eller der er synlige tegn på vand.

Hvis der sker en ulykke eller produktet ikke fungerer, skal du kontakte et autoriseret værksted i dit land.

Brugeren skal kontakte en autoriseret eller en specialiseret kundeservice.

X. Opladning/afladning og opbevaring af batteriet

Advarsel: Overhold altid følgende meddelelse.

Brug kun den originale oplader. Forkert oplader kan forårsage personskade og tab af ejendom. Garantien gælder ikke ved brug af en oplader, der ikke er original.

Oplad ikke nær væske/brandkilder. Undgå altid brandbare stoffer. Produktet må ikke oplades uden opsyn.

Oplad ikke hvis opladningsporten eller opladningskablet er vådt.

Du må ikke oplade eller bruge batteriet hvis det er beskadiget, eller der er synlige tegn på vand.

Opladningsinterfacet har en speciel port. Tving ikke konnektoren ind i porten, hvilket kan beskadige produktet.

Opladerens indikator er rød når batteriet oplades. Indikatoren er grøn når opladningen er fuldført.

Fjern opladeren. Når opladerens indikator er grøn. Overopladning eller for stor afladning kan forårsage uoprettelig beskadigelse af batteriet eller tab af ejendom. Hvis opladerens indikator skifter til grønt straks efter start af opladning efter kørsel, skal du frakoble opladeren og lade batteriet nedkøle inden du forsøger at oplade igen. Dette er normal funktion hvis batteriets interne temperatur er høj. Opladning kan starte efter batteriet nedkøles.

Stop opladning og frakobl opladeren, hvis batteriet ikke er helt opladt efter den følgende, anbefalede periode. Kontakt kundeservice for yderligere oplysninger.

Opladningssporten skal dækkes med det medfølgende gummidæksel efter hver opladning.

Vær altid ekstra forsigtig under håndtering af batteriet.

Stop brugen af batteriet hvis det bliver unormalt varmt, lugter, er misfarvet, deformt eller under andre unormale forhold under brug, opladning eller opbevaring.

Batteriet kan bruges inden for følgende temperaturintervaller. Overskrid ikke disse intervaller.

Driftstemperatur: -10-60°C (batteriets ydeevne varierer efter temperatur)

Opladningstemperatur: 10-45°C

Temperatur for opbevaring og transport: -10-45°C

Fugtighed ved opbevaring: 10-80%

XI. Specifikationer

Produktnavn	Acer Electric Scooter ES Series 5
Model	AES015
Dimensioner, udfoldet	118 L x 49 B x 125 H (cm)
Dimensioner, foldet	118 L x 49 B x 55 H (cm)
Vægt inklusiv batteri	18,5 kg
Motor	350 W
Batteri	15 Ah
Batteritype	Lithium-ion
Batteriets producent	TIANHONG
Opladning	42 V/2,0 A
Adapters producent: FUYUANDIAN, model nr.: FY-4202000	
Fuld opladningstid	4 timer
Maks. hastighed	20 km/t eller 25 km/t (afhænger af lovgivningen i dit land)
Maks. distance med opladt batteri	60 km
Justering af hastighed	Ja
Hastighedstilstande	3
Niveauer for hastighedstilstande	0-6 km/t; 0-10 km/t; 0-20 eller 25 km/t (afhænger af lovgivningen i dit land)
Foldemekanisme	Ja
Hovedmateriale	Bræt af aluminiumlegering, kronrør af stål
Maks. belastning	Op til 100 kg
Frigang	11cm
Højdejusterbart styr	Nej
Bremser	Elektronisk forbremse og skivebremse bagtil

Skærm	LED-display
Støddæmper	Ja
Hjul	Punkterfri dæk
Dækmateriale	Gummi
Drivenhed	Forhjulstræk
Hjuldiameter	10"
Vandtæt	IPX4
Reflekser	Ja
Forlygte	Ja
Applikation	Nej
Lydsignal	Ja
Baggrundslys	Ja
Bluetooth	Ja
Maks. stigning	10°

XII. Andre

1. Produktionsdato på produktetiket

2.  Lager

Opbevar produktet et tørt, køligt og sikkert sted. Undgå fugt og høje temperaturer. Fugtighed kan forårsage beskadigelse i de elektriske dele. Når lithium batteriet svigter, skal du kontakte det lokale genbrugscenter for bortskaffelse af lithium batteriet. Det skal bortskaffes i overensstemmelse med regler og lovgivning i dit land.

- Driftstemperatur: -10-60°C
- Opladningstemperatur: 10-45°C
- Temperatur for opbevaring og transport: -10-45°C
- Fugtighed ved opbevaring: 10-80%

3. Produktet må ikke bortskaffes med affald fra husholdningen. Genbrug venligst for at reducere miljøskade, i overensstemmelse med lokale regler og lovgivning, eller kontakt kommunen eller affaldsselskabet.

4. 1) Enheder er ikke beregnet til brug i højder over 2000 m over havet.

2) Forlænget udsættelse for UV-stråler, regn og naturens elementer kan beskadige skærm materialet. Opbevar indendørs når enheden ikke er i brug.

3) ADVARSEL - Risiko for brand - MEDDELELSE om, at ingen dele må serviceres af brugeren.

EU overholdelseserklæring

Vi,

Acer Incorporated

8F, 88, Sec. 1, Xintai 5th Rd., Xizhi, New Taipei City 221, Taiwan

Og,

Acer Italy s.r.l.

Viale delle Industrie 1/A, 20044 Arese (MI), Italien

Tlf.: +39-02-939-921, fax: +39-02 9399-2913

www.acer.it

Produkt: Acer Electric Scooter ES Series 5

Handelsnavn: acer

Modelnummer: AES015

SKU-nummer: AES015 *****

("*" = "0-9", "a-z", "A-Z", eller tom)

Vi, Acer Incorporated, erklærer hermed, under eget ansvar, at produktet, beskrevet ovenfor, er i overensstemmelse med den relevante harmonisering af Unionens lovgivning: Maskindirektivet 2006/42/EC og RoHS-direktivet 2011/65/EU. Følgende harmoniserede standarder og/eller andre relevante standarder er anvendt:

EN 17128:2020

EN 300 328 V2.2.2

EN 301 489-1 V2.2.3

EN 301 489-17 V3.2.4

EN 62479:2010

EN IEC 63000:2018

Ar, hvor påsætning af CE-mærkning påbegyndes: 2022.



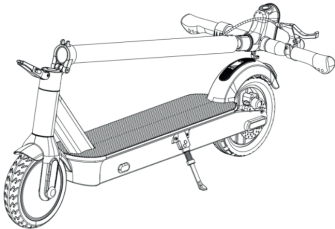




RU Jan / Sr. Manager

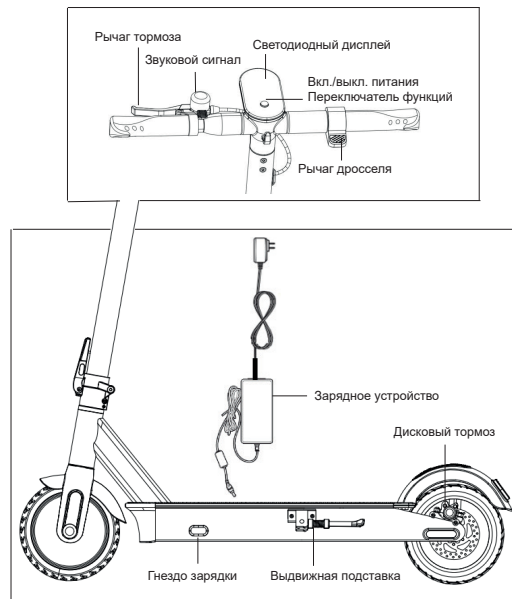
Acer Incorporated (Taipei, Taiwan)

5/16/2022

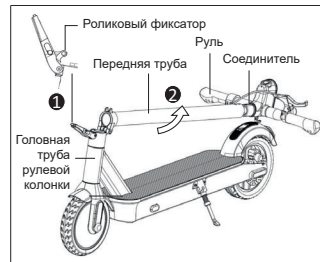
Date

I. Состав комплекта поставки II. Детали

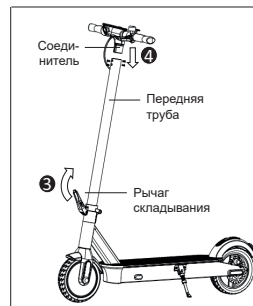
Самокат *1	
3-мм шестигранный ключ *1	
Руководство пользователя *1	
Зарядное устройство *1	
Винт с потайной головкой M5*14L - 4 шт.	



III. Сборка



- 1 Полностью отведите наружу рычаг складывания, чтобы получить доступ к роликовому фиксатору.
- 2 Поднимите переднюю трубу вместе с соединителем и рулем до уровня головной трубы рулевой колонки.



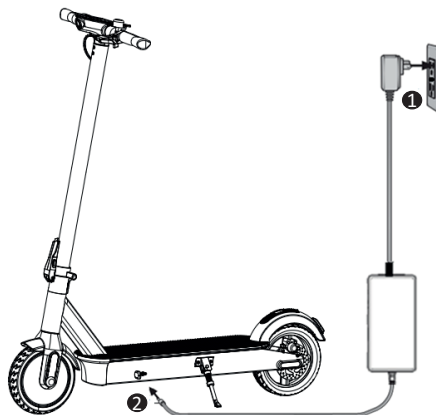
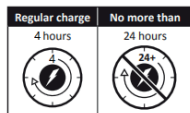
- 3 Зафиксируйте рычаг складывания.
- 4 Вставьте соединитель в переднюю трубу.



- 5 С помощью прилагаемого 3-мм шестигранного ключа затяните все 4 винта с шестигранной головкой на передней трубе.

IV. Зарядите аккумулятор

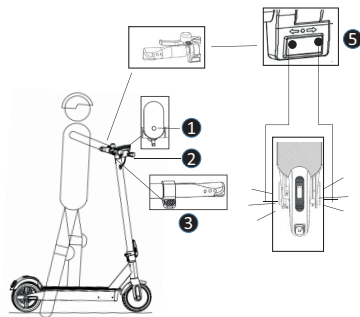
Примечание: Во время зарядки индикатор зарядного устройства горит **красным**, а по завершении зарядки загорается **зеленым**.



V. ИСПОЛЬЗОВАНИЕ

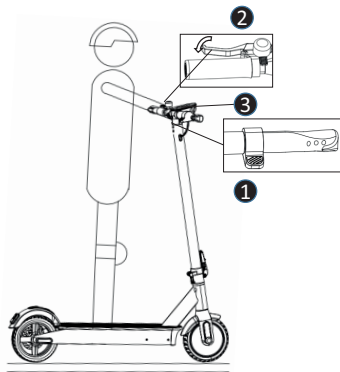
Запуск самоката

1. Для включения самоката нажмите и 3 секунды и удерживайте кнопку питания.
Кратковременно нажмите кнопку питания один раз, чтобы включить/выключить свет.
Дважды длительно нажмите кнопку питания для переключения режимов скорости.
Нажмите кнопку питания длительно 3 раза для переключения индикации между км/ч и милями/ч.
2. Крепко держите руль обеими руками.
3. Станьте на деку (площадку для ног) одной ногой, а другой ногой оттолкнитесь от земли, чтобы набрать скорость, и плавно нажмите рычаг дросселя.
4. После того, как начнете езду, станьте обеими ногами на деку.
5. Указатель поворота (необязательно).



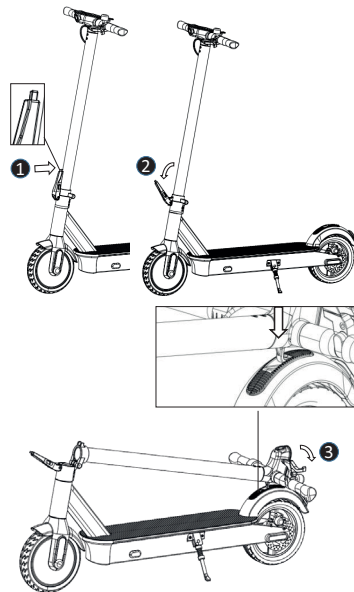
Остановка самоката

1. Отпустите рычаг дросселя.
2. Затормозите, нажав рычаг переднего ручного тормоза.
3. Отпустите кнопку питания, когда она не используется.



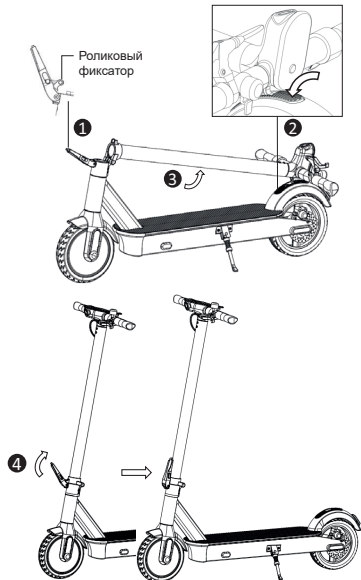
Складывание самоката

1. Нажмите вниз кнопку блокировки.
2. Разблокируйте рычаг складывания.
3. Откиньте назад переднюю трубу и защелкните запорный крючок на фиксирующей пластине тормоза заднего колеса.



Раскладывание самоката

1. Полностью отведите наружу рычаг складывания, чтобы получить доступ к роликовому фиксатору.
2. Нажмите вниз фиксирующую пластину крючка, чтобы освободить запорный крючок.
3. Поднимите переднюю трубу.
4. Зафиксируйте рычаг складывания.



VI. Способ устранения неполадок

Описание кода неисправности и способы устранения

Код неисправности	Описание	Способ устранения
0E	Низкий уровень заряда	Полностью зарядите аккумулятор
1E	Чрезмерная зарядка аккумулятора	Отсоедините зарядное устройство. Обратитесь в авторизованный сервисный центр, если неисправность с этим кодом сохранится.
2E	Неисправность контроллера	Обратитесь в авторизованный сервисный центр.
3E	Перегрев контроллера, запустите программу защиты	Пока не используйте самокат. Подождите, пока температура не понизится, и повторите попытку.
4E	Возможно, ослаблена или разорвана сигнальная линия	Обратитесь в авторизованный сервисный центр.
5E	Плохое соединение между двигателем и контроллером	Обратитесь в авторизованный сервисный центр.

Описание кода неисправности и способы устранения		
6E	Неисправность дросселя	Обратитесь в авторизованный сервисный центр.
7E	Неисправность тормозной системы	Обратитесь в авторизованный сервисный центр.
8E	Перегрузка по току, запустите программу защиты	Остановите самокат и снова запустите его позже. Обратитесь в авторизованный сервисный центр, если неисправность с этим кодом сохранится.
9E	Заблокирован ротор двигателя	Остановите самокат и снова запустите его позже. Обратитесь в авторизованный сервисный центр, если неисправность с этим кодом сохранится.

Аккумулятор не заряжается

Способ устранения:

1. Неправильно вставлен штекер.
2. Зарядное устройство повреждено, используйте новое зарядное устройство.
3. Провода аккумулятора слабо зажаты, проверьте и надежно подключите их к клеммам.

Недостаточная дальность поездки после зарядки

Способ устранения:

1. Недостаточный уровень заряда аккумулятора, полностью зарядите его.
2. Езда в гору или при сильном встречном ветре, тяжелая нагрузка, плохое дорожное покрытие и низкая температура.
3. Ослабло крепление проводов, подключенных между аккумулятором и гнездом зарядки, проверьте и надежно подключите их к клеммам.

Слишком низкая скорость

Способ устранения:

1. Аккумулятор почти разряжен, полностью зарядите аккумулятор.

Тормоз не работает

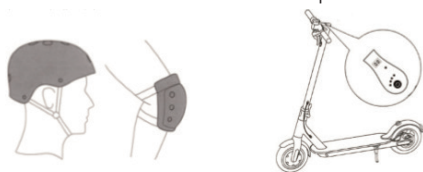
Способ устранения:

1. Тормозной трос провис, затяните тормозной трос.
2. Если тормозная колодка повреждена, то замените ее на оригинальную.

Примечание: Обнаружив неисправность, обратитесь в авторизованный сервисный центр. Не ремонтируйте и не изменяйте конструкцию самоката самостоятельно, так как это может ограничить гарантию и привести к травмам.

VII. ЕЗДА И БЕЗОПАСНОСТЬ

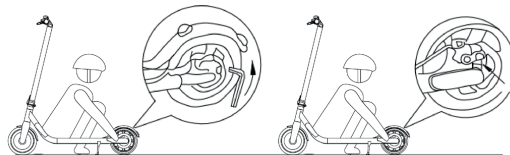
Для использования этого устройства нужно сначала пройти обучение. Езда без надлежащей тренировки может привести к травмам. Используйте средства защиты, чтобы избежать травм. После выполнения этих шагов можно включить электросамокат:



РЕГУЛИРОВКА ТОРМОЗОВ

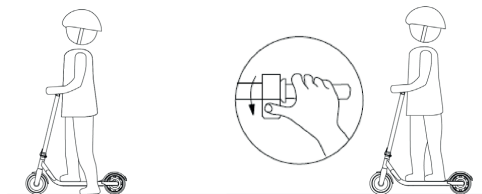
Перед каждой поездкой проверяйте тормоза. Если чувствуете, что тормоз слишком тугой, то вращением шестигранного ключа против часовой стрелки ослабьте винты на прижимной пластине дискового тормоза, отпустите тормозной контур, чтобы сделать немного короче открытый участок, и затяните винты прижимной пластины. Если чувствуете, что тормоз слишком ослаблен, то отверните винты на прижимной пластине, потяните тормозной трос, чтобы немного удлинить его, а затем закрепите винты на прижимной пластине.

ПРЕДУПРЕЖДЕНИЕ! При резком торможении вы рискуете получить серьезную травму из-за потери тяги и падения. Поддерживайте умеренную скорость и следите за возможными опасностями на дороге.



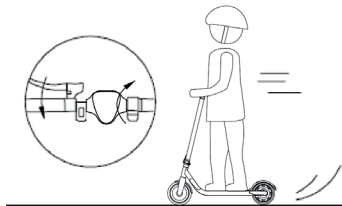
ИСПОЛЬЗОВАНИЕ

Стоя одной ногой на земле, поставьте другую ногу на деку. Оттолкнитесь ногой от земли, и, когда скорость достигнет 3 км/час, включите дроссель. Поставьте другую ногу на деку и продолжайте ускоряться или поддерживать набранную скорость. Такой порядок действий необходим для начала движения и обеспечивает вашу безопасность.

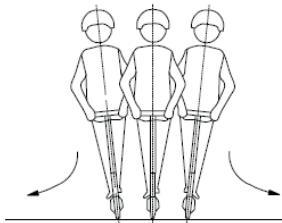


ПОСТОЯННАЯ СКОРОСТЬ

Если удерживать курок дросселя нажатым, то скорость будет фиксированной для большего удобства движения. Чтобы отменить эту функцию, включите тормоз.

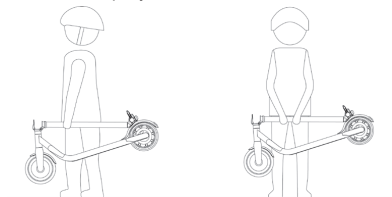


Меняя позу, соблюдая равновесие:



СКЛАДЫВАНИЕ И ПЕРЕНОСКА

При переноске держите сложенный электросмокат за рулевую стойку, как показано на рисунке:



Предупреждения: несоблюдение этих инструкций может привести к серьезным травмам.

- НЕ катайтесь на электросмокате под дождем.
- НЕ давайте ему промокнуть.
Проезжая через дверные проемы, берегите голову. Держите скорость в пределах 5–10 км/час, когда проезжаете по "лежащим полицейским", через проемы дверей лифта, по ухабистым дорогам или другим неровным поверхностям. Слегка согните колени, чтобы легче проехать по таким поверхностям.
- НЕ ставьте ноги на заднее крыло.
- НЕ нажимайте на дроссель, когда идете пешком и ведете электросмокат рядом с собой.
Старайтесь не наехать шиной/колесом на препятствия.
- НЕ перевозите тяжелые предметы на руле.
- НЕ ездите на электросмокате, стоя на деке только одной ногой.
- НЕ ездите по дорогам общего пользования, шоссе или автомагистралям.
- НЕ поворачивайте резко руль при движении на высокой скорости.

- НЕ поднимайтесь и не спускайтесь по лестницам и не перепрыгивайте через препятствия.
- НЕ убирайте руки с руля во время езды. Не катайтесь, держа руль только одной рукой.
- НЕ ездите по лужам или другим (водным) препятствиям. Если встретите такие препятствия, то нужно сбавить скорость и объехать его.
- НЕ перевозите пассажиров. Электросамокат предназначен только для одного ездока.
- НЕ перевозите детей.
- НЕ катайтесь, если вы беременны.
- НЕ пользуйтесь мобильным телефоном и наушниками, когда управляете электросамокатом.
- НЕ прикасайтесь к ступице двигателя после катания, так как она может нагреваться.
- Всегда держите руль обеими руками, чтобы не получить серьезную травму из-за потери равновесия и падения.
- Используйте только в сухую погоду.
- Не рекомендуем использовать на дорогах общего пользования.
- При быстрой езде не делайте резких поворотов.
- Не начинайте движение и не останавливайтесь слишком резко.
- Убедитесь, что скорость электросамоката безопасна для вас и других, и будьте готовы остановиться в любой момент во время езды.
- Управляя электросамокатом, держитесь на расстоянии от других людей, чтобы не столкнуться с ними.
- При поворотах используйте центр тяжести вашего тела; резкое изменение положения центра тяжести может привести к падению.
- Регулярно проверяйте подшипники на наличие влаги и грязи. Просушите и очистите подшипники. При необходимости смажьте подшипники после очистки. Для этого используйте только подходящие смазочные материалы. Также проверьте рулевое управление, чтобы убедиться в безопасности этого устройства.
- Запрещается вносить любые изменения в конструкцию, кроме как согласно инструкциям производителя.
- Регулярно проверяйте и затягивайте самоподтягивающиеся гайки и другие самоподтягивающиеся детали, так как они могут утратить свою эффективность.
- Старайтесь не ездить по крутым склонам.

VIII. ЧИСТКА И ОБСЛУЖИВАНИЕ

Этот электросамокат может использоваться как транспортное средство, поэтому нужно проводить обслуживание всех его компонентов, которые изнашиваются в процессе эксплуатации и не покрываются гарантией.

ЧИСТКА

Перед чисткой убедитесь, что электросамокат выключен, кабель для зарядки отсоединен, а резиновая заглушка на гнезде зарядки плотно закрыта, иначе вы можете повредить электронные компоненты. Всегда перед чисткой сначала отсоединяйте электросамокат от зарядного устройства, вставляйте водонепроницаемую заглушку в гнездо зарядки, выключайте питание, а во время чистки не допускайте контакта жидкости с аккумулятором, двигателем и другими электронными деталями, чтобы избежать непредвиденной опасности. Не чистите самокат струей воды под высоким давлением и не погружайте в воду.

Для чистки электросамоката используйте влажную ткань. Для чистки от грязи протрите его мягкой щеткой, а затем влажной тканью.

Обязательно закройте гнездо зарядки, чтобы избежать проблем с электронными компонентами.

Не используйте спирт, бензин, керосин или другие летучие или вызывающие коррозию химические компоненты. Это может повредить как внешний вид, так и внутренние компоненты электросамоката. Не мойте самокат струей воды под давлением из водяного пистолета или под проточной водой.

ХРАНЕНИЕ

Когда электросамокат долго не используется, храните его в прохладном и сухом месте. Не оставляйте его на улице, так как он не предназначен для использования во влажной атмосфере, рядом с веществами, вызывающими коррозию, такими как морская вода и т.д. Кроме того, не рекомендуется подвергать его длительному воздействию высоких температур, например, держать в местах, куда падает прямой солнечный свет.

IX. ОБРАЩЕНИЕ С АККУМУЛЯТОРОМ. ЧТО ЗАПРЕЩАЕТСЯ ДЕЛАТЬ

Не используйте аккумуляторы других моделей или производителей, используйте только оригинальные аккумуляторы.

Не храните аккумулятор в местах с температурой выше 50°C или ниже -20°C (например, не храните электросамокат летом в багажнике автомобиля) и рядом с источниками огня. Это может вывести аккумулятор из строя, вызвать его перегрев и даже возгорание.

Избегайте полной разрядки аккумулятора, его лучше подзаряжать, пока в нем остается заряд. Это продлит срок службы аккумулятора. Кроме того, при езде на электросамокате в местах с очень низкой или высокой температурой время работы от аккумулятора может сократиться. Это нормально и не означает неисправность аккумулятора.

Если не используете аккумулятор дольше 30 дней, то полностью заряжайте его раз в 60 дней и храните в прохладном сухом месте. Несоблюдение этих рекомендаций может привести к повреждению аккумулятора, которое не покрывается гарантией.

Запрещается разбирать отсек аккумулятора. Для обслуживания обращайтесь только официальные сервисные центры.

Для зарядки используйте только оригинальное зарядное устройство, чтобы избежать риска повреждения или возгорания.

Неправильная утилизация использованных аккумуляторов может серьезно загрязнить окружающую среду. При утилизации этой аккумуляторной батареи соблюдайте местные правила.

После каждого использования заряжайте аккумулятор, это продлит срок его службы.



Ячейка аккумулятора содержит легковоспламеняющиеся и опасные вещества. Неправильное обращение может привести к возгоранию, задымлению, взрыву, серьезным травмам или материальному ущербу. Прочитайте, какие действия запрещено выполнять, и всегда надевайте соответствующее защитное снаряжение перед выполнением любых операций, связанных с аккумулятором.

Держите аккумулятор в недоступном для детей месте, чтобы избежать несчастных случаев. Если аккумулятором пользуются маленькие дети, то перед использованием родители должны объяснить им правила обращения и меры предосторожности, а также всегда проверять целостность аккумулятора.

Используйте только специально предназначенное зарядное устройство и заряжайте аккумулятор только предусмотренным способом. Не заряжайте аккумулятор напрямую от электрической розетки или автомобильного прикуривателя. Не оставляйте аккумулятор без присмотра во время зарядки.

- Во время зарядки аккумулятора не нарушайте полярность.
- Не оставляйте аккумулятор возле огня или источников тепла и не бросайте аккумулятор в огонь.
- Не заряжайте и не используйте аккумулятор в автомобиле или в местах, где температура может быть выше 50°C.
- Не погружайте, не бросайте и не мочите аккумулятор в воде/ морской воде и т. п.
- Не замыкайте накоротко и не соединяйте металлическими предметами положительную (+) и отрицательную (-) клеммы. Не храните аккумулятор в кармане или сумке вместе с металлическими предметами, такими как ключи, цепочки, шпильки, монеты или винты.
- Не протыкайте аккумулятор острым предметом, например, шилом или отверткой.

- Не нагревайте аккумулятор раскаленными предметами, например, паяльником.
- Не бейте по нему тяжелыми предметами, такими как молоток. Не наступайте на аккумулятор, не бросайте и не роняйте его, чтобы избежать механического удара. Не используйте сильно деформированный аккумулятор.
- Не разбирайте аккумулятор и не изменяйте его конструкцию, в том числе электрическую цепь.
- Не паяйте прямо на аккумуляторе, не используйте и не собирайте вместе старые и новые аккумуляторы.
- Не кладите аккумулятор в микроволновую печь, сушилку или резервуар высокого давления.
- Не используйте и не собирайте аккумулятор с аккумуляторами других производителей, аккумуляторах других типов и/или моделей, такими как сухие аккумуляторы, никель-металл-водородные или никель-кадмиевые аккумуляторы.

Обнаружив утечку электролита или неприятный запах, немедленно отойдите подальше от огня. При попадании электролита на кожу или одежду немедленно промойте пресной водой. Если вытекший из аккумулятора электролит попал в глаза, не трите глаза, а промойте их чистой водой и немедленно обратитесь к врачу. Перед использованием аккумулятора протрите его контакты сухой тканью, если они загрязнились.

Перед утилизацией аккумулятора заклейте его клеммы изолентой.

Перед использованием/установкой/извлечением аккумулятора или использованием зарядного устройства прочитайте руководство пользователя и всегда соблюдайте меры предосторожности.

Замените аккумулятор, если при работе он станет разряжаться намного быстрее, чем обычно.

Если аккумулятор нужно поместить на долгое хранение, то выньте его и отнесите в помещение с низкой влажностью и температурой.

Во время зарядки, использования и хранения аккумулятора рядом с ним не должно быть предметов, обладающих статическим электричеством.

Для замены аккумулятора нельзя использовать обычную (неперезаряжаемую) батарею.

Перед утилизацией извлеките аккумулятор из электросамоката.

Во время извлечения аккумулятора электросамокат должен быть отключен от электросети.

Аккумулятор нужно утилизировать безопасным способом.

Не используйте аккумулятор в случае образования статического электричества (более 100 В), иначе схема защиты аккумулятора будет повреждена.

Не извлекайте аккумулятор. Извлечение аккумулятора - это сложная процедура, и оно может изменить работу машины. С вопросами по эксплуатации аккумулятора следует обращаться только в авторизованный сервисный центр.

Не храните и не заряжайте аккумулятор при температуре выше той, что указана в этом руководстве. Не протыкайте аккумулятор. Соблюдайте местные законы и нормативы, регулирующие переработку и/или утилизацию аккумуляторов.

При правильном обслуживании аккумулятора он может прослужить очень долго. Заряжайте аккумулятор после каждой поездки и старайтесь не разряжать аккумулятор полностью.



ПРЕДУПРЕЖДЕНИЕ!

Обнаружив утечку электролита или неприятный запах, немедленно отойдите подальше от огня. При попадании электролита на кожу или одежду немедленно промойте пресной водой. Если вытекший из аккумулятора электролит попал в глаза, не трите глаза, а промойте их чистой водой и немедленно обратитесь к врачу. Перед использованием аккумулятора протрите его контакты сухой тканью, если они загрязнились.

Перед утилизацией аккумулятора заклейте его клеммы изолентой.

Перед использованием/установкой/извлечением аккумулятора или использованием зарядного устройства прочитайте руководство пользователя и всегда соблюдайте меры предосторожности.

Замените аккумулятор, если при работе он станет разряжаться намного быстрее, чем обычно.

Если аккумулятор нужно поместить на долгое хранение, то выньте его и отнесите в помещение с низкой влажностью и температурой.

Во время зарядки, использования и хранения аккумулятора рядом с ним не должно быть предметов, обладающих статическим электричеством.

Для замены аккумулятора нельзя использовать обычную (неперезаряжаемую) батарею.

Перед утилизацией извлеките аккумулятор из электросамоката.

Во время извлечения аккумулятора электросамокат должен быть отключен от электросети.

Аккумулятор нужно утилизировать безопасным способом.

Не пытайтесь разбирать аккумулятор. Не касайтесь контактов аккумулятора. Не разбирайте и не протыкайте корпус.

Держите контакты аккумулятора вдали от металлических предметов, чтобы предотвратить короткое замыкание. Существует опасность возгорания и поражения электрическим током. Не заряжайте и не используйте аккумулятор, если он поврежден или на нем видны капли воды.

В случае аварии или поломки обратитесь в местный авторизованный сервисный центр.

Пользователь должен обращаться в авторизованной или специализированный сервисный центр.

X. Зарядка/разрядка и хранение аккумулятора



Предупреждение: всегда соблюдайте следующие требования:

Используйте только оригинальное зарядное устройство, так как использование ненадлежащего зарядного устройства может привести к травме и материальному ущербу. Гарантия теряет силу при использовании неоригинального зарядного устройства.

Запрещается заряжать аккумулятор рядом с водой, источниками огня и легковоспламеняющимися веществами. Не оставляйте устройство без присмотра во время зарядки.

Не проводите зарядку, если гнездо зарядки или зарядный кабель намокли.

Не заряжайте и не используйте аккумулятор, если он поврежден или на нем видны капли воды.

Гнездо зарядки снабжено специальным пазом. Не прилагайте усилий, вставляя штекер в это гнездо, иначе можно повредить устройство.

Индикатор зарядного устройства горит красным, когда аккумулятор заряжается. По окончании зарядки индикатор загорится зеленым.

Отсоединяйте зарядное устройство, когда его индикатор загорится зеленым. Чрезмерная зарядка или чрезмерная разрядка аккумулятора вызовет его необратимое повреждение или ущерб имуществу. Если во время зарядки после езды индикатор зарядного устройства сразу загорится зеленым, то отключите зарядное устройство и дайте аккумулятору остыть перед зарядкой. Это нормальное явление интеллектуальной защиты, вызванное высокой внутренней температурой аккумулятора. Зарядку можно будет начать после того, как аккумулятор остынет.

Прекратите зарядку и отсоедините зарядное устройство, если аккумулятор не полностью зарядился по прошествии рекомендованного периода времени. За дополнительной информацией обратитесь в сервисный центр.

После каждой зарядки гнездо зарядки нужно закрывать прикрепленным резиновым колпачком.

При обращении с аккумулятором всегда соблюдайте особую осторожность.

Прекратите использовать аккумулятор, если во время использования, зарядки или хранения он сильно нагрелся, выделяет запах, обесцветился, деформировался или перешел в другое ненормальное состояние.

Аккумулятор можно использовать в следующих диапазонах температур. Не выходите за эти диапазоны.

Рабочая температура: от -10 до 60°C (эксплуатационные характеристики аккумулятора зависят от температуры)

Температура при зарядке: 10-45°C

Температура хранения и транспортировки: от -10 до 45°C

Влажность при хранении: 10-80%

XI. Информация для пользователя

Название продукта	Электросамокат Acer ES Series 5
Модель	AES015
Размеры в разложенном виде	118 (Д) x 49 (Ш) x 125 (В) см
Размеры в сложенном виде	118 (Д) x 49 (Ш) x 55 (В) см
Вес с аккумулятором	18,5 кг
Двигатель	350 Вт
Аккумулятор	15 А*ч
Тип аккумулятора	литий-ионный
Изготовитель аккумулятора	TIANHONG
Зарядка	42 В/2,0 А
Изготовитель адаптера: FUYUANDIAN, Номер модели: FY-4202000	
Время полной зарядки	4 часа
Максимальная скорость	20 км/ч или 25 км/ч (в зависимости от правил в вашей стране)
Максимальная дальность езды без подзарядки	60 км
Регулировка скорости	Да
Режимы скорости	3
Уровни режимов скорости	0-6 км/ч; 0-10 км/ч; 0-20 или 25 км/ч (в зависимости от правил в вашей стране)
Механизм складывания	Да
Основной материал	дека из алюминиевого сплава, передняя труба из стали
Максимальная нагрузка	до 100 кг
Клиренс	11 см

Регулируемый по высоте руль	Нет
Тормоза	передний электронный тормоз и задний дисковый тормоз
Дисплей	Светодиодный дисплей
Амортизатор колеса	Да
Колеса	Колесо с литой резиновой шиной
Материал шин	резина
Приводное устройство	Передний привод
Диаметр колеса	10"
Водонепроницаемость	IPX4
Отражатели	Да
Фара	Да
Приложение	Нет
Звуковой сигнал	Да
Подсветка	Да
Bluetooth	Да
Возможность езды в гору	10°

XII. Другое

1. Дата изготовления указана на этикетке устройства

2.  Хранение

Храните это устройство в сухом, прохладном и безопасном месте, избегайте мест с повышенной влажностью и высокой температурой. Влажность может вывести из строя электрические компоненты. При неисправности литиевого аккумулятора обратитесь в местное агентство по переработке и сдайте литиевый аккумулятор на утилизацию в соответствии с национальными или местными законами и правилами.

- Рабочая температура: от -10 до 60°C
- Температура при зарядке: 10-45°C
- Температура хранения и транспортировки: от -10 до 45°C
- Влажность при хранении: 10-80%

3. Этот продукт нельзя выбрасывать в мусор вместе с другими бытовыми отходами. Сдавайте его на утилизацию в соответствии с местными правилами, чтобы свести к минимуму загрязнение окружающей среды, или обратитесь в местную городскую администрацию или службу утилизации бытовых отходов.

4. 1) Устройства не предназначены для использования на высоте более 2000 м над уровнем моря.

2) Длительное воздействие УФ-лучей, дождя и элементов может повредить материал корпуса. Когда не пользуетесь устройством, храните его в помещении.

3) ПРЕДУПРЕЖДЕНИЕ - Риск возгорания - Не содержит деталей для обслуживания пользователем.



Acer Incorporated
8F, 88, Sec. 1, Xintai 5th Rd., Xizhi
New Taipei City 221, Taiwan (Тайбэй, Тайвань)

Заявление о соответствии Директивам Европейского Союза

Мы,

Acer Incorporated
8F, 88, Sec. 1, Xintai 5th Rd., Xizhi, New Taipei City 221, Taiwan (Тайвань)

И,

Acer Italy s.r.l.
Viale delle Industrie 1/A, 20044 Arese (MI), Italy (Италия)
Тел.: +39-02-939-921, факс: +39-02 9399-2913
www.acer.it

Продукт: Электросамокат Acer ES Series 5
Торговое название: acer
Номер модели: AES015
Номер SKU: AES015 *****
(*#)=0-9, a-z, A-Z или пусто)

Мы, компания Acer Incorporated, под нашу единоличную ответственность настоящим заявляем, что указанный выше продукт соответствует основным требованиям и другим применимым положениям указанных ниже согласованных стандартов и Директив Европейского союза: Директива 2006/42/ЕС о безопасности машин и оборудования и Директива 2011/65/EU по ограничению использования определенных видов опасных веществ в электрическом и электронном оборудовании (RoHS). Были применены следующие согласованные стандарты и/или другие уместные стандарты:

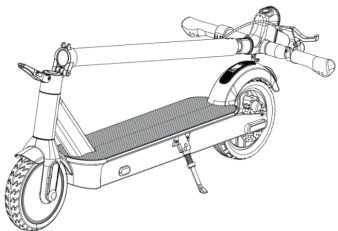




EN 17128:2020	EN 301 489-17 V3.2.4
EN 300 328 V2.2.2	EN 62479:2010
EN 301 489-1 V2.2.3	EN IEC 63000:2018

Год, начиная с которого наносится маркировка CE: 2022.

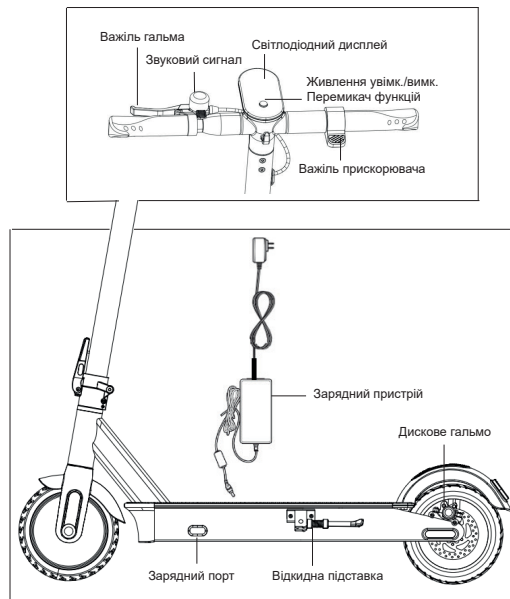
РУ Ян (RU Jan) / Старший управляющий
Acer Incorporated (Тайбэй, Тайвань)

5/16/2022
Дата

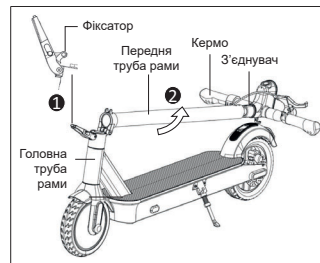
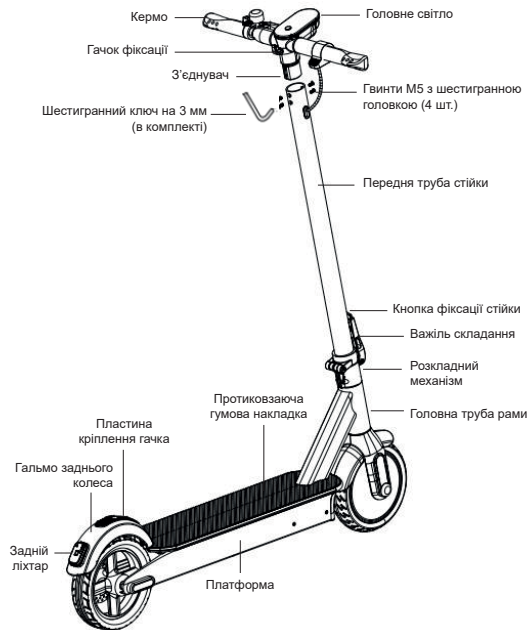
I. Вміст упаковки

Самокат *1	
Шестигранний ключ на 3 мм * 1	
Інструкція з експлуатації *1	
Зарядний пристрій *1	
Гвинт з потайною головкою M5*14L *4 шт	

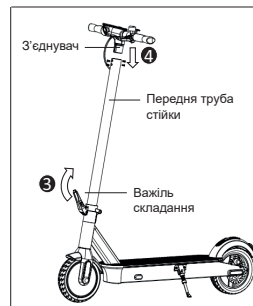
II. Компоненти



III. Збірка



- 1 Повністю відкриті важіль складання, щоб отримати доступ до фіксатора.
- 2 Підніміть передню трубу стійки разом зі з'єднувачем і кермом на рівень головної труби стійки.



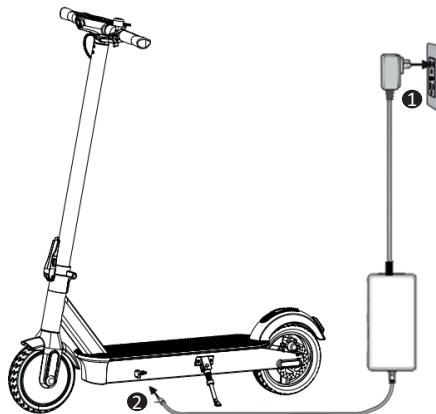
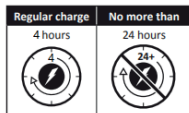
- 3 Зафіксуйте важіль складання.
- 4 Вставте з'єднувач в передню трубу стійки.



- 5 Затягніть усі 4 шестигранні гвинти на передній трубі стійки шестигранним ключем на 3 мм, що входить у комплект.

IV. Зарядіть батарею

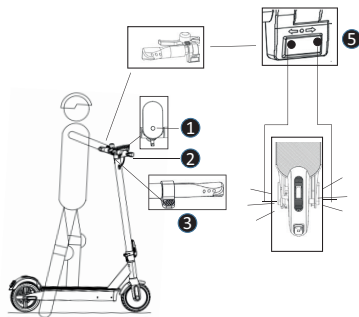
Примітка: Індикатор зарядного пристрою горить **червоним** під час заряджання та стає **зеленим**, коли заряджання завершено.



V. ЕКСПЛУАТАЦІЯ

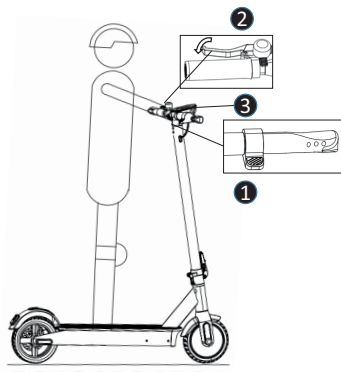
Запуск самоката

1. Натисніть і утримуйте кнопку живлення протягом 3 секунд, щоб увімкнути самокат.
Швидко натисніть кнопку живлення один раз, щоб увімкнути/вимкнути світло.
Двічі безперервно натисніть кнопку живлення, щоб переключити регулювання швидкості.
Натисніть кнопку живлення безперервно 3 рази для переключення між км/год і миль/год.
2. Міцно візьміться за кермо обома руками.
3. Однією ногою встаньте на платформу, другою ногою відштовхніться від землі, щоб додати швидкості, і обережно натисніть на важіль прискорювача.
4. Після старту встаньте обома ногами на платформу.
5. Сигнал повороту (Необов'язково).



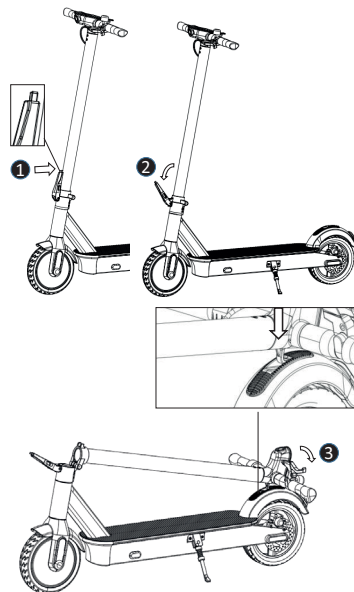
Зупинка самоката

1. Відпустіть важіль прискорювача.
2. Загальмуйте, натиснувши на важіль переднього ручного гальма.
3. Натисніть кнопку вимкнення живлення, коли пристрій не використовується.



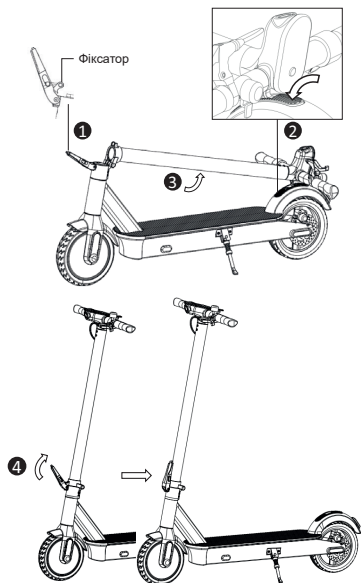
Складання самоката

1. Натисніть вниз кнопку блокування.
2. Розблокуйте важіль складання.
3. Відігніть передню трубу стійки і закріпіть гачок фіксації на пластині гальма заднього колеса.



Розкладання самоката

1. Повністю відкрийте важіль складання, щоб отримати доступ до фіксатора.
2. Натисніть на пластину фіксації гачка, щоб звільнити гачок фіксації.
3. Підніміть передню трубу стійки.
4. Зафіксуйте важіль складання.



VI. Спосіб усунення несправностей

Інформація про код несправності та його розташування

Код несправності	Інформація	Розташування
0E	Низький заряд акумулятора	Повністю зарядіть батарею
1E	Надлишковий заряд батареї	Від'єднайте зарядний пристрій. Зверніться до авторизованого сервісного центру, якщо код несправності все ще не усунено.
2E	Помилка контролера	Зверніться до авторизованого сервісного центру.
3E	Підвищена температура контролера, запустіть програму захисту	Будь ласка, на даний момент не використовуйте самокат. Зачекайте, поки температура впаде, і повторіть спробу.
4E	Лінія передавання сигналів може бути ослаблена або скинута	Зверніться до авторизованого сервісного центру.
5E	Погане з'єднання між двигуном і контролером	Зверніться до авторизованого сервісного центру.

Інформація про код несправності та його розташування		
6E	Несправність прискорювача	Зверніться до авторизованого сервісного центру.
7E	Несправність гальмівної системи	Зверніться до авторизованого сервісного центру.
8E	Перевищення струму, запустіть програму захисту	Зупиніть самокат і запустіть його пізніше. Зверніться до авторизованого сервісного центру, якщо код несправності все ще не усунуто.
9E	Ротор двигуна заблоковано	Зупиніть самокат і запустіть його пізніше. Зверніться до авторизованого сервісного центру, якщо код несправності все ще не усунуто.

Батарея не заряджається

Спосіб вирішення:

1. Вилка не вставлена належним чином.
2. Зарядний пристрій пошкоджений, використовуйте новий зарядний пристрій.
3. Підключення батареї нещільне, повторно підключіть клеми.

Недостатній пробіг після зарядки

Спосіб вирішення:

1. Недостатній заряд, повністю зарядіть батарею.
2. Підйом у гору та сильний зустрічний вітер, великий вантаж, погане дорожнє покриття та низька температура.
3. Клеми між батареєю та зарядним портом нещільно підключені, повторно під'єднайте клеми.

Швидкість занадто низька

Спосіб вирішення:

1. Напруга батареї занадто низька, повністю зарядіть батарею.

Гальма не працюють

Спосіб вирішення:

1. Гальмівний трос занадто довгий, затягніть його ще раз.
2. Якщо гальмівна колодка пошкоджена, замініть на оригінальну.

Примітка: У разі виявлення несправності зверніться до авторизованого сервісного центру. Не ремонтуйте та не модифікуйте самокат самостійно, це може спричинити обмеження гарантії та травми.

VII. ПОЇЗДКА ТА БЕЗПЕКА

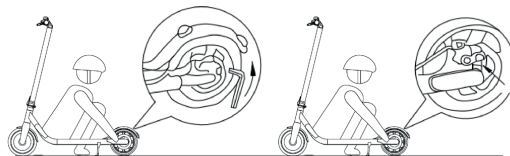
Для використання цього пристрою необхідно пройти процес навчання. Використання без належного процесу навчання може призвести до травм. Використовуйте засоби захисту, щоб запобігти пошкодженню. Після виконання цих кроків ви можете увімкнути електричний самокат:



РЕГУЛЮВАННЯ ГАЛЬМ

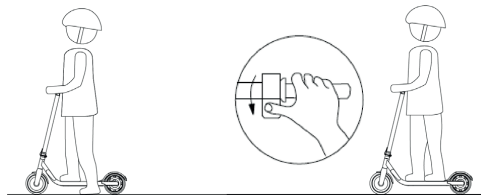
Перед кожною поїздкою перевіряйте гальма. Якщо ви відчуваєте, що гальма занадто тугі, використовуючи шестигранний ключ послабте гвинти проти годинникової стрілки на натискній пластині дискових гальм. Потім відпустіть гальмівну лінію, щоб трохи вкоротити відкриту довжину, і затягніть гвинти натискної пластини. Якщо ви відчуваєте, що гальма занадто ослаблені, відпустіть гвинти на натискній пластині, витягніть гальмівний трос, щоб трохи збільшити довжину, а потім зафіксуйте гвинти на натискній пластині.

УВАГА! Під час різкого гальмування ви ризикуєте отримати серйозну травму через втрату зчеплення з дорогою та падіння. Дотримуйтеся помірної швидкості та уникайте потенційних небезпек.



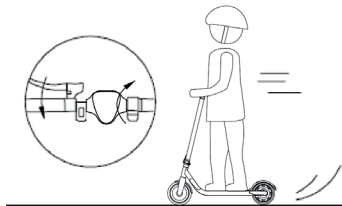
ЕКСПЛУАТАЦІЯ

Тримайте одну ногу на дошці, а іншу на землі. Опустіть ногу на землю, коли швидкість досягне 3 км/год, почніть прискорюватися. Тримайте іншу ногу на дошці та відповідно прискорюйтесь або зберігайте певну швидкість. Ця дія необхідна для початку пересування задля вашої безпеки.

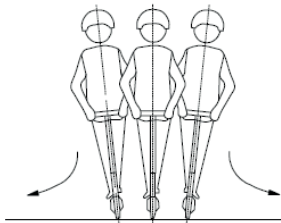


ПОСТІЙНА ШВИДКІСТЬ

Якщо утримувати прискорювач натиснутим, швидкість буде фіксованою для більшого комфорту подорожі. Щоб скасувати цю функцію, активуйте гальма.

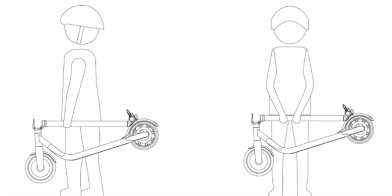


Шукайте рівноважну позу, щоб постійно пересуватися:



СКЛАДАННЯ ТА ТРАНСПОРТУВАННЯ

Для транспортування у складеному стані тримайте електросамокат за стійку, як показано на малюнку:



Увага: недотримання цих інструкцій може призвести до серйозних травм.

- НЕ катайтеся на електросамокаті під час дощу.
- НЕ мочіть.
Слідкуйте за головою, коли проходите через двері.
Зберігайте швидкість у межах 5–10 км/год, коли проїжджаєте лежачі поліцейські, двері ліфта, вибоїсті дороги чи інші нерівні поверхні.
Злегка зігніть коліно, щоб краще проїхати по згаданим поверхням.
- НЕ тримайте ноги на задньому крилі.
- НЕ натискайте на педаль газу під час ходьби з електросамокатом.
Уникайте контакту шин/колес з перешкодами.
- НЕ перевозьте важкі предмети на кермі.
- НЕ катайтеся на електросамокаті лише однією ногою.
- НЕ їдьте дорогами загального користування, автострадами чи шосе.
- НЕ крутіть сильно ручку під час руху на високій швидкості.
- НЕ катайтеся по сходах і не перестрибуйте через перешкоди.
- НЕ відривайте руки від керма під час їзди. Не катайтеся, тримаючись лише однією рукою.

- НЕ катайтесь через калюжі чи будь-які інші (водні) перешкоди. У такому випадку зменште швидкість і об'їдьте перешкоду.
- НЕ перевозьте пасажирів. Електричний самокат призначений лише для одного водія.
- Не перевозьте дітей.
- Не катайтеся під час вагітності.
- НЕ використовуйте мобільний телефон і не надягайте навушники під час керування електричним самокатом.
- НЕ торкайтеся двигуна після їзди, оскільки він може нагрітися.
- Завжди тримайте обидві руки на кермі, інакше ви ризикуєте отримати серйозну травму через втрату рівноваги та падіння.
- Тільки для використання в суху погоду.
- Ми не рекомендуємо використовувати на дорогах загального користування.
- Ніколи різко не повертайте під час швидкої їзди.
- Не стартуйте і не зупиняйтеся раптово.
- Переконайтеся, що швидкість електросамоката безпечна для вас та інших, і будьте готові зупинитися в будь-який момент, коли він їде.
- Під час керування електросамокатом тримайтеся на відстані від інших, щоб уникнути зіткнень.
- Під час повороту ви повинні використовувати центр ваги свого тіла; різка зміна центру ваги може спричинити пошкодження.
- Регулярно перевіряйте підшипники на наявність вологи та бруду. Сушіть і очищуйте підшипники. При необхідності змащуйте підшипники після очищення. Для цієї мети використовуйте тільки відповідні мастила. Також перевіряйте положення керма, щоб переконатися, що цей продукт безпечний.
- Забороняється вносити будь-які модифікації, крім зазначених в інструкції виробника.
- Якщо є самозакручуванні гайки та інші самозакручуванні кріплення, вони можуть втратити свою ефективність.
- Уникайте катання на крутих схилах.

VIII. ЧИЩЕННЯ ТА ОБСЛУГОВУВАННЯ

Цей електричний скутер можна використовувати як транспортний засіб і тому він потребує технічного обслуговування всіх компонентів, які зношуються внаслідок використання, і на які не поширюється гарантія.

ЧИЩЕННЯ

Перед чищенням переконайтеся, що електросамокат ВИМКНЕНО, зарядний кабель від'єднано, а гумова кришка зарядного порту щільно закрита. Інакше ви можете пошкодити електронні компоненти. Завжди спочатку від'єднуйте виріб від зарядного пристрою, закривайте водонепроникний штекер зарядного пристрою, вимикайте живлення виробу та уникайте контакту рідини з батареєю, двигуном та іншими електронними деталями під час чищення, щоб не допустити непередбаченої небезпеки. Не використовуйте струмінь води під високим тиском для чищення виробу та не занурюйте його у воду.

Для очищення електросамоката використовуйте вологу тканину. Якщо вам потрібно очистити бруд, використовуйте м'яку щітку, а потім вологу тканину. Обов'язково закрийте зарядний порт, щоб уникнути проблем з електронними компонентами.

Не використовуйте спирт, бензин, керосин або інші леткі чи корозійні хімічні компоненти. Це може пошкодити як зовнішній вигляд, так і внутрішню структуру електросамоката. Також не використовуйте водяний пістолет під тиском або проточну воду.

ЗБЕРІГАННЯ

Коли електричний самокат не використовується, зберігайте його в прохолодному сухому місці. Не залишайте його на вулиці, оскільки він не призначений для використання у вологих приміщеннях, поблизу корозійних агентів, таких як морська вода, порти тощо. Також не рекомендується протягом тривалого часу піддавати його впливу високих температур, спричинених прямими сонячними променями.

ІХ. ЕКСПЛУАТАЦІЯ БАТАРЕЇ ТА ЗАБОРОНЕНІ ДІЇ

Не використовуйте батареї інших моделей або марок, використовуйте лише оригінальну.

Не розміщуйте акумулятор у середовищі з високою температурою вище 50°C або нижче -20°C (наприклад, не ставте електричний самокат у багажник автомобіля влітку) і не залишайте батарею поблизу вогню. Інакше це може призвести до несправності батареї, перегріву та навіть ризику пожежі.

Уникайте повної розрядки батареї, краще заряджати їх, поки в них ще є заряд. Це продовжить термін служби батареї. Крім того, якщо ви керуєте електросамокатом у дуже холодних або теплих областях, ви можете зменшити час використання батареї. Це не несправність батарей, а їх нормальна поведінка.

Якщо батарея не використовується більше 30 днів, повністю зарядьте її та зберігайте в прохолодному сухому місці, а також повністю заряджайте батарею кожні 60 днів. Невиконання цих кроків може призвести до пошкодження батареї, і це пошкодження не покривається гарантією.

Забороняється розбирати батарейний відсік. Маніпуляції з ним дозволяється виконувати лише в Офіційних технічних службах або призначених Майстернях.

Для заряджання використовуйте лише оригінальний зарядний пристрій, інакше існує ризик пошкодження або пожежі.

Неналежна утилізація використаних батарей може призвести до серйозного забруднення навколишнього середовища. Дотримуйтеся місцевих правил під час утилізації цієї батареї.

Після кожного використання заряджайте батарею, це продовжить термін її служби.



Елемент батареї містить легкозаймисті та небезпечні речовини. Неправильне поводження може призвести до пожежі, задимлення, вибуху та серйозних травм або втрати майна. Завжди читайте та дотримуйтеся наступних заборонених дій, надягайте належне захисне спорядження перед виконанням будь-яких операцій, пов'язаних з батареєю.

Тримайте батарею подалі від немовлят і дітей, щоб уникнути нещасних випадків. Якщо батареєю користуються діти молодшого віку, їхні опікуни повинні пояснити їм спосіб правильного поводження та запобіжні заходи перед використанням і завжди перевіряти цілісність батареї.

Використовуйте лише спеціальний зарядний пристрій і заряджайте батарею лише призначеним способом. Не заряджайте батарею безпосередньо від електричної розетки або від автомобільного зарядного пристрою прикурювача. Не заряджайте батарею без нагляду.

- Не заряджайте батарею зі зворотнього боку.
- Не залишайте батарею біля вогню чи джерела тепла та не кидайте батарею у вогонь.
- Не заряджайте та не використовуйте батарею у автомобілі чи подібному місці, де температура всередині може перевищувати 50°C.
- Не занурюйте, не кидайте та не змочуйте батарею у воді/морській воді тощо.
- Не замикайте та не з'єднуйте (+) позитивні та (-) негативні клеми металевими предметами. Не зберігайте батарею у кишені чи сумці разом із металевими предметами, такими як ключі, намиста, шпильки, монети чи гвинти.
- Не протикайте батарею гострими предметами, такими як голка, викрутка.

- Не нагрівайте частину батареї гарячими предметами, наприклад паяльником.
- Не бийте важкими предметами, такими як молоток, вага. Не наступайте на батарею, не кидайте та не випускайте батарею, щоб уникнути механічних ударів. Не використовуйте сильно деформовану батарею.
- Не розбирайте батарею та не змінюйте конструкцію батареї, включаючи електричну схему.
- Не об'єднуйте батареї безпосередньо, не використовуйте і не збирайте старі та нові батареї разом.
- Не кладіть батарею в мікрохвильову піч, сушарку або ємність під високим тиском.
- Не використовуйте та не з'єднуйте батареї з батареями інших виробників, різних типів та/або моделей, такими як сухі батареї, нікель-метал-водневі батареї або нікель-кадмієві батареї.

Тримайте подалі від вогню, якщо виявлено витік або неприємний запах. Якщо рідина потрапила на шкіру або одяг, негайно добре промийте їх чистою водою. Якщо рідина, що витікає з батареї, потрапила в очі, не тріть очі, промийте їх чистою водою та негайно зверніться до лікаря. Якщо контакти батареї забруднилися, протріть їх сухою тканиною перед використанням батареї.

Перед утилізацією закрийте клеми відповідною ізоляційною стрічкою.

Перед використанням/встановленням/вийманням батареї або використанням зарядного пристрою завжди читайте посібник користувача та дотримуйтеся застережних заходів щодо поводження.

Замініть батарею, коли час її використання стане набагато коротшим, ніж зазвичай.

Якщо батарею необхідно зберігати протягом тривалого часу, її слід вийняти з пристрою та зберігати в місці з низькою вологістю та низькою температурою.

Поки батарея заряджається, використовується та зберігається, тримайте її подалі від предметів зі статичною електрикою.

Не можна використовувати неперезаряджувану батарею як змінну. Батарею необхідно вийняти з приладу, перш ніж здавати на металобрухт.

Перед вийманням батареї прилад необхідно від'єднати від електромережі.

Батарею слід безпечно утилізувати.

Не використовуйте батарею у разі генерації статичної електрики (більше 100 В), це призведе до пошкодження схеми захисту батареї.

Не виймайте батарею. Виймання батареї є складним процесом і може змінити роботу пристрою. Ви повинні звертатися лише до авторизованого сервісного центру для виконання операцій з батареєю.

Не зберігайте та не заряджайте батарею при температурах, що виходять за межі зазначених лімітів (див. у цьому посібнику). Не проколюйте батарею. Зверніться до місцевих законів і правил щодо переробки та/або утилізації батареї.

Батарея, яку добре обслуговували, може гарно працювати навіть після багатьох миль їзди. Заряджайте батарею після кожної поїздки та не розряджайте її повністю.



УВАГА!

Тримайте подалі від вогню, якщо виявлено витік або неприємний запах. Якщо рідина потрапила на шкіру або одяг, негайно добре промийте їх чистою водою. Якщо рідина, що витікає з батареї, потрапила в очі, не тріть очі, промийте їх чистою водою та негайно зверніться до лікаря. Якщо контакти батареї забруднилися, протріть їх сухою тканиною перед використанням батареї.

Перед утилізацією закрийте клеми відповідною ізоляційною стрічкою.

Перед використанням/встановленням/вийманням батареї або використанням зарядного пристрою завжди читайте посібник користувача та дотримуйтеся застережних заходів щодо поводження.

Замініть батарею, коли час її використання стане набагато коротшим, ніж зазвичай.

Якщо батарею необхідно зберігати протягом тривалого часу, її слід вийняти з пристрою та зберігати в місці з низькою вологістю та низькою температурою.

Поки батарея заряджається, використовується та зберігається, тримайте її подалі від предметів зі статичною електрикою.

Не можна використовувати неперезаряджувану батарею як змінну.

Батарею необхідно вийняти з приладу, перш ніж здавати на металобрухт.

Перед вийманням батареї прилад необхідно від'єднати від електромережі.

Батарею слід безпечно утилізувати.

Не намагайтеся розібрати батарею. Не торкайтеся контактів батареї. Не розбирайте та не проколюйте корпус.

Тримайте контакти батареї подалі від металевих предметів, щоб запобігти короткому замиканню. Ризик пожежі та ураження електричним струмом. Не заряджайте та не використовуйте батарею, якщо вона пошкоджена або на ній є сліди води.

У разі аварії або поломки: зверніться до авторизованого сервісного центру у вашій країні.

Користувач повинен звернутися до авторизованої або спеціалізованої служби обслуговування клієнтів.

X. Заряджання/розряджання та зберігання батареї



Увага: завжди дотримуйтеся наступного повідомлення.

Використовуйте лише оригінальний зарядний пристрій, неправильне використання може призвести до травм і втрати майна. Гарантія не несе жодної відповідальності, спричиненої використанням неоригінального зарядного пристрою.

Не заряджайте поблизу будь-якої рідини/джерела вогню, завжди уникайте легкозаймистих речовин. Не залишайте пристрій без нагляду під час зарядки.

Не заряджайте, якщо зарядний порт або зарядний кабель вологий.

Не заряджайте та не використовуйте батарею, якщо вона пошкоджена або на ній є сліди води.

Інтерфейс зарядки забезпечений спеціальним слотом. Не намагайтеся вставити роз'єм з силою, оскільки це може пошкодити пристрій.

Індикатор зарядного пристрою світиться червоним, коли батарея заряджається. Індикатор світиться зеленим, коли зарядка завершена.

Відключіть зарядний пристрій, коли індикатор зарядного пристрою стане зеленим. Надлишковий заряд або надмірний розряд призведе до незворотного пошкодження батареї або втрати майна. Якщо індикатор зарядного пристрою став зеленим одразу під час заряджання після катання, від'єднайте зарядний пристрій і дайте батареї охолонути перед повторним заряджанням. Це нормальне явище розумного захисту через високу внутрішню температуру батареї. Зарядку можна починати після того, як батарея охолоне.

Зупиніть заряджання та від'єднайте зарядний пристрій, якщо батарея не буде повністю заряджена після наступного рекомендованого часу. Для отримання додаткової інформації зверніться до служби підтримки клієнтів.

Після кожного заряджання порт для заряджання має бути закритим гумовою кришкою.

Завжди будьте особливо обережні під час поводження з батареєю.

Припиніть використання батареї, якщо під час використання, заряджання чи зберігання вона стане аномально гарячою, з'явиться запах, зміниться колір, деформується або виявиться інший ненормальний стан.

Батарею можна використовувати в таких діапазонах температур. Не перевищуйте ці діапазони.

Температура експлуатації: -10-60°C (продуктивність батареї залежить від температури)

Температура зарядки: 10-45°C

Температура зберігання та транспортування: -10-45°C

Вологість зберігання: 10-80%

XI. Інформація про утилізацію

Назва продукту	Електричний самокат Acer ES серія 5
Модель	AES015
Розміри, в розкладеному вигляді	118 Д x 49 Ш x 125 В (см)
Розміри в складеному вигляді	118 Д x 49 Ш x 55 В (см)
Вага включаючи батарею	18,5 кг
Двигун	350 Вт
Батарея	15 А/год
Тип батареї	літій-іонний
Виробник батареї	TIANHONG
Зарядка	42 В/2,0 А
Виробник адаптера: FUYUANDIAN, Модель №: FY-4202000	
Час повної зарядки	4 год.
Максимальна швидкість	20 км/год або 25 км/год (залежить від законодавства країни)
Максимальна відстань без зарядки	60 км
Регулювання швидкості	так
Швидкісні режими	3
Рівень швидкісних режимів	0-6 км/год; 0-10 км/год; 0-20 або 25 км/год (залежить від законодавства країни)
Розкладний механізм	Так
Основний матеріал	платформа з алюмінієвого сплаву, сталева передня труба стійки
Максимальне навантаження	до 100 кг
Кліренс	11 см
Регульоване по висоті кермо	ні

Гальма	передні електронні гальма та задні дискові гальма
Дисплей	Світлодіодний дисплей
Колесний амортизатор	Так
Колеса	колесо з твердої шини
Матеріал шин	гума
Блок приводу	Передній привід
Діаметр колеса	10"
Водонепроникність	IPX4
Відбивачі	так
Фара	так
Додаток	ні
Звуковий сигнал	так
Підсвічування	так
Bluetooth	так
Здатність їзди вгору	10°

XII. Інше

1. Дата виробництва вказана на етикетці продукту

2.  Пам'ять

Зберігайте цей продукт у сухому, прохолодному та безпечному місці, уникайте вологи та високих температур. Вологість може спричинити пошкодження електричних компонентів. Якщо літєва батарея вийде з ладу, зверніться до місцевого агентства з утилізації та утилізуйте її відповідно до національних або місцевих законів і правил.

- Температура експлуатації: -10-60°C
- Температура зарядки: 10-45°C
- Температура зберігання та транспортування: -10-45°C
- Вологість зберігання: 10-80%

3. Цей продукт не можна викидати разом з іншими побутовими відходами. Будь ласка, відносьте його на переробку, щоб мінімізувати забруднення навколишнього середовища відповідно до місцевих правил, або зверніться до місцевого міського управління, служби утилізації побутових відходів.

4. 1) Пристрої не призначені для використання на висоті понад 2000 м над рівнем моря.
- 2) Тривалий вплив УФ-променів, дощу та погодних умов може пошкодити матеріал корпусу. Зберігайте пристрій в приміщенні, коли він не використовується.
- 3) **ПОПЕРЕДЖЕННЯ** - Ризик пожежі - Жодна частина не може бути відремонтована користувачем.



Acer Incorporated
8F, 88, Sec. 1, Xintai 5th Rd., Xizhi
New Taipei City 221, Taiwan

Декларація про відповідність ЄС

Ми,

Acer Incorporated
8F, 88, Sec. 1, Xintai 5th Rd., Xizhi, New Taipei City 221, Taiwan

Та,

Acer Italy s.r.l.
Viale delle Industrie 1/A, 20044 Arese (MI), Italy
Тел: +39-02-939-921, Факс: +39-02 9399-2913
www.acer.it

Виріб: Електричний самокат Acer ES серія 5
Торгова марка: acer
Модель номер: AES015
Каталожний номер: AES015 *****
(“*”=0-9, a-z, A-Z, або Пусто)

Ми, компанія Acer Incorporated, заявляємо про свою виключну відповідальність, що продукт, описаний вище, відповідає чинному Уніфікованому законодавству ЄС. Директива щодо машинного обладнання 2006/42/EC та Директива RoHS 2011/65/EU. Були застосовані наступні узгоджені стандарти і/або інші відповідні стандарти:

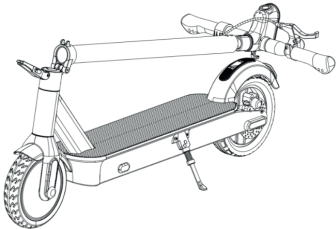


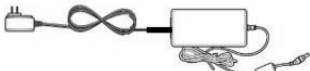

<u>EN 17128:2020</u>	<u>EN 301 489-17 V3.2.4</u>
<u>EN 300 328 V2.2.2</u>	<u>EN 62479:2010</u>
<u>EN 301 489-1 V2.2.3</u>	<u>EN IEC 63000:2018</u>

Рік початку нанесення маркування CE: 2022.

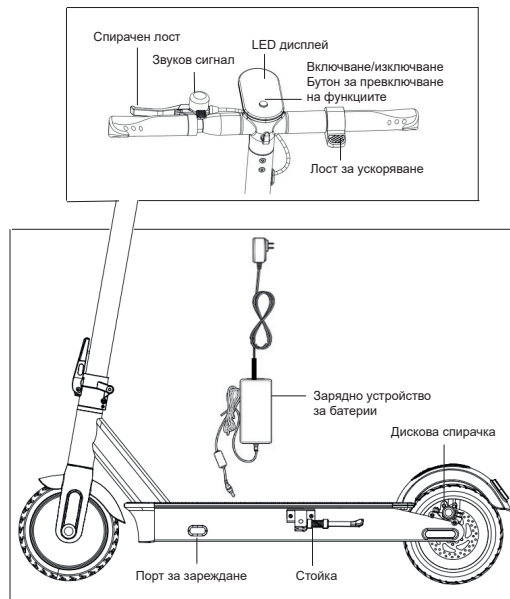
Ru Jan / Старший менеджер
Acer Incorporated (Тайпей, Тайвань)

5/16/2022
Дата

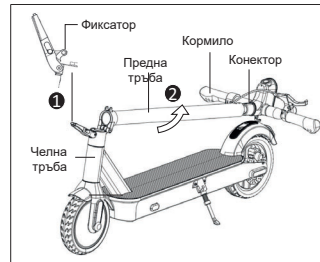
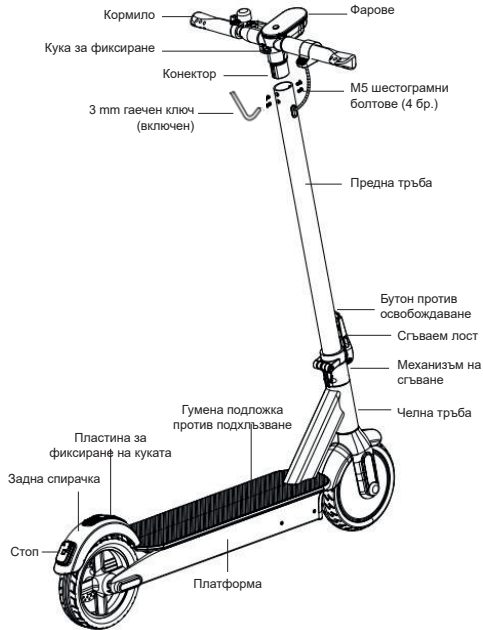
I. Съдържание на пакета

Тротинетка *1	
3 mm гаечен ключ *1	
Наръчник на собственика *1	
Зарядно устройство *1	
M5*14L винт със скрита глава *4 бр.	

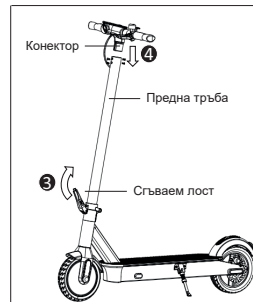
II. Части



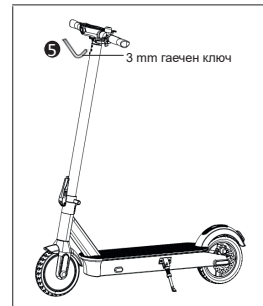
III. Монтаж



- 1 Отворете докрай сгъваемия лост, за да получите достъп до фиксатора.
- 2 Повдигнете предната тръба заедно с конектора и кормилото на едно ниво с челната тръба.



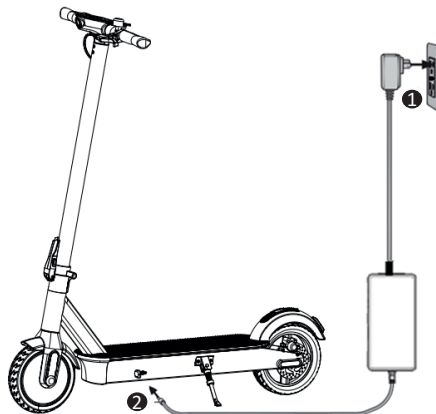
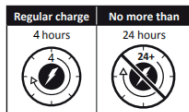
- 3 Заклучете сгъваемия лост.
- 4 Вкарайте конектора в предната тръба.



- 5 Затегнете всички 4 шестограмни болтове на предната тръба, като използвате включения 3 mm гаечен ключ.

IV. Зареждане на батерията

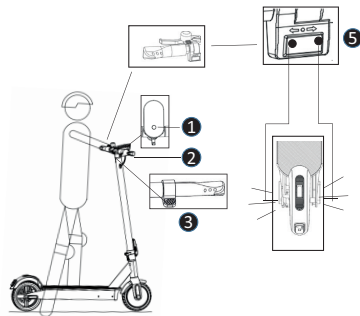
Забележка: Индикаторът на зарядното устройство е **червен** по време на зареждане и става **зелен**, когато зареждането приключи.



V. УПОТРЕБА

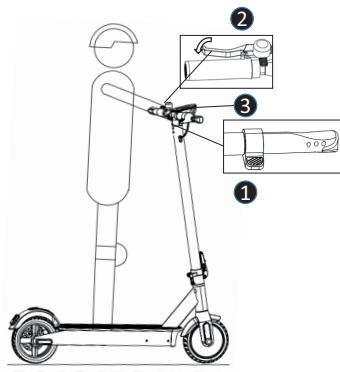
Стартиране на тротинетката

1. Натиснете и задръжте бутона за включване и изключване в продължение на 3 секунди, за да включите тротинетката. Натиснете за кратко бутона за включване и изключване веднъж за включване/изключване на осветлението. Натискайте продължително бутона за включване и изключване два пъти, за да превключите настройките на скоростта. Натискайте продължително бутона за включване и изключване 3 пъти, за да превключите между km/h и mp/h.
2. Хванете здраво кормилото с две ръце.
3. Стъпете на платформата с един крак, с другия се оттласквате от земята, за да подпомогнете ускорението, после внимателно натиснете лоста за газта.
4. Стъпете на платформата с два крака след стартиране.
5. Сигнал за завиване (като опция).



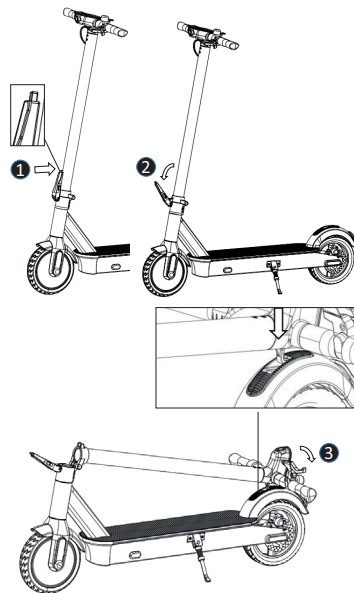
Спиране на тротинетката

1. Освободете лоста за газта.
2. Спрете, като натиснете лоста на предната ръчна спирачка.
3. Натиснете бутона за включване и изключване в изключено положение, когато няма да използвате тротинетката.



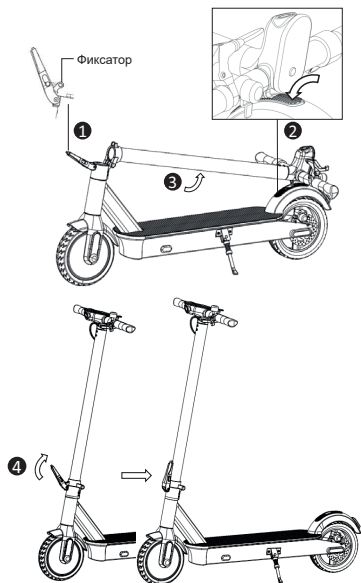
Сгъване на тротинетката

1. Натиснете бутона против освобождаване.
2. Отключете сгъваемия лост.
3. Сгънете предната тръба и заключете фиксиращата кука към фиксиращата пластина на спирачката на задната гума.



Разгъване на тротинетката

1. Отворете докрай сгъваемия лост, за да получите достъп до фиксатора.
2. Натиснете надолу пластината за фиксиране на куката, за да освободите фиксиращата кука.
3. Повдигнете предната тръба.
4. Заклучете сгъваемия лост.



VI. Отстраняване на неизправности - метод

Въведение и подредба на кодовете за грешка		
Код за грешка	Въведение	Подредба
0E	Ниско ниво на батерията	Пълно зареждане на батерията
1E	Прекомерно зареждане на батерията	Отстранете зарядното устройство. Моля, свържете се с оторизиран сервизен център, ако кодът за грешка все още не е изчезнал.
2E	Грешка в контролера	Моля, свържете се с оторизиран сервизен център.
3E	Прегряване на контролера, стартирайте програма за защита	Моля, не използвайте тротинетката засега. Изчакайте температурата да падне и опитайте отново.
4E	Линията на сигнала може да е разхлабена или прекъсната	Моля, свържете се с оторизиран сервизен център.
5E	Разхлабена връзка между мотор и контролер	Моля, свържете се с оторизиран сервизен център.
6E	Грешка в ускорителя	Моля, свържете се с оторизиран сервизен център.

Въведение и подредба на кодовете за грешка		
7E	Грешка в спирачната система	Моля, свържете се с оторизиран сервизен център.
8E	Свърхток, стартирайте програма за защита	Спрете тротинетката и стартирайте отново о по-късно. Моля, свържете се с оторизиран сервизен център, ако кодът за грешка все още не е изчезнал.
9E	Ротор, блокиран от мотора	Спрете тротинетката и стартирайте отново о по-късно. Моля, свържете се с оторизиран сервизен център, ако кодът за грешка все още не е изчезнал.

Батерията не се зарежда

Метод:

1. Щепселът не е вкаран правилно.
2. Зарядното устройство е повредено, използвайте ново.
3. Окабеляването на батерията е разхлабено, свържете отново терминалите.

Недостатъчен пробег след зареждане

Метод:

1. Недостатъчен заряд; заредете батерията докрай.
2. Наклон нагоре и силен насрещен вятър, голям товар, лоша пътна настилка и ниска температура.
3. Връзките на терминала между батерията и порта за зареждане са разхлабени. Свържете отново терминалите.

Скоростта е твърде ниска твърде тих

Метод:

1. Напрежението на батерията е твърде ниско; заредете батерията докрай.

Спирачката не работи

Метод:

1. Кабелът на спирачката е твърде дълъг. Затегнете кабела на спирачката.
2. Ако накладката е повредена, сменете оригиналната.

Забележка: След откриване на неизправност, моля, свържете се с оторизиран сервизен център. Не ремонтирайте и не модифицирайте тротинетката сами. Ако го направите, са възможни ограничения на гаранцията и наранявания.

VII. ЕКСПЛОАТАЦИЯ И БЕЗОПАСНОСТ

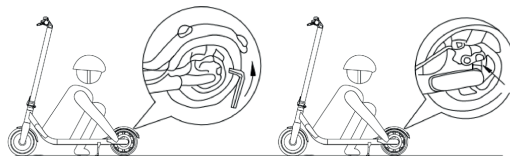
За да използвате това устройство, трябва да преминете през процес на обучение. Употребата без правилен процес на обучение може да доведе до наранявания. Използвайте предпазители, за да предотвратите повреди. Когато завършите тези стъпки, можете да включите електрическата тротинетка:



РЕГУЛИРАНЕ НА СПИРАЧКАТА

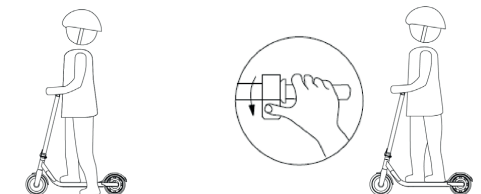
Преди експлоатация, винаги проверявайте спирачките. Ако усетите, че спирачката е твърде стегната, използвайте гаечен ключ, за да разхлабите по посока обратно на часовниковата стрелка болтовете на притискащата плоскост на леглото на дисковата спирачка. Освободете линията на спирачката, за да скъсите малко откритата дължина и затегнете болтовете на притискащата плоскост. Ако усетите, че спирачката е твърде разхлабена, освободете болтовете на притискащата пластина, дръпнете кабела на спирачката, за да го удължите малко, след което заключете болтовете на притискащата плоскост.

ПРЕДУПРЕЖДЕНИЕ! При рязко спиране рискувате сериозно нараняване поради загуба на теглителна сила и падане. Поддържайте умерена скорост и внимавайте за евентуални рискове.



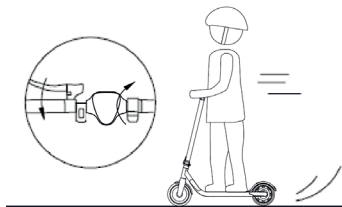
УПОТРЕБА

Дръжте единия край на платформата, другия на земята. Дръжте единия крак на земята. Когато скоростта достигне 3 km/h, започнете да ускорявате. Дръжте другия крак на платформата. Ускорявайте по подходящ начин или поддържайте определена скорост. Това действие е необходимо за стартиране на движението, за Ваша безопасност.

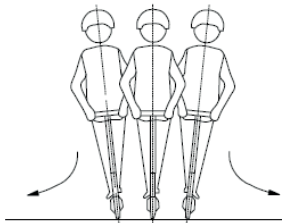


ПОСТОЯННА СКОРОСТ

Ако поддържате газта натисната, скоростта ще е постоянна за по-голям комфорт при пътуване. За да отмените функцията, активирайте спирачката.

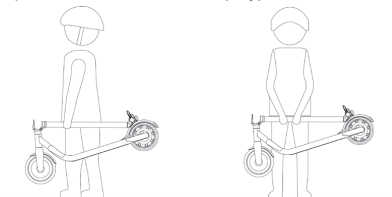


Търсете балансирана поза за постоянно циркулиране:



СГЪВАНЕ И ТРАНСПОРТИРАНЕ

След сгъване, дръжте електрическата тротинетка за кормилото за транспортиране, както е показано на фигурата:



Предупреждения: Неспазването на следните инструкции може да доведе до сериозно нараняване.

- НЕ карайте електрическата тротинетка в дъжда.
- НЕ се мокрете.
Внимавайте да не си ударите главата, когато минавате през входове. Поддържайте скорост 5–10 km/h (3,1–6,2 mph), когато управлявате през неравности за намаляване на скоростта, рамки на врати на асансьори, неравна пътна настилка или други неравни повърхности. Леко сгънете коляно за по-добра нагласа към споменатите повърхности.
- НЕ дръжте краката си на задната броня.
- НЕ натискайте дросела, когато ходите до тротинетката. Избягвайте контакт на препяствия с гумата/козелето.
- НЕ транспортирайте тежки предмети върху кормилото.
- НЕ управлявайте електрическата тротинетка само с един крак.
- НЕ управлявайте в обществената пътна мрежа, на магистрали и високоскоростни отсечки.
- НЕ въртете кормилото със сила при управление с висока скорост.
- НЕ карайте нагоре или надолу по стълби и не прескачайте препяствия.

- НЕ махайте ръцете си от кормилото по време на управление. Не карайте само с една ръка.
- НЕ преминавайте през локви или други (водни) препятствия. В такива случаи намалете скоростта си и заобиколете препятствието.
- НЕ вземте пътници. Електрическата тротинетка е само за един човек.
- НЕ вземте дете.
- Не управлявайте, ако сте бременна.
- НЕ използвайте мобилен телефон и не използвайте слушалки, когато управлявате електрическата тротинетка.
- НЕ докосвайте мотора след управление, защото може да е горещ.
- Винаги дръжте кормилото с две ръце или рискувате сериозно нараняване поради загуба на баланс и падане.
- Да се използва само в сухо време.
- Не препоръчваме използване в обществената пътна мрежа.
- Никога не завивайте рязко, когато карате бързо.
- Не стартирайте и не спирайте внезапно.
- Уверете се, че скоростта на електрическата тротинетка е безопасна за Вас и другите и бъдете готови да спрете във всеки един момент по време на движение.
- Когато управлявате електрическата тротинетка, моля, поддържайте дистанция от другите, за да избегнете сблъсък.
- Когато завивате, трябва да използвате центъра на тежестта на Вашето отяло; рязката промяна в центъра на тежестта може да доведе до повреда.
- Редовно проверявайте лагерите за влага и замърсяване. Подсушете и почистете лагерите. Ако е необходимо, смажете лагерите след почистване. Използвайте само подходящи за целта смазки. Проверявайте също така положението на кормилото, за да сте сигурни, че продуктът е безопасен.
- Да не се правят никакви модификации, освен онези, посочени в инструкциите на производителя.
- При самозаконтрящи гайки и други самозаконтрящи фиксатори, те може да загубят ефективността си.
- Да се избягва управление по стръмни склонове.

VIII. ПОЧИСТВАНЕ И ПОДДРЪЖКА

Тази електрическа тротинетка може да се използва като средство за транспортиране и като такова изисква поддръжка на всички компоненти, които са обект на износване поради употреба и не се покриват от гаранцията.

ПОЧИСТВАНЕ

Уверете се, че електрическата тротинетка е **ИЗКЛЮЧЕНА**, че зарядният кабел е изключен от контакта и че гуменото капаче на порта за зареждане е поставено преди почистване; в противен случай може да повредите електронните компоненти. Винаги първо изключвайте продукта от зарядното устройство, покрийте водоустойчивия щепсел за зареждане, изключете захранването на продукта и избягвайте контакт на течности с батерията, мотора и другите електронни части по време на почистване, за да избегнете непредвидени рискове. Не използвайте водна струя под високо налягане за почистване на продукта и не го потапяйте във вода.

За почистване на електрическата тротинетка използвайте влажна кърпа. Ако трябва да отстраните замърсяване, използвайте мека четка и след това влажна кърпа.

Уверете се, че портът за зареждане е покрит, за да избегнете проблеми с електронните компоненти.

Не използвайте алкохол, бензин, керосин или други летливи или корозивни химически компоненти. Това може да навреди на външния вид и да повреди вътрешната конструкция на електрическата тротинетка. Също така не използвайте водна струя или течаща вода.

СЪХРАНЕНИЕ

Съхранявайте електрическата тротинетка в студена и суха среда, когато не се използва. Избягвайте да я оставяте навън, защото не е предназначена за употреба във влажна среда, в близост до корозивни вещества, като морска вода, пристанища и др. Не се препоръчва излагането на тротинетката на висока температура, причинена от пряка слънчева светлина продължително време.

IX. БОРАВЕНЕ С БАТЕРИИТЕ И ЗАБРАНЕНИ ДЕЙСТВИЯ

Не използвайте други модели или марки батерии. Използвайте само оригиналната батерия.

Не поставяйте батерията в среда с висока температура над 50°C или по-ниска от -20°C (напр., не поставяйте електрическата тротинетка в багажника на автомобил през лятото) и не оставяйте батерията близо до огън. В противен случай е възможна неизправност на батерията, прегряване и дори риск от пожар.

Избягвайте пълно разреждане на батериите. По-добре е да ги заредите, докато в тях все още има заряд. Това ще удължи живота на батерията. Също така, ако управлявате електрическата тротинетка на много студени или топли места, това може да намали времето на работа на батериите. Това не е повреда на батериите, а нормално поведение.

Когато не се използва повече от 30 дни, заредете напълно и съхранявайте на студено, сухо място. Зареждайте батерията докрай на всеки 60 дни. Неспазването на тези стъпки може да повреди батерията, а тази повреда не се покрива от гаранцията.

Забранява се демонтирането на отделението за батерии. Боравене се разрешава само на официални технически сервиси и свързаните с тях работилници.

За зареждане да се използва само оригиналното зарядно устройство. В противен случай има риск от повреда и пожар.

Неправилното изхвърляне на батериите може да доведе до сериозно замърсяване на околната среда. Спазвайте местните разпоредби, когато изхвърляте батерийния модул.

След всяка употреба презареждайте батерията. Това ще удължи нейния живот.

ОПАСНОСТ!

Батерийната клетка съдържа запалими и опасни вещества. Неправилното боравене може да доведе до пожар, дим, експлозия и сериозно нараняване или имуществени щети. Винаги четете и спазвайте следните забранени действия. Носете подходящо защитно оборудване преди извършване на действия, свързани с батерията.

Дръжте батерията далеч от бебета и деца, за да избегнете злополуки. Ако батерията се използва от по-малки деца, възрастен трябва да им обясни метода за правилно боравене и мерките за безопасност преди употреба, както и винаги трябва да се гарантира целостта на батерията.

Да се използва само специално зарядно устройство и батерията да се зарежда само по подходящ начин. Не зареждайте батерията направо в електрически контакт или в запалка на автомобил. Не оставяйте батерията да се зарежда без надзор.

- Не зареждайте батерията с разменени полюси.
- Не оставяйте батерията в близост до огън или източник на топлина и не хвърляйте батерията в огъня.
- Не зареждайте и не използвайте батерията в автомобил или подобно място, където вътрешната температура може да надвиши 50°C.
- Не мокрете, не потапяйте и не хвърляйте батерията във вода/морска вода и др.
- Не предизвиквайте късо съединение и не свързвайте положителния (+) и отрицателния (-) терминал с метални предмети. Не съхранявайте батерията в джоб или торба заедно с метални предмети, като ключове, колиета, фиби, монети или болтове.
- Не пробивайте батерията с остър предмет, като игла или отвертка.
- Не нагрявайте част от батерията с нагорещен предмет, като ютия.
- Не удряйте с тежки предмети, като чук, тежест. Не стъпвайте върху батерията и не я хвърляйте или изпускайте, за да избегнете механичен удар. Силно деформирана батерия да не се използва.

- Не демонтирайте батерията и не променяйте нейния дизайн, включително електрическата верига.
- Не запоявайте батерията директно и не използвайте и не монтирайте стари и нови батерии заедно.
- Не поставяйте батерията в микровълнова фурна, сушилна и контейнер под високо налягане.
- Не използвайте и не монтирайте батерии на други производители, различни видове и/или модели батерии, като и сухи батерии, никел-метални водородни батерии или никел-кадмиеви батерии.

Дръжте далеч от огън в случай на протичане или неприятен аромат. Ако течност попадне по кожата или дрехите Ви, измийте незабавно обилно с вода. Ако от батерията протече течност и попадне в очите Ви, не ги търкайте, измийте незабавно с вода и потърсете незабавно лекарска помощ. Ако клемите на батерията се замърсят, избършете със суха кърпа преди да използвате батерията.

Покрийте терминалите с подходящо изолационно тиксо преди да изхвърлите батерията.

Преди да използвате/инсталирате/премахнете батерията или да използвате зарядното устройство, винаги четете ръководството и изпълнявайте предпазните мерки при боравене.

Сменете батерията, когато времето на работа на батерията стане по-кратко от обикновено.

Ако батерията трябва да се съхранява продължително време, извадете я и я съхранявайте на място с ниска влажност и температура.

По време на зареждане, използване и съхранение на батерията, дръжте я далеч от предмети с материали със статично електричество.

Да не се използват непрезаредими батерии за смяна.

Батерията трябва да се извади от уреда преди да се изхвърли.

Уредът трябва да е изключен от захранващата мрежа, когато се отстранява батерията.

Батерията да се изхвърли по безопасен начин.

Да не се използва батерията, в случай че се образува статично електричество (над 100V). Защитната верига на батерията може да се повреди.

Не отстранявайте батерията. Отстраняването на батерията е сложно и може да промени работата на машината. Трябва да се свържете с оторизиран сервизен център за работа с батерията.

Не съхранявайте и не зареждайте батерията при температура извън посочените граници (вж. ръководството). Не пробивайте батерията. Вижте местните закони и разпоредби относно рециклирането и/или изхвърлянето на батериите.

Добре поддържаната батерия ще работи добре и след много дълъг пробег. Зареждайте батерията след всяка употреба и внимавайте да не се изтощи напълно.



ПРЕДУПРЕЖДЕНИЕ!

Дръжте далеч от огън в случай на протичане или неприятен аромат. Ако течност попадне по кожата или дрехите Ви, измийте незабавно обилно с вода. Ако от батерията протече течност и попадне в очите Ви, не ги търкайте, измийте незабавно с вода и потърсете незабавно лекарска помощ. Ако клемите на батерията се замърсят, избършете със суха кърпа преди да използвате батерията.

Покрийте терминалите с подходящо изолационно тиксо преди да изхвърлите батерията.

Преди да използвате/инсталирате/премахнете батерията или да използвате зарядното устройство, винаги четете ръководството и изпълнявайте предпазните мерки при боравене.

Сменете батерията, когато времето на работа на батерията стане по-кратко от обикновено.

Ако батерията трябва да се съхранява продължително време, извадете я и я съхранявайте на място с ниска влажност и температура.

По време на зареждане, използване и съхранение на батерията, дръжте я далеч от предмети с материали със статично електричество.

Да не се използват непрезаредими батерии за смяна.

Батерията трябва да се извади от уреда преди да се изхвърли.

Уредът трябва да е изключен от захранващата мрежа, когато се отстранява батерията.

Батерията да се изхвърли по безопасен начин.

Не се опитвайте да разглобявате батерията. Не докосвайте клемите на батерията. Не демонтирайте и не пробивайте корпуса.

Дръжте клемите на батерията далеч от метални предмети, за да предотвратите късо съединение. Риск от пожар и токов удар. Не зареждайте и не използвайте батерията, ако е повредена или има следи от вода.

В случай на злополука или повреда: Моля, свържете се с оторизиран сервиз във Вашата държава.

Потребителят трябва да се свърже с оторизирано или специализирано обслужване на клиенти.

X. Зареждане/разреждане и съхранение на батерията

 **Внимание: винаги спазвайте следното съобщение.**

Използвайте само оригиналното зарядно устройство. Неправилната употреба може да доведе до нараняване или имуществени щети. Гаранцията не важи при щети в следствие на използването на неоригинално зарядно устройство.

Не зареждайте в близост до течност/източник на огън. Винаги избягвайте запалими субстанции. Не оставяйте устройството без надзор по време на зареждане.

Не зареждайте, ако портът или кабелът за зареждане са мокри.

Не зареждайте и не използвайте батерията, ако е повредена или има следи от вода.

Интерфейсът за зареждане е със специално гнездо. Не вкарвайте конектора със сила, защото това може да повреди устройството.

Индикаторът на зарядното устройство е червен, когато батерията се зарежда. Индикаторът става зелен, когато зареждането приключи.

Отстранете зарядното устройство, когато индикаторът стане зелен. Не зареждайте твърде много и не разреждайте докрай, защото това ще причини необратими щети върху батерията или имуществени щети. Ако индикаторът на зарядното устройство стане зелен веднага по време на зареждане след управление, изключете зарядното устройство и позволете на батерията да се охлади преди да я презаредите. Това е нормално за интелигентна защита поради високата температура на батерията. Зареждането може да започне след охлаждане на батерията.

Спрете зареждането и изключете зарядното устройство, ако батерията не е напълно заредена след препоръчителния период

от време. Свържете се с обслужване на клиенти за допълнителна информация.

Портът за зареждане трябва да се покрие с прикрепеното гумено капаче след зареждане.

Винаги бъдете внимателни при боравене с батерията.

Спрете да използвате батерията, ако тя стане необичайно гореща, има мирис, обезцветена е, деформирана е или е в друго необичайно състояние по време на употреба, зареждане или съхранение.

Батерията може да се използва в следния температурен диапазон. Да не се надвишава този диапазон.

Работна температура: -10-60°C (производителността на батерията варира според температурата)

Температура на зареждане: 10-45°C

Температура при съхранение и транспортиране: -10-45°C

Влажност при съхранение: 10-80%

XI. Информация за употреба

Име на продукта	Електрическа тротинетка Acer ES, серия 5
Модел	AES015
Размери в сгънато положение	118Д x 49Ш x 125В (cm)
Размери в разгънато положение	118Д x 49Ш x 55В (cm)
Тегло, вкл. батерията	18,5 kg
Мотор	350W
Батерия	15 Ah
Тип на батерията	литиево-йонна
Производител на батерията	TIANHONG
Зареждане	42V/2,0A
Производител на адаптера: FUYUANDIAN, модел №: FY-4202000	
Време за пълно зареждане	4 часа
Максимална скорост	20 km/h или 25 km/h (в зависимост от разпоредбите на държавата)
Максимално разстояние без зареждане	60 km
Регулиране на скоростта	да
Режими на скоростта	3
Ниво на режими на скоростта	0-6 km/h; 0-10 km/h; 0-20 или 25 km/h (в зависимост от разпоредбите на държавата)
Механизъм на сгъване	Да
Основен материал	платформа от алуминиева сплав, предна тръба от стомана
Макс. натоварване	до 100 kg
Хлабина	11 cm
Кормило с регулируема височина	не

Спирачки	предна електронна спирачка и задна дискова спирачка
Дисплей	LED дисплей
Амортизьор	Да
Гуми	твърди гуми
Материал на гумите	гума
Задвижващ механизъм	Предно предаване
Диаметър на гумата	10"
Водонепропускливост	IPX4
Светлоотразители	да
Фарове	да
Приложение	не
Звуков сигнал	да
Подсветка	да
Bluetooth	да
Функция за катерене	10°

XII. Други

1. Датата на производство е посочена върху етикета на продукта

2.  Съхранение

Съхранявайте този продукт на сухо, студено и безопасно място. Да се избягва влага и висока температура. Влажността може да причини повреда на електрическите компоненти. Когато литиевата батерия спре да работи, свържете се с местната служба за рециклиране и изхвърлете литиевата батерия в съответствие с националните и местните закони и разпоредби.

- Работна температура: -10-60°C
- Температура на зареждане: 10-45°C
- Температура при съхранение и транспортиране: -10-45°C
- Влажност при съхранение: 10-80%

3. Този продукт да не се изхвърля заедно с битовите отпадъци. Рециклирайте в съответствие с местните разпоредби, за да намалите замърсяването на околната среда или се свържете с кметството или с местната служба за изхвърляне на отпадъци.

4. 1) Устройствата не са предназначени за употреба на височина над 2000 m над морското равнище.

2) Продължителното излагане на UV лъчи, дъжд и климатичните условия може да повреди корпуса. Да се съхранява на закрито, когато не се използва.

3) ПРЕДУПРЕЖДЕНИЕ - Риск от пожар - Няма части, които могат да се обслужват от потребителя.

Декларация за съответствие на ЕС

Ние,

Acer Incorporated

8F, 88, Sec. 1, Xintai 5th Rd., Xizhi, New Taipei City 221, Taiwan

и

Acer Italy s.r.l.

Viale delle Industrie 1/A, 20044 Arese (MI), Italy

Tel.: +39-02-939-921, факс: +39-02 9399-2913

www.acer.it

Продукт:	Електрическа тротинетка Acer ES, серия 5
Търговско наименование:	acer
Номер на модела:	AES015
SKU номер:	AES015 *****
	(****)=0-9, a-z, A-Z или празно)

Ние, Acer Incorporated, с настоящото декларираме на своя отговорност, че продуктът, описан по-горе, изпълнява изискванията на приложимите закони за хармонизация на ЕС: Директива за машините 2006/42/ЕО и Директива за ограничението на опасните вещества 2011/65/ЕС. Прилагат се следните хармонизирани стандарти и/или други приложими стандарти:

EN 17128:2020

EN 301 489-17 V3.2.4

EN 300 328 V2.2.2

EN 62479:2010

EN 301 489-1 V2.2.3

EN IEC 63000:2018

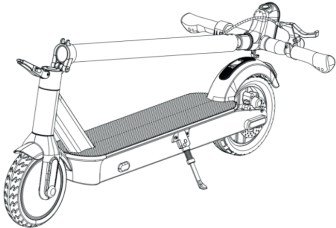




Година, от която се поставя етикета на CE - 2022 г.



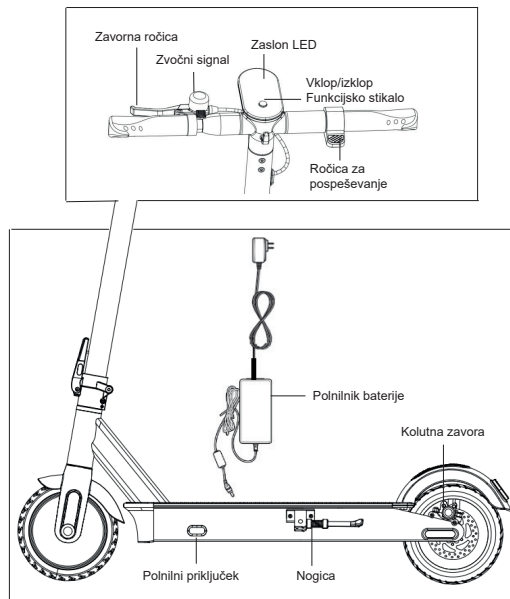
RU Jan / Старши мениджър
Acer Incorporated (Taipei, Taiwan)

5/16/2022
Дата

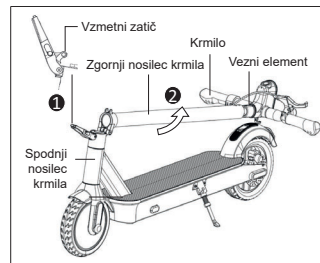
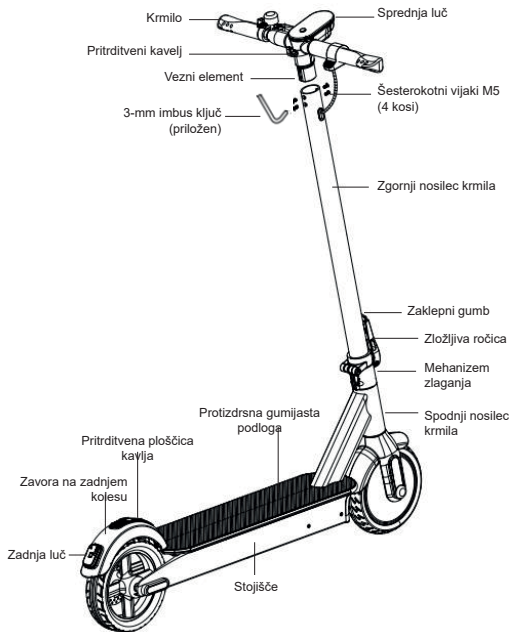
I. Vsebina paketa

Skiro *1	
3-mm imbus ključ *1	
Navodila za uporabo *1	
Polnilnik baterije *1	
Samonavojni vijak M5*14L *4 kosi	

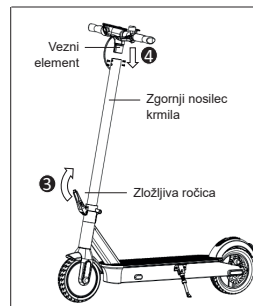
II. Deli



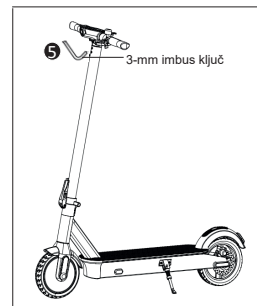
III. Sestavljanje



- 1 Povsem odprite zložljivo ročico, da se prikaže vzmetni zatič.
- 2 Dvignite zgornji nosilec krmila skupaj z veznim elementom in krmilom, tako da bo v višini s spodnjim nosilec krmila.



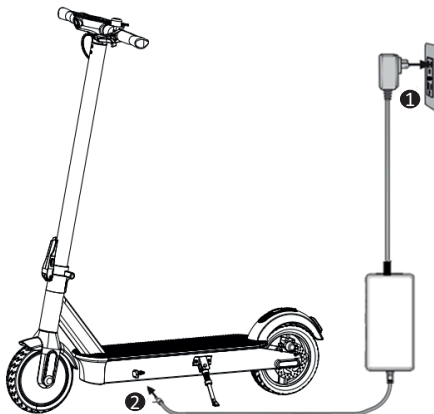
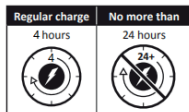
- 3 Zaklenite zložljivo ročico.
- 4 Vstavite vezni element v zgornji nosilec krmila.



- 5 S priloženim 3-mm imbus ključem privijte vse štiri šesterokotne vijake na zgornji nosilec krmila.

IV. Polnjenje baterije

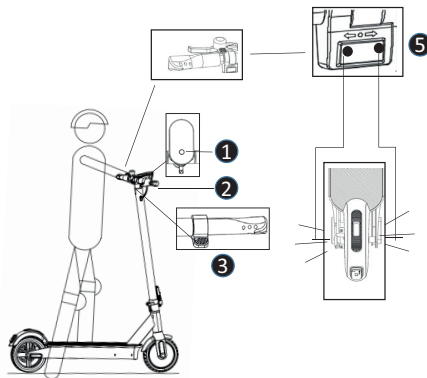
Opomba: lučka polnilnika med polnjenjem sveti **rdeče**, ko je polnjenje končano, pa začne svetiti **zeleno**.



V. UPORABA

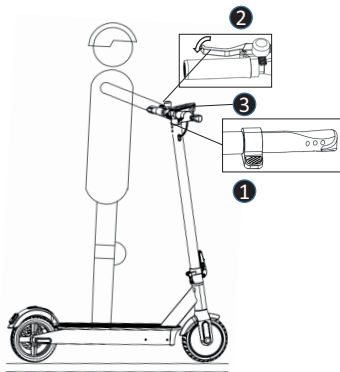
Zagon skiroja

1. Pritisnite gumb za vklop in ga pridržite tri sekunde, da vklopite skiro.
Za vklop/izklop luči na kratko pritisnite stikalo za vklop.
Za preklon med hitrostmi dvakrat zapored pritisnite stikalo za vklop.
Za preklon med km/h in mp/h trikrat zapored pritisnite gumb za vklop.
2. Dobro primite krmilo z obema rokama.
3. Z eno nogo stopite na stojšče, z drugo pa se odrinite od tal, da pomagata pri pospeševanju, nato pa na rahlo stisnite ročico za pospeševanje.
4. Po zagonu z obema nogama stopite na stojšče.
5. Vklomite smernik (izbirno).



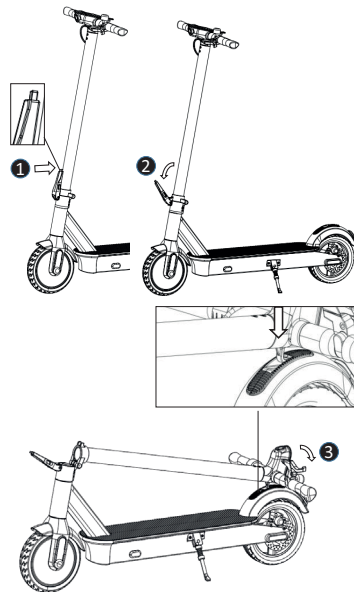
Zaustavitev skiroja

1. Spustite ročico za pospeševanje.
2. Zavirajte tako, da stisnete sprednjo ročno zavorno ročico.
3. Ko skiro ni v uporabo, izklopite gumb za vklop.



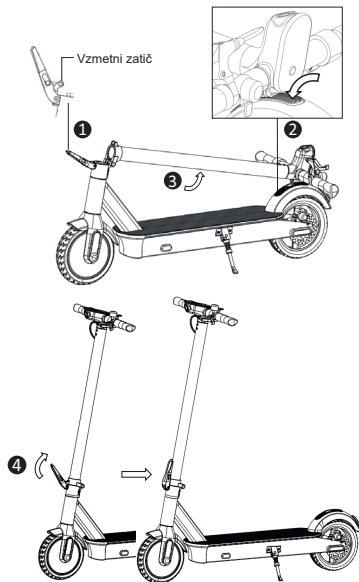
Zlaganje skiroja

1. Pritisnite zaklepni gumb.
2. Odklenite zložljivo ročico.
3. Zložite zgornji nosilec krmila in zaklenite pritrditveni kavelj na pritrženo ploščico na zavori na zadnjem kolesu.



Razpiranje skiroja

1. Povsem odprite zložljivo ročico, da se prikaže vzmetni zatič.
2. Pritisnite pritrditveno ploščico kavlja, da sprostite pritrditveni kavelj.
3. Dvignite zgornji nosilec krmila.
4. Zaklenite zložljivo ročico.



VI. Način odpravljanja težav

Prikaz kode napake in ukrepanje

Koda napake	Prikaz	Ukrep
0E	Nizko stanje baterije	Povsem napolnite baterijo.
1E	Prekomerno napajanje baterije	Odstranite polnilnik. Če koda napake ne izgine, se obrnite na pooblaščen servis.
2E	Napaka kontrolnika	Obrnite se na pooblaščen servis.
3E	Previsoka temperatura kontrolnika, zažene zaščitni program	Trenutno ne uporabljajte skiroja. Počakajte, da temperatura pade in poskusite znova.
4E	Signalna linija je morda ohlapna ali prekinjena	Obrnite se na pooblaščen servis.
5E	Ohlapna povezava med motorjem in kontrolnikom	Obrnite se na pooblaščen servis.
6E	Napaka pospeševalnika	Obrnite se na pooblaščen servis.
7E	Napaka zavornega sistema	Obrnite se na pooblaščen servis.

Prikaz kode napake in ukrepanje		
8E	Tokovna preobremenitev, zaženite zaščitni program	Zaustavite skiro in ga znova zaženite pozneje. Če koda napake ne izgine, se obrnite na pooblaščen servis.
9E	Blokirani rotor motorja	Zaustavite skiro in ga znova zaženite pozneje. Če koda napake ne izgine, se obrnite na pooblaščen servis.

Baterije ni mogoče napolniti

Ukrep:

1. Vtič ni pravilno vstavljen.
2. Polnilnik je poškodovan; uporabite novega.
3. Napeljava baterije je ohlapna; znova povežite priključke.

Nezadostna zagotovljena kilometrina po polnjenju

Ukrep:

1. Baterija ni zadosti napolnjena; povsem jo napolnite.
2. Vožnja navzgor ali v močnem čelnem vetru, prevelika obremenitev, slaba cestna površina in nizka temperatura.
3. Priključki med baterijo in polnilnim priključkom so ohlapni; znova povežite priključke.

Prenizka hitrost

Ukrep:

1. Napetost baterije je prenizka; povsem napolnite baterijo.

Zavora ne deluje

Ukrep:

1. Zavorni kabel je predolg; znova ga zategnite.
2. Če je zavorna ploščica poškodovana, jo zamenjajte.

Opomba: če odkrijete napačno delovanje, se obrnite na pooblaščen servis. Skiroja ne popravljajte ali spreminjajte sami, saj lahko s tem omejite veljavnost garancije in povzročite poškodbe.

VII. VOŽNJA IN VARNOST

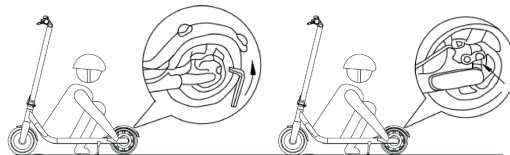
Za uporabo naprave je treba opraviti učni postopek. Uporaba brez učnega postopka lahko povzroči poškodbe. Uporabljajte zaščitne elemente, da preprečite poškodbe. Ko dokončate te korake, lahko vklopite električni skiro:



NASTAVITEV ZAVORE

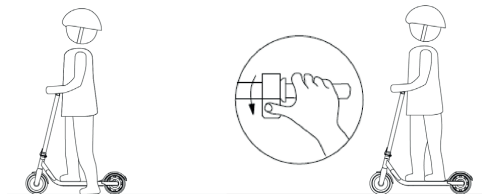
Pred vsako vožnjo preglejte zavoro. Če imate občutek, da je zavora preveč zategnjena, z obračanjem imbus klučča v obratni smeri urinega kazalca popustite vijake na tlačni plošči na sedlu kolutne zavore, sprostite zavorni vod, da nekoliko skrajšate vidno dolžino, nato pa privijte vijake tlačne ploščice. Če imate občutek, da je zavora preveč popuščena, popustite vijake na tlačni ploščici, povlecite zavorni kabel, da ga nekoliko podaljšate, nato pa zaklenite vijake na tlačni ploščici.

OPOZORILO! Z močnim zaviranjem tvegate, da pride do hude poškodbe zaradi izgube oprijema in padcev. Vzdržujte srednjo hitrost in bodite pozorni na morebitne nevarnosti.



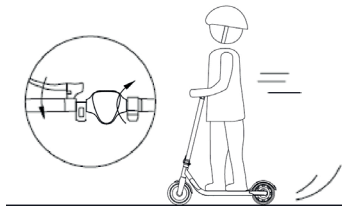
UPORABA

Eno nogo postavite na stojišče, drugo pa na tla. Z nogo se oprite ob tla in začnite pospeševati, ko hitrost doseže 3 km/h. Drugo nogo držite na stojišču in ustrezno pospešujte ali vzdržujte določeno hitrost. To dejanje je potrebno, da se lahko zaradi varnosti oprete na nogo.

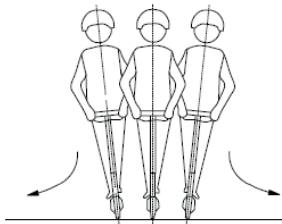


KONSTANTNA HITROST

Če je ročica za pospeševanje stisnjena, je hitrost konstanta, da se zagotovi bolj udobna vožnja. To funkcijo lahko preključete z aktiviranjem zavore.

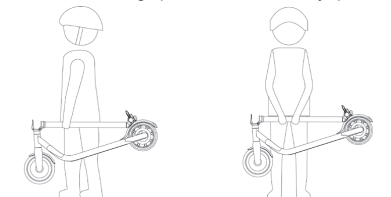


Poiščite ravnotežno držo in jo ves čas nadzorujte:



ZLAGANJE IN PREVOZ

Ko je električni skiro zložen, ga primite za držalo, kot je prikazano na sliki:



! Opozorila: neupoštevanje teh navodil lahko povzroči hude poškodbe.

- Skiroja NE vozite v dežju.
- Pazite, da se NE zmočite.
Pazite na glavo v prehodih.
Pri vožnji čez hitrostne ovire, prage vrat v dvigalih, po luknjastih cestah in drugih neravnih površinah vzdružite hitrost od 5 do 10 km/h (3,1–6,2 mp/h). Tem površinam se lažje prilagodite tako, da nekoliko upognete koleno.
- Stopala NE držite na zadnjem odbijaču.
- Pri hoji z električnim skirojem NE pritiskajte ročice za pospeševanje.
Preprečite stik pnevmatike/kolesa z ovirami.
- Na krmilo NE polagajte težkih predmetov.
- Električnega skiroja NE vozite samo z eno nogo.
- NE vozite po javnih površinah, hitrih cestah ali avtocestah.
- Ročice pri vožnji z visoko hitrostjo NE obračajte sunkovito.
- NE vozite po stopnicah navzgor in navzdol ali preskakujte ovir.
- Med vožnjo NE dvigujte rok s krmila. Ne vozite samo z eno roko.

- NE vozite čez luže ali katere koli druge (vodne) ovire. V tem primeru zmanjšajte hitrost in zaobidite oviro.
- NE vozite sopotnikov. Električni skiro je namenjen samo za eno osebo.
- NE nosite otroka.
- NE vozite, če ste noseči.
- Med upravljanjem električnega skiroja NE uporabljajte mobilnega telefona ali nosite slušalk.
- Po končani vožnji se NE dotikajte motorja v pestu, ker je lahko vroč.
- Vedno imejte obe roki na krmilu, sicer tvegate hudo poškodbo zaradi izgube ravnotežja in padcev.
- Skiro je namenjen samo za uporabo v suhem vremenu.
- Ne priporočamo uporabe na javnih površinah.
- Med hitro vožnjo nikoli ne delajte ostrih zavojev.
- Skiroja ne zaganjajte ali zaustavljajte nepričakovano.
- Prepričajte se, da je hitrost električnega skiroja varna za vas in druge udeležence in bodite pripravljeni, da lahko kadar koli med vožnjo zaustavite.
- Med vožnjo električnega skiroja ohranjajte razdaljo od drugih, da preprečite trke.
- Pri zavijanju morate uporabiti težišče svojega telesa; nenadna sprememba težišča lahko povzroči poškodbo.
- Redno preverjajte, ali so ležaji morda mokri in umazani. Ležaje posušite in očistite. Po potrebi jih po čiščenju naoljite. V ta namen uporabljajte samo ustrezna maziva. Preverite tudi krmilni položaj, da se prepričate o varnosti naprave.
- Ne opravljajte nobenih sprememb, razen po navodilih proizvajalca.
- Samozaporne matice in drugi samozaporni spoji lahko izgubijo svojo učinkovitost.
- Izogibajte se vožnji po strminah.

VIII. ČIŠČENJE IN VZDRŽEVANJE

Ta električni skiro lahko uporabljate kot prevozno sredstvo in kot takšno zahteva, da vzdržujete vse njegove komponente, ki se lahko obrabijo in niso vključene v garancijo.

ČIŠČENJE

Pred čiščenjem se prepričajte, da je električni skiro izklopljen, da je polnilni kabel odklopljen in da je gumijast pokrovček priključka za polnjenje dobro zaprt, sicer lahko pride do poškodbe elektronskih komponent. Pred čiščenjem skiro vedno najprej odklopite iz polnilnika, pokrijte voodoodporni polnilni vtič, odklopite napajanje in preprečite stik tekočine z baterijo, motorjem in drugimi elektronskimi deli, da preprečite nepredvidene nevarnosti. Za čiščenje skiroja ne uporabljajte visokotlačnega vodnega curka in ga ne namakajte v vodi.

Električni skiro očistite z vlažno krpo. Če morate postrgati umazanijo, uporabite mehko krtačo, nato pa vlažno krpo.

Ne pozabite pokriti polnilnega priključka, da preprečite težave z elektronskimi komponentami.

Ne uporabljajte alkohola, bencina, kerozina ali drugih hlapnih ali korozivnih kemičnih sestavin. Z njimi lahko poškodujete površino in notranjo strukturo električnega skiroja. Prav tako ne uporabljajte tlačne vodne pištole ali tekoče vode.

SHRANJEVANJE

Ko električni skiro ni v uporabi, ga hranite v hladnem, suhem prostoru. Skiroja ne puščajte zunaj, saj ni namenjen za uporabo v mokrih okoljih, v bližini korozivnih sredstev, kot so morska voda, pristanišča itd. Prav tako ne priporočamo daljšega izpostavljanja visokim temperaturam, ki so posledica neposredne sončne svetlobe.

IX. RAVNANJE Z BATERIJO IN PREPOVEDANA DEJANJA

Ne uporabljajte drugih modelov ali znamk baterije. Uporabljajte samo originalno baterijo.

Baterije ne hranite v okolju s temperaturami, ki presegajo 50 °C ali so pod -20 °C (v poletnih mesecih na primer ne pospravite električnega skiroja v prtljažnik avtomobila), in je ne postavljajte na mesta v bližini ognja. V tem primeru lahko pride do okvare baterije, pregrevanja in celo tveganja za požar.

Baterije nikoli ne izpraznite do konca. Priporočamo, da jo napolnite, ko je v njej še nekaj električne energije. S tem boste podaljšali življenjsko dobo baterije. Če vozite električni skiro v zelo hladnih ali toplih okoljih, je lahko čas uporabe baterije krajši. Ne gre za napako baterije, pač pa za njeno normalno delovanje.

Če skiro ni v uporabi več kot 30 dni, povsem napolnite baterijo in jo shranite v hladen, suh prostor, nato pa jo povsem napolnite vsakih 60 dni. Če ne upoštevate teh navodil, lahko pride do poškodbe baterije, ki ni vključena v garancijo.

Prostora za baterijo ni dovoljeno razstavljati. Ta del lahko odprejo samo na uradnem tehničnem servisu ali v ustreznih delavnicah.

Za polnjenje uporabljajte samo originalni polnilnik, sicer lahko pride do poškodbe ali požara.

Neustrezno odlaganje rabljenih baterij lahko povzroči večje onesnaženje okolja. Pri odlaganju tega baterijskega paketa upoštevajte lokalne predpise.

Po vsaki uporabi napolnite baterijo, saj boste s tem podaljšali njeno življenjsko dobo.

NEVARNOST!

Baterijska celica vsebuje vnetljive in nevarne snovi. Napačno ravnanje lahko povzroči požar, dim, eksplozijo in hude telesne poškodbe ali izgubo lastnine. Preberite naslednja prepovedana dejanja in jih vedno upoštevajte in si pred kakršnim koli postopkom, povezanim z baterijo, nadenite ustrezno zaščitno opremo.

Baterijo hranite zunaj dosega dojenčkov in otrok, da preprečite nesreče. Če baterijo uporabljajo mlajši otroci, jim mora njihov skrbnik razložiti, kako se jo pravilno uporablja in jih podučiti o previdnostnih ukrepih pred uporabo ter se vedno prepričati, da je baterija v dobrem stanju.

Uporabljajte samo namenski polnilnik in polnite baterijo samo na določen način. Baterije ne polnite neposredno v električni vtičnici ali v avtomobilskem polnilniku za vžigalnik. Baterija naj se ne polni brez nadzora.

- Pazite, da baterija pri polnjenju ne bo narobe obrnjena.
- Baterije ne puščajte v bližini ognja ali vira toplote in je ne mečite v ogenj.
- Baterije ne polnite ali uporabljajte v avtu ali podobnem prostoru, kjer lahko temperatura preseže 50 °C.
- Baterije ne potaplajte in mečite v sladko/slano vodo, ne zmakajte itd.
- Pazite, da ne povzročite kratkega stika ali do stika pozitivnega (+) in negativnega (-) priključka s kovinskim predmetom. Baterije ne hranite v žepu ali torbi skupaj s kovinskimi predmeti, kot so ključi, ogrlice, lasne sponke, kovanci ali vijaki.
- Baterije ne prebadajte z ostrim predmetom, kot je šivanka ali izvijač.
- Delnega območja baterije ne segrevajte s segretim predmetom, kot je spajkalnik.
- Po bateriji ne udarjajte s težkimi predmeti, kot je kladivo ali utež. Ne hodite po bateriji, ne mečite je in pazite, da vam ne pade, da preprečite mehanske udarce. Ne uporabljajte deformirane baterije.

- Baterije ne razstavljajte ali spreminjajte njene zasnove, vključno z električnim vezjem.
- Baterije na varite neposredno in skupaj ne uporabljajte ali sestavljajte starih in novih baterij.
- Baterije ne postavljajte v mikrovalovno pečico, sušilnik ali visokotlačno posodo.
- Baterije ne uporabljajte ali sestavljajte skupaj z baterijami drugih znamk, vrst in/ali modelov, kot so suhe baterije, nikelj-kovinske vodikove baterije ali nikelj-kadmijeve baterije.

Če zaznate uhajanje ali neprijeten vonj, baterijo odmaknite od ognja. Če tekočina iz baterije zaide na kožo ali oblačila, jih dobro sperite s tekočo vodo. Če vam tekočina iz baterije zaide v oči, jih ne drgnite, pač pa jih sperite s čisto vodo in takoj poiščite zdravniško pomoč. Če ne priključkih baterije opazite umazanijo, jih pred uporabo baterije obrišite s suho krpo.

Preden baterijo odvržete, pokrijte priključke z ustreznim izolacijskim trakom.

Preden uporabite/namestite/odstranite baterijo ali uporabite polnilnik, vedno preberite uporabniški priročnik in upoštevajte previdnostne ukrepe za ravnanje.

Baterijo zamenjajte, ko je njen čas uporabe bistveno krajši kot običajno.

Če morate baterijo shraniti za dlje časa, jo odstranite iz naprave in shranite v prostor z nizko vlažnostjo in temperaturo.

Ko je baterija napolnjena, uporabljena in shranjena, poskrbite, da ne bo v bližini predmetov s statično elektriko.

Za zamenjavo ne morete uporabiti baterije, ki je ni mogoče polniti.

Preden se baterija razstavi, jo je treba odstraniti iz naprave.

Pri odstranjevanju baterije morate napravo odklopiti iz napajalnega omrežja.

Pri odlaganju baterije je treba upoštevati varnostne ukrepe.

Baterije ne uporabljajte, če ustvarja statično elektriko (več kot 100 V), sicer lahko pride do poškodbe zaščitnega vezja.

Baterije ne odstranjujte. Odstranitev baterije je zapleten postopek, ki lahko spremeni delovanje naprave. Za vsa dela na bateriji se morate obrniti na pooblaščen servis.

Baterije ne hranite ali polnite pri temperaturah, ki so izven navedenih omejitev (glejte ta navodila). Baterije ne luknjajte. Glede recikliranja in/ali odlaganja baterije upoštevajte lokalno zakonodajo in predpise.

Ustrezno vzdrževana baterija zagotavlja dobro delovanje tudi po veliko prevoženih kilometrih. Baterijo napolnite po vsaki vožnji in pazite, da se ne izprazni povsem.



OPOZORILO!

Če zaznate uhajanje ali neprijeten vonj, baterijo odmaknite od ognja. Če tekočina iz baterije zaide na kožo ali oblačila, jih dobro sperite s tekočo vodo. Če vam tekočina iz baterije zaide v oči, jih ne drgnite, pač pa jih sperite s čisto vodo in takoj poiščite zdravniško pomoč. Če ne priključkih baterije opazite umazanijo, jih pred uporabo baterije obrišite s suho krpo.

Preden baterijo odvržete, pokrijte priključke z ustreznim izolacijskim trakom.

Preden uporabite/namestite/odstranite baterijo ali uporabite polnilnik, vedno preberite uporabniški priročnik in upoštevajte previdnostne ukrepe za ravnanje.

Baterijo zamenjajte, ko je njen čas uporabe bistveno krajši kot običajno.

Če morate baterijo shraniti za dlje časa, jo odstranite iz naprave in shranite v prostor z nizko vlažnostjo in temperaturo.

Ko je baterija napolnjena, uporabljena in shranjena, poskrbite, da ne bo v bližini predmetov s statično elektriko.

Za zamenjavo ne morete uporabiti baterije, ki je ni mogoče polniti.

Preden se baterija razstavi, jo je treba odstraniti iz naprave.

Pri odstranjevanju baterije morate napravo odklopiti iz napajalnega omrežja.

Pri odlaganju baterije je treba upoštevati varnostne ukrepe.

Baterije ne poskušajte razstavljati. Ne dotikajte se kontaktov baterije. Ne razstavljajte ali luknjajte ohišja.

Pazite, da kontakti baterije ne pridejo v stik s kovinskimi predmeti, da preprečite kratki stik. Tveganje za požar in električni udar. Baterije ne polnite ali uporabljajte, če je poškodovana ali če na njej opazite sledi vode.

V primeru poškodbe ali okvare: se obrnite na pooblaščenega serviserja v svoji državi.

Uporabnik se mora obrniti na pooblaščen ali specializirano storitev za stranke.

X. Polnjenje/praznjenje in shranjevanje baterije



Opozorilo: vedno upoštevajte naslednje sporočilo.

Uporabljajte samo originalni polnilnik. Napačna uporaba lahko povzroči telesne poškodbe in izgubo lastnine. Garancija ne krije nobene odgovornosti, ki je posledica uporabe neoriginalnega polnilnika.

Baterije ne polnite v bližini vira tekočine/ognja in se vedno izogibajte vnetljivim snovem. Naprave med polnjenjem ne puščajte brez nadzora. Naprave ne polnite, če je polnilni priključek ali kabel moker.

Baterije ne polnite ali uporabljajte, če je poškodovana ali če na njej opazite sledi vode.

Na voljo je polnilni vmesnik s posebno režo. Priključka ne vstavljajte na silo, saj lahko poškodujete napravo.

Med polnjenjem baterije indikator polnilnika sveti rdeče. Ko je polnjenje končano, indikator sveti zeleno.

Ko začne indikator polnilnika svetiti zeleno, odstranite polnilnik. Prekomerna napolnjenost ali prevelika izpraznjenost lahko povzroči nepopravljivo poškodbo baterije ali izgubo lastnine. Če začne indikator polnjenja med polnjenjem takoj po končani vožnji svetiti zeleno, odklopite polnilnik in počakajte, da se baterija pred polnjenjem ohladi. To je normalen pojav pametne zaščite zaradi previsoke notranje temperature baterije. Polnjenje se lahko začne, ko se baterija ohladi.

Če baterija po naslednjem priporočenem času ni povsem napolnjena, ustavite polnjenje in odklopite polnilnik. Za nadaljnje informacije se obrnite na storitev za stranke.

Polnilni priključek morate po vsakem polnjenju pokriti s priloženim gumijastim pokrovom.

Z baterijo vedno ravnajte previdno.

Baterijo prenehajte uporabljati, če se med uporabo, polnjenjem ali shranjevanjem nenormalno segreje oziroma opazite vonj, razbarvanje, deformacijo ali drugo nenormalno stanje.

Baterijo lahko uporabljate v naslednjih temperaturnih razponih. Teh razponov ne smete preseči.

Delovna temperatura: -10 do 60 °C (zmogljivost baterije je odvisna od temperature)

Temperatura polnjenja: 10 do 45 °C

Temperatura med shranjevanjem in prevozom: -10 do 45 °C

Vlažnost pri shranjevanju: 10-80%

XI. Informacije o uporabi

Ime izdelka	Električni skiro Acer ES Series 5
Model	AES015
Mere v nezloženem stanju	118 D x 49 Š x 125 V (cm)
Mere v zloženem stanju	118 D x 49 Š x 55 V (cm)
Teža z baterijo	18,5 kg
Motor	350 W
Baterija	15 Ah
Vrsta baterije	Litij-ionska
Proizvajalec baterije	TIANHONG
Polnjenje	42 V/2,0 A
Proizvajalec adapterja: FUYUANDIAN, št. modela: FY-4202000	
Čas do polne napoljenosti	4 ure
Največja hitrost	20 km/h ali 25 km/h (odvisno od predpisov v državi)
Največja razdalja brez polnjenja	60 km
Uravnavanje hitrosti	Da
Načini hitrosti	3
Ravni načinov hitrosti	0 do 6 km/h; 0 do 10 km/h; 0 do 20 ali 25 km/h (odvisno od predpisov v državi)
Mehanizem zlaganja	Da
Glavni material	Stojišče iz aluminijeve zlitine, zgornji nosilec krmila iz kovine
Največja obremenitev	Do 100 kg
Razdalja	11 cm
Krmilo z nastavitvijo višine	Ne
Zavore	Sprednja električna zavora in zadnja kolutna zavora

Zaslon	Zaslon LED
Amortizer kolesa	Da
Kolesa	Masivno kolo pnevmatike
Material pnevmatike	Guma
Pogonska enota	Sprednji pogon
Premer kolesa	10"
Vodoodporen	IPX4
Odsevniki	Da
Sprednja luč	Da
Aplikacija	Ne
Zvočni signal	Da
Zadnja luč	Da
Bluetooth	Da
Zmožnost vzpona	10°

XII. Drugo

1. Datum proizvodnje je naveden na nalepki izdelka

2.  Shranjevanje

Ta izdelek hranite v suhem, hladnem in varnem prostoru in se izognite vlagi ter visokim temperaturam. Vlažnost lahko poškoduje električne komponente. Če pride do okvare litijevе baterije, se obrnite na lokalno službo za recikliranje in zavržite litijevо baterijo v skladu z nacionalno ali lokalno zakonodajo in predpisi.

- Delovna temperatura: -10 do 60 °C
- Temperatura polnjenja: 10 do 45 °C
- Temperatura med shranjevanjem in prevozom: -10 do 45 °C
- Vlažnost pri shranjevanju: 10-80%

3. Tega izdelka ne smete odvreči skupaj z drugimi gospodinjskimi odpadki. Reciklirajte ga v skladu z lokalnimi predpisi ali se obrnite na lokalni mestni urad ali službo za odstranjevanje gospodinjskih odpadkov, da zmanjšate vpliv na okolje.

- 1) Naprave niso namenjene za uporabo na višini več kot 2.000 metrov nad morjem.
- 2) Daljša izpostavljenost ultravijoličnim žarkom, dežju in elementom lahko poškoduje material. Ko naprave ne uporabljate, jo hranite v zaprtem prostoru.
- 3) OPOZORILO - Nevarnost požara - Ne vsebuje delov, ki bi jih lahko servisiral uporabnik.



Acer Incorporated
8F, 88, Sec. 1, Xintai 5th Rd., Xizhi
New Taipei City 221, Taiwan

Izjava EU o skladnosti

Družba

Acer Incorporated
8F, 88, Sec. 1, Xintai 5th Rd., Xizhi, New Taipei City 221, Tajvan

in

družba Acer Italy s.r.l.
Viale delle Industrie 1/A, 20044 Arese (MI), Italija
Tel: +39-02-939-921, faks: +39-02 9399-2913
www.acer.it

Izdelek: Električni skiro Acer ES Series 5
Prodajno ime: acer
Številka modela: AES015
Inventarna številka: AES015 *****
številka: (***)=0-9, a-z, A-Z ali presledek)

Družba Acer Incorporated s tem na lastno odgovornost izjavlja, da je izdelek, opisan zgoraj, skladen z ustrežno uskladitveno zakonodajo za Evropsko unijo: Direktiva o strojih 2006/42/ES in Direktiva RoHS 2011/65/EU. Upoštevani so bili spodaj navedeni usklajeni standardi in/ali ustrezni standardi:

<u>EN 17128:2020</u>	<u>EN 301 489-17 V3.2.4</u>
<u>EN 300 328 V2.2.2</u>	<u>EN 62479:2010</u>
<u>EN 301 489-1 V2.2.3</u>	<u>EN IEC 63000:2018</u>

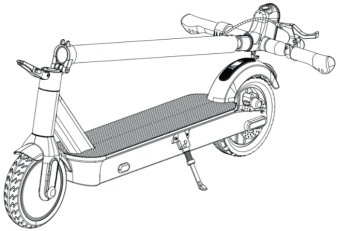




Leto prve uporabe oznaka CE: 2022.



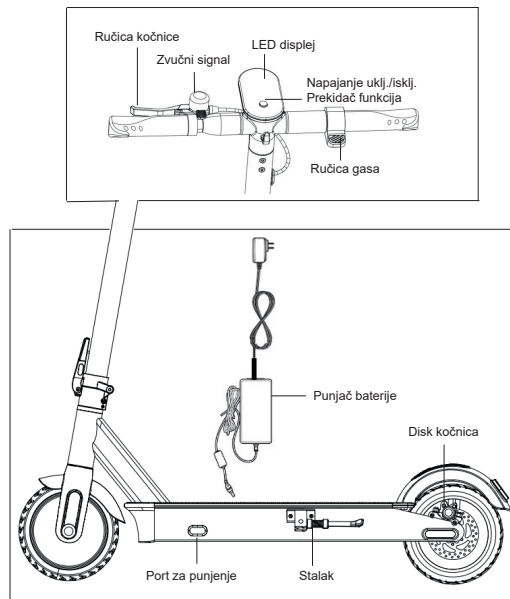
RU Jan / višji vodja
Acer Incorporated (Tajpej, Tajvan)

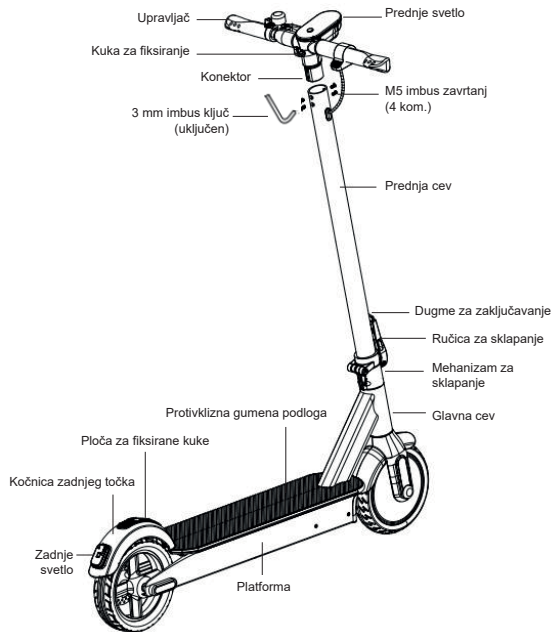
5/16/2022
Datum

I. Sadržaj pakovanja

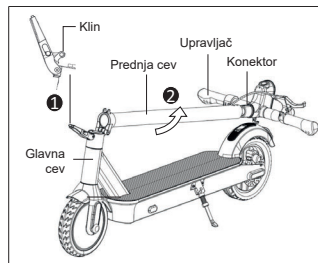
Skuter *1	
3 mm imbus ključ *1	
Uputstvo za korisnika *1	
Punjač baterije *1	
M5*14L imbus zavrtanj *4 KOM.	

II. Delovi

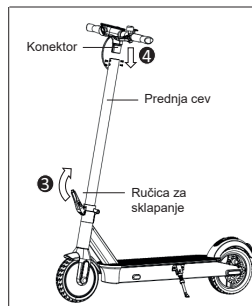




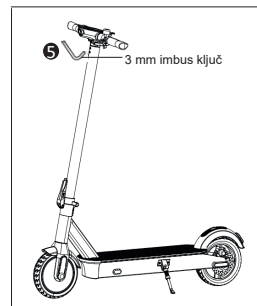
III. Montaža



- ❶ Otvorite ručicu za sklapanje do kraja da biste otkrili klin.
- ❷ Podignite prednju cev zajedno sa konektorom i upravljačem, u ravni sa glavnim cev.



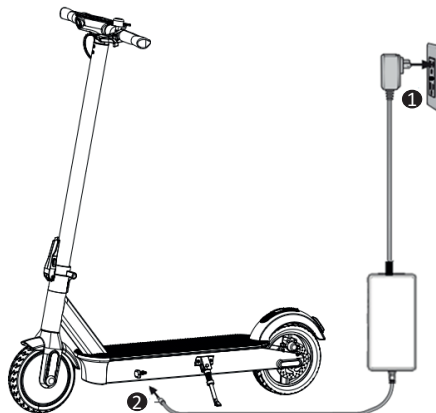
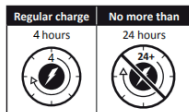
- ❸ Zaključajte ručicu za sklapanje.
- ❹ Umetnite konektor u prednju cev.



- ❺ Pritegnite sva 4 imbus zavrtnja na prednjoj cevi pomoću priloženog imbus ključa od 3 mm.

IV. Punjenje baterije

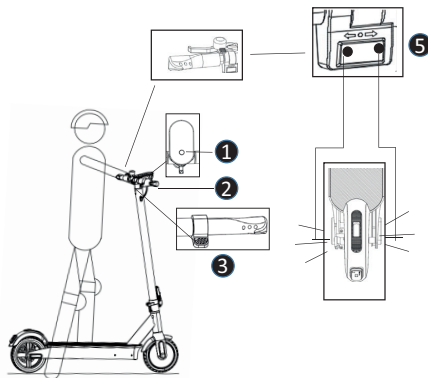
Napomena: Lampica punjača svetli **crveno** kada se puni i postaje **zelena** kada se punjenje završi.



V. UPOTREBA

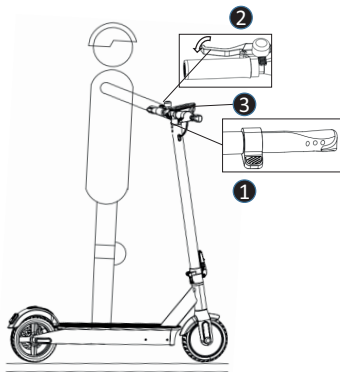
POKRETANJE SKUTERA

1. Pritisnite i držite dugme za napajanje 3 sekunde da biste uključili skuter. Jednom kratko pritisnite dugme za napajanje da biste uključili/isključili svetla. Pritisnite dugme za napajanje neprekidno dva puta da biste promenili regulaciju brzine. Pritisnite dugme za napajanje neprekidno 3 puta da biste se prebacivali između km/h i mp/h.
2. Čvrsto uhvatite upravljač obema rukama.
3. Zakoračite na platformu jednom nogom, drugom nogom se odgurnite o tlo da biste pomogli ubrzavanje i lagano pritisnite ručicu gasa.
4. Zakoračite obema nogama na platformu nakon pokretanja.
5. Pokazivač pravca (opciono).



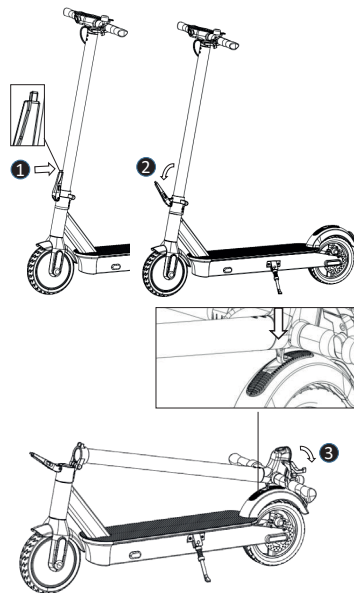
Zaustavljanje skutera

1. Otpustite ručicu gasa.
2. Kočite pritiskom na ručicu prednje ručne kočnice.
3. Pritisnite dugme za napajanje kada ga ne koristite.



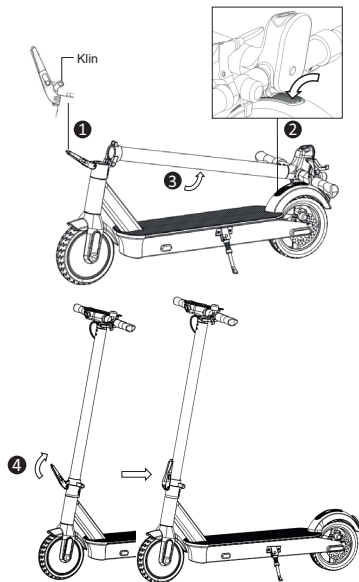
Sklapanje skutera

1. Pritisnite dugme za zaključavanje.
2. Otključajte ručicu za sklapanje.
3. Preklopite prednju cev i zakačite kuku za pričvršćivanje na ploču za pričvršćivanje na kočnici zadnjeg točka.



Rasklapanje skutera

1. Otvorite ručicu za sklapanje do kraja da biste otkrili klin.
2. Pritisnite ploču za fiksiranje kuke da biste oslobodili kuku za fiksiranje.
3. Podignite prednju cev.
4. Zaključajte ručicu za sklapanje.



VI. Otklanjanje problema

Uvod i opis kodova greške

Kod greške	Uvod	Opis
0E	Slaba baterija	Potpuno napunite bateriju
1E	Prepunjena baterija	Uklonite punjač. Kontaktirajte ovlašćeni servisni centar ako kod greške još uvek nije eliminisan.
2E	Kvar kontrolera	Obratite se ovlašćenom servisnom centru.
3E	Previsoka temperatura na kontroleru, pokrenite zaštitni program	Nemojte sada da koristite skuter. Sačekajte da temperatura padne i pokušajte ponovo.
4E	Signalna linija je možda olabavljena ili otkočena	Obratite se ovlašćenom servisnom centru.
5E	Olabavljena veza između motora i kontrolera	Obratite se ovlašćenom servisnom centru.
6E	Kvar akceleratora	Obratite se ovlašćenom servisnom centru.
7E	Kvar kočionog sistema	Obratite se ovlašćenom servisnom centru.

Uvod i opis kodova greške		
8E	Prevelika struja, pokrenite zaštitni program	Zaustavite skuter i ponovo ga pokrenite kasnije. Kontaktirajte ovlašćeni servisni centar ako kod greške još uvek nije eliminisan.
9E	Motor je zaključao rotor	Zaustavite skuter i ponovo ga pokrenite kasnije. Kontaktirajte ovlašćeni servisni centar ako kod greške još uvek nije eliminisan.

Baterija se ne puni

Korektivna mera:

1. Utikač nije pravilno umetnut.
2. Punjač je oštećen, koristite novi punjač.
3. Spoj baterije je labav, ponovo povežite terminale.

Nedovoljna kilometraža nakon punjenja

Korektivna mera:

1. Nedovoljno punjenje, potpuno napunite bateriju.
2. Uzbrdica i jak čeon vetar, veliko opterećenje, loša površina puta i niska temperatura.
3. Terminali povezani između baterije i priključka za punjenje su olabavljeni, ponovo povežite terminale.

Brzina je premala

Korektivna mera:

1. Napon baterije je prenizak, potpuno napunite bateriju.

Kočnica ne radi

Korektivna mera:

1. Kabl kočnice je predugačak, ponovo zategnite kabl kočnice.
2. Ako je kočiona obloga oštećena, zamenite je novom.

Napomena: Kada se otkrije kvar, obratite se ovlašćenom servisnom centru. Ne popravljajte i ne modifikujte skuter sami, to može prouzrokovati ograničenja garancije i povrede.

VII. VOŽNJA I BEZBEDNOST

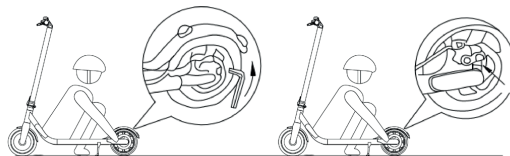
Za korišćenje ovog uređaja neophodan je proces obuke. Njegova upotreba bez pravilnog procesa obuke može izazvati povrede. Koristite zaštitu da biste sprečili oštećenja. Kada završite ove korake, možete da uključite električni skuter:



PODEŠAVANJE KOČNICE

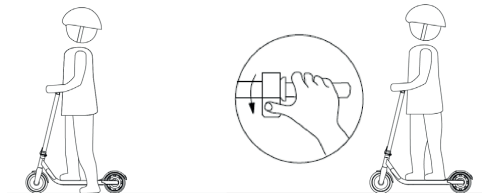
Pre svake vožnje proverite kočnice. Ako osećate da je kočnica previše zategnuta, koristite imbus ključ i okrećite u smeru suprotnom od kazaljke na satu da biste olabavili zavrtnje na potisnoj ploči na ležaju disk kočnice, otpustite kočioni vod da biste malo skratili izloženu dužinu i zategnite zavrtnje potisne ploče. Ako smatrate da je kočnica previše labava, otpustite zavrtnje na potisnoj ploči, povucite kabl kočnice da biste malo produžili dužinu, a zatim učvrstite zavrtnje na potisnoj ploči.

UPOZORENJE! Pri naglom kočenju rizikujete ozbiljne povrede usled gubitka vučne sile i padova. Održavajte umerenu brzinu i pazite na potencijalne opasnosti.



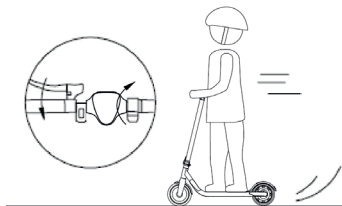
UPOTREBA

Držite jednu nogu na platformi, a drugu na tlu. Odgurnite se nogom o tlo, a kada brzina dostigne 3 km/h počnite da ubrzavate. Držite drugu nogu na platformi i ubrzajte na odgovarajući način ili održavajte određenu brzinu. Ova radnja je neophodna za početak vožnje, radi vaše bezbednosti.

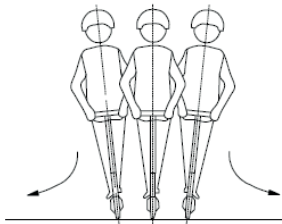


KONSTANTNA BRZINA

Ako držite pritisnutu papučicu gasa, brzina će biti fiksna radi veće udobnosti vožnje. Da biste otkazali ovu funkciju, aktivirajte kočnicu.

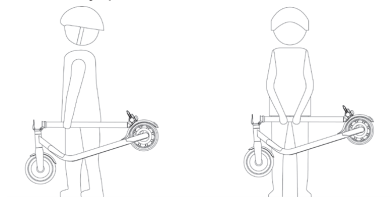


Potražite ravnotežni položaj za kretanje konstantnom brzinom:



SKLAPANJE I TRANSPORT

Kada je sklopljen, uhvatite električni skuter za šipku da biste ga transportovali kao što je prikazano na slici:



Upozorenja: nepoštovanje ovih uputstava može dovesti do ozbiljnih povreda.

- NEMOJTE da vozite električni skuter po kiši.
- NEMOJTE da dozvolite da se namokri. Pazite na glavu kada prolazite kroz vrata. Održavajte brzinu između 3,1–6,2 mph (5–10 km/h) kada se vozite preko neravnina, vrata lifta, neravnih puteva ili drugih neravnih površina. Lagano savijte koleno da biste lakše prešli takve površine.
- NE držite noge na zadnjem blatobranu.
- NE pritiskajte gas kada hodate sa električnim skuterom. Izbegavajte dodirivanje prepreka gumom/točkom.
- NEMOJTE da nosite teške predmete na upravljaču.
- NEMOJTE da vozite električni skuter samo jednom nogom.
- NEMOJTE da vozite javnim saobraćajnicama, putevima ili autoputevima.
- NEMOJTE nasilno da okrećete ručicu dok vozite velikom brzinom.
- NEMOJTE da vozite gore-dole po stepenicama niti da preskaćete prepreke.
- NEMOJTE da skidate ruke sa upravljača tokom vožnje. Nemojte da vozite samo jednom rukom.

- NEMOJTE da vozite kroz lokve ili bilo koje druge (vodene) prepreke. U tom slučaju smanjite brzinu i zaobiđite prepreku.
- NEMOJTE da prevozite putnike. Električni skuter je predviđen samo za jednog vozača.
- Nemojte da nosite dete sa sobom.
- Nemojte da vozite kada ste trudni.
- NEMOJTE da koristite mobilni telefon niti da nosite slušalice kada vozite električni skuter.
- NEMOJTE da dodirujete motor nakon vožnje jer može biti vreo.
- Uvek držite obe ruke na upravljaču; u suprotnom rizikujete ozbiljne povrede usled gubitka ravnoteže i padova.
- Samo za upotrebu po suvom vremenu.
- Ne preporučujemo upotrebu na javnim saobraćajnicama.
- Nikada nemojte naglo da skrećete kada vozite brzo.
- Nemojte naglo da krećete ili da se zaustavljate.
- Uverite se da je brzina električnog skutera bezbedna za vas i druge i budite spremni da se zaustavite u bilo kom trenutku tokom vožnje.
- Kada vozite električni skuter, držite se dalje od drugih da biste izbegli sudare.
- Kada skrećete morate da koristite težište svog tela; nagla promena težišta može da prouzrokuje štetu.
- Rutinski proveravajte ležajeve u pogledu vlage i prljavštine. Osušite i očistite ležajeve. Po potrebi podmažite ležajeve nakon čišćenja. Koristite samo odgovarajuća maziva za ovu svrhu. Takođe proverite položaj upravljača da biste bili sigurni da je ovaj proizvod bezbedan.
- Ne smeju da se vrše nikakve izmene osim prema uputstvu proizvođača.
- Kod samozaključavajućih navrtki i drugih samozaključavajućih elemenata može doći do gubitka efikasnosti.
- Izbegavajte vožnju na strmim padinama.

VIII. ČIŠĆENJE I ODRŽAVANJE

Ovaj električni skuter se može koristiti kao prevozno sredstvo i kao takav zahteva održavanje svih komponenti koje se habaju tokom rada i nisu pokriveno garancijom.

ČIŠĆENJE

Uverite se da je električni skuter isključen, kabl za punjenje isključen i da je gumeni poklopac na priključku za punjenje dobro zatvoren pre čišćenja; u suprotnom možete da oštetite elektronske komponente. Uvek prvo odvojite proizvod sa punjača, pokrijte vodootporni čep za punjenje, isključite napajanje proizvoda i izbegavajte kontakt tečnosti sa baterijom, motorom i drugim elektronskim delovima tokom čišćenja da biste izbegli nepredviđenu opasnost. Nemojte da koristite mlaz vode pod visokim pritiskom za čišćenje proizvoda niti natapanje u vodu.

Za čišćenje električnog skutera koristite vlažnu krpu. Ako treba da sastružete prljavštinu, koristite meku četku, a zatim vlažnu krpu.

Obavezno pokrijte priključak za punjenje da biste izbegli probleme sa elektronskim komponentama.

Nemojte da koristite alkohol, benzin, kerozin ili druge isparljive ili korozivne hemijske komponente. Na taj način možete da oštetite izgled i unutrašnju strukturu električnog skutera. Takođe, nemojte da koristite pištolj za vodu pod pritiskom ili tekuću vodu.

KONZERVACIJA

Čuvajte električni skuter u hladnom i suvom okruženju kada ga ne koristite. Izbegavajte da ga ostavljate napolju, jer nije proizveden za upotrebu u vlažnim prostorima, u blizini korozivnih agenasa kao što su morska voda, luke, itd. Takođe se ne preporučuje duže izlaganje visokim temperaturama izazvanim direktnim sunčevim zracima.

IX. RUKOVANJE BATERIJAMA I ZABRANJENE RADNJE

Nemojte da koristite druge modele ili brendove baterija, koristite samo originalne baterije.

Ne stavljajte bateriju u okruženje sa visokim temperaturama koje su više od 50°C ili niže od -20°C (na primer, ne stavljajte električni skuter u gepek automobila tokom leta) i ne stavljajte bateriju na mesta u blizini vatre. U suprotnom, može doći do kvara baterije, pregrevanja, pa čak i opasnosti od požara.

Izbegavajte potpuno pražnjenje baterije; bolje je da se pune dok je u njima još struje. Ovo će produžiti vek trajanja baterije. Takođe, ako vozite električni skuter u veoma hladnim ili toplim područjima, možete da skratite vreme korišćenja baterija. To nije kvar baterija, već je to njihovo normalno ponašanje.

Ako nije korišćena duže od 30 dana, potpuno je napunite i čuvajte na hladnom i suvom mestu i puniti bateriju do kraja svakih 60 dana. Nepoštovanje ovih koraka može oštetiti bateriju, a takvo oštećenje nije pokriveno garancijom.

Zabranjeno je rastavljanje odeljka za baterije. Manipulacije na bateriji su dozvoljene samo u zvaničnim tehničkim službama ili pridruženim radionicama.

Za punjenje koristite samo originalni punjač, u suprotnom postoji opasnost od oštećenja ili požara.

Neadekvatno odlaganje istrošenih baterija može da izazove ozbiljno zagađenje životne sredine. Pridržavajte se lokalnih propisa kada odlazete ovu bateriju.

Nakon svake upotrebe, napunite bateriju, time ćete produžiti vek trajanja baterije.

OPASNOST!

Baterija sadrži zapaljive i opasne supstance. Nepravilno rukovanje može da izazove požar, dim, eksploziju i teške telesne povrede ili gubitak imovine. Uvek pročitajte i pridržavajte se sledećih zabranjenih radnji i stavite odgovarajuću zaštitnu opremu pre nego što izvršite bilo kakvu radnju u vezi sa baterijom.

Držite bateriju dalje od beba i dece da biste izbegli nezgode. Ako mlađa deca koriste bateriju, njihovi staratelji treba da objasne pravilan način rukovanja i mere opreza pre upotrebe, kao i da uvek obezbede celovitost baterije.

Koristite samo predviđeni punjač i puniti bateriju samo na predviđeni način. Nemojte da puniti bateriju direktno iz električne utičnice ili punjačem za automobilski upaljač. Nemojte da puniti bateriju bez nadzora.

- Nemojte da puniti bateriju u obrnutom položaju.
- Nemojte da ostavljajte bateriju blizu vatre ili zagrejanog izvora i ne bacajte bateriju u vatru.
- Nemojte da puniti ili koristite bateriju u automobilu ili sličnom mestu gde unutrašnja temperatura može da dostigne više od 50°C.
- Nemojte da uranjate, bacate niti da kvasite bateriju u vodi/morskoj vodi itd.
- Nemojte da pravite kratak spoj i ne spajajte (+) pozitivne i (-) negativne terminale sa metalnim predmetom. Nemojte da čuvate bateriju u džepu ili torbi zajedno sa metalnim predmetima kao što su ključevi, ogrlice, ukosnice, novčići ili zavrtnji.
- Nemojte da bušite bateriju oštrim predmetom, kao što je igla, odvijač.
- Nemojte da zagrevate deo površine baterije zagrejanim predmetima, kao što je lemilica.
- Nemojte da je udarate teškim predmetima, kao što su čekić, tegovi. Nemojte da gazite bateriju niti da je bacate ili ispuštate da biste izbegli mehanički udar. Nemojte da koristite veoma deformisanu bateriju.

- Nemojte da rastavljate bateriju niti da menjate dizajn baterije uključujući električno kolo.
- Nemojte da lemite direktno na bateriju niti da koristite ili stavljate stare i nove baterije zajedno.
- Nemojte da stavljate bateriju u mikrotalasnu rernu, mašinu za sušenje veša ili posudu pod visokim pritiskom.
- Nemojte da koristite niti da stavljate bateriju sa baterijama drugih proizvođača, različitih tipova i/ili modela baterija kao što su suve baterije, niki-metal vodonične baterije ili niki-kadmijumske baterije.

Udaljite je od vatre čim se otkrije curenje ili neprijatan miris. Ako tečnost iscuri na vašu kožu ili odeću, odmah dobro operite svežom vodom. Ako vam iscurela tečnost iz baterije dospe u oči, nemojte da trljate oči, isperite ih čistom vodom i odmah posetite lekara. Ako se terminali baterije zaprljaju, obrišite ih suvom krpom pre korišćenja baterije.

Pokrijte terminale odgovarajućom izolacionom trakom pre odlaganja.

Pre upotrebe / instaliranja / uklanjanja baterije ili korišćenja punjača, uvek pročitajte uputstvo za upotrebu i pridržavajte se mera opreza pri rukovanju.

Zamenite bateriju kada vreme korišćenja baterije postane mnogo kraće u odnosu na uobičajeno.

Ako je potrebno da se baterija skladišti na duži period, bateriju treba ukloniti iz proizvoda i čuvati na mestu gde su vlažnost i temperatura niske.

Dok se baterija puni, koristi i skladišti, držite je dalje od materijala sa statičkim elektricitetom.

Ne smete da koristite nepunjavu bateriju kao zamenu.

Baterija mora da se ukloni iz uređaja pre nego što se odloži.

Uređaj mora da se isključi iz električne mreže pre uklanjanja baterije.

Bateriju treba bezbedno odložiti.

Nemojte da koristite bateriju u slučaju stvaranja statičkog elektriciteta (više od 100V), zaštitno kolo baterije će se oštetiti.

Ne vadite bateriju. Vađenje baterije je komplikovano i može da promeni rad mašine. Obratite se ovlašćenom servisnom centru da bi se to obavilo.

Ne skladištite niti puniti bateriju na temperaturama koje su van navedenih granica (pogledajte u ovom uputstvu). Nemojte da bušite bateriju. Pogledajte svoje lokalne zakone i propise u vezi sa recikliranjem i/ili odlaganjem baterija.

Dobro održavana baterija može dobro da radi čak i nakon velike kilometraže. Napunite bateriju nakon svake vožnje i izbegavajte potpuno pražnjenje baterije.



UPOZORENJE!

Udaljite je od vatre čim se otkrije curenje ili neprijatan miris. Ako tečnost iscuri na vašu kožu ili odeću, odmah dobro operite svežom vodom.

Ako vam iscurela tečnost iz baterije dospe u oči, nemojte da trljate oči, isperite ih čistom vodom i odmah posetite lekara. Ako se terminali baterije zaprljaju, obrišite ih suvom krpom pre korišćenja baterije.

Pokrijte terminale odgovarajućom izolacionom trakom pre odlaganja.

Pre upotrebe / instaliranja / uklanjanja baterije ili korišćenja punjača, uvek pročitajte uputstvo za upotrebu i pridržavajte se mera opreza pri rukovanju.

Zamenite bateriju kada vreme korišćenja baterije postane mnogo kraće u odnosu na uobičajeno.

Ako je potrebno da se baterija skladišti na duži period, bateriju treba ukloniti iz proizvoda i čuvati na mestu gde su vlažnost i temperatura niske.

Dok se baterija puni, koristi i skladišti, držite je dalje od materijala sa statičkim elektricitetom.

Ne smete da koristite nepunjavu bateriju kao zamenu.

Baterija mora da se ukloni iz uređaja pre nego što se odloži.

Uređaj mora da se isključi iz električne mreže pre uklanjanja baterije.

Bateriju treba bezbedno odložiti.

Ne pokušavajte da rastavite ovu bateriju. Nemojte da dodirujete kontakte baterije. Nemojte da rastavljate niti da bušite kućište.

Držite kontakte baterije dalje od metalnih predmeta da biste sprečili kratak spoj. Rizik od požara i strujnog udara. Nemojte da puniti niti da koristite bateriju ako je oštećena ili ako vidite tragove vode.

U slučaju nesreće ili kvara: obratite se ovlašćenom serviseru u vašoj zemlji.

Korisnik mora da kontaktira ovlašćeni ili specijalizovani korisnički servis.

X. Punjenje/praznjenje i čuvanje baterije



Upozorenje: uvek se pridržavajte sledeće poruke.

Koristite samo originalni punjač, nepravilna upotreba može da dovede do telesnih povreda i gubitka imovine. Garancija ne uključuje nikakve odgovornosti za štete uzrokovane upotrebom neoriginalnog punjača.

Nemojte da puniti u blizini izvora tečnosti/vatre, uvek izbegavajte zapaljive supstance. Nemojte da ostavljate uređaj bez nadzora tokom punjenja.

Nemojte da puniti ako su priključak za punjenje ili kabl za punjenje mokri.

Nemojte da puniti ili koristite bateriju ako je oštećena ili vidite tragove vode.

Interfejs za punjenje je opremljen posebnim slotom. Nemojte silom da umećete konektor jer to može da ošteti uređaj.

Indikator punjača je crvene boje kada se baterija puni. Indikator postaje zelen kada se punjenje završi.

Odvojite punjač kada indikator punjača bude zelen. Prekomerno punjenje ili prekomerno praznjenje će izazvati nepovratno oštećenje baterije ili gubitak imovine. Ako je indikator punjača postao zelen odmah tokom punjenja nakon vožnje, isključite punjač i pustite da se baterija ohladi pre ponovnog punjenja. Ovo je normalna pojava inteligentne zaštite zbog visoke unutrašnje temperature baterije. Punjenje može da počne nakon što se baterija ohladi.

Prekinite punjenje i odvojite punjač ako baterija nije potpuno napunjena nakon sledećeg preporučenog vremenskog perioda. Obratite se korisničkoj službi za dodatne informacije.

Priključak za punjenje mora biti pokriven gumenim poklopcem nakon svakog punjenja.

Uvek budite posebno pažljivi dok rukujete baterijom.

Prestanite da koristite bateriju ako se baterija neuobičajeno zagreje ili ispušta neki miris, promeni boju, ima deformacije ili se otkrije drugo abnormalno stanje tokom upotrebe, punjenja ili skladištenja.

Baterija može da se koristi u sledećim opsezima temperatura. Nemojte da prekoračite ove opsege.

Radna temperatura: -10-60°C (performanse baterije variraju u zavisnosti od temperature)

Temperatura punjenja: 10-45°C

Temperatura skladištenja i transporta: -10-45°C

Vlažnost skladištenja: 10-80%


XI. Informacije o korišćenju

Naziv proizvoda	Acer električni skuter ES serije 5
Model	AES015
Dimenzije, rasklopljen	D118 x Š49 x V125 (cm)
Dimenzije, sklopljen	D118 x Š49 x V55 (cm)
Težina uklj. bateriju	18,5 kg
Motor	350 W
Baterija	15 Ah
Vrsta baterije	Litijum-jonski
Proizvođač baterije	TIANHONG
Punjenje	42 V / 2,0 A
Proizvođač adaptera: FUYUANDIAN, br. modela: FY-4202000	
Puno vreme punjenja	4 sata
Maksimalna brzina	20 km/h ili 25 km/h (Zavisí od regulative u zemlji)
Maksimalan domet bez punjenja	60 km
Regulacija brzine	Da
Režimi brzine	3
Nivo režima brzine	0-6 km/h; 0-10 km/h; 0-20 ili 25 km/h (Zavisí od regulative u zemlji)
Mehanizam za sklapanje	Da
Glavni materijal	Platforma od aluminijumske legure, čelična prednja cev
Maksimalna nosivost	do 100 kg
Rastojanje od tla	11 cm
Upravljač podesive visine	Ne
Kočnice	Prednja električna kočnica i disk kočnica

Displej	LED displej
Amortizer točka	Da
Točkovi	Točak sa punom gumom
Materijal točka	Guma
Pogonska jedinica	Pogon na prednjem točku
Prečnik točka	10"
Vodootporan	IPX4
Reflektori	Da
Prednje svetlo	Da
Aplikacija	Ne
Zvučni signal	Da
Pozadinsko osvetljenje	Da
Bluetooth	Da
Sposobnost penjanja	10°

XII. Ostalo

1. Datum proizvođača je naveden na etiketi proizvoda

2.  Skladištenje

Čuvajte ovaj proizvod na suvom, hladnom i bezbednom mestu, izbegavajte vlagu i visoke temperature. Vlažnost može da dovede do oštećenja električnih komponenti. Kada se litijumska baterija pokvari, obratite se lokalnoj agenciji za reciklažu i odložite litijumsku bateriju u skladu sa svojim nacionalnim ili lokalnim zakonima i propisima.

- Radna temperatura: -10-60°C
- Temperatura punjenja: 10-45°C
- Temperatura skladištenja i transporta: -10-45°C
- Vlažnost skladištenja: 10-80%

3. Ovaj proizvod se ne sme odlagati sa drugim kućnim otpadom. Molimo da ga reciklirate kako biste smanjili zagađenje životne sredine u skladu sa lokalnim propisima ili se obratite lokalnoj gradskoj kancelariji, službi za odlaganje kućnog otpada.

4. 1) Uređaji nisu namenjeni za upotrebu na nadmorskim visinama većim od 2000 m.
- 2) Produžena izloženost UV zracima, kiši i nepogodama može da ošteti materijal kućišta; čuvajte ga u zatvorenom prostoru kada se ne koristi.
- 3) **UPOZORENJE** - Opasnost od požara - Ne postoje delovi koje korisnik može samostalno servisirati.



Acer Incorporated
8F, 88, Sec. 1, Xintai 5th Rd., Xizhi
New Taipei City 221, Tajvan

EU izjava o usaglašenosti

Mi,

Acer Incorporated
8F, 88, Sec. 1, Xintai 5th Rd., Xizhi, New Taipei City 221, Tajvan

I,

Acer Italy s.r.l.
Viale delle Industrie 1/A, 20044 Arese (MI), Italy
Tel: +39-02-939-921, Faks: +39-02 9399-2913
www.acer.it

Proizvod: Acer električni skuter ES serije 5
Trgovačko ime: acer
Broj modela: AES015
SKU broj: AES015 *****
(,,*“=0~9, a~z, A~Z ili prazno mesto)

Mi, kompanija Acer Incorporated, ovim izjavljujemo pod punom odgovornošću da je opisani proizvod u skladu sa odgovarajućmi usklađenim zakonodavstvom Evropske Unije: Direktiva za mašine 2006/42/EC i RoHS direktiva 2011/65/EU. Primenjeni su sledeći harmonizovani standardi i/ili drugi relevantni standardi:

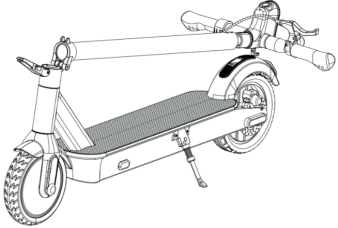


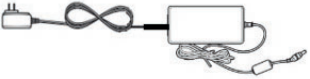

EN 17128:2020	EN 301 489-17 V3.2.4
EN 300 328 V2.2.2	EN 62479:2010
EN 301 489-1 V2.2.3	EN IEC 63000:2018

Godina od koje se počinje lepljenje CE oznake: 2022.

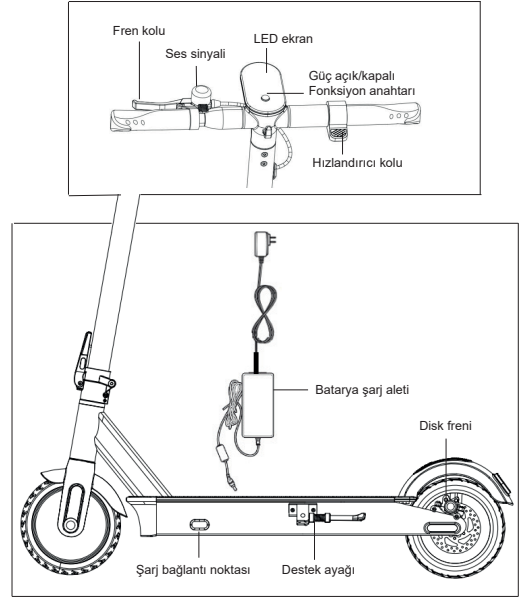
RU Jan / V. menadžer
Acer Incorporated (Tajpej, Tajvan)

16.5.2022
Datum

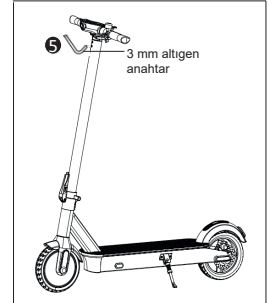
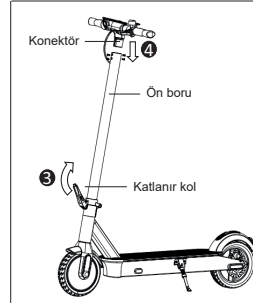
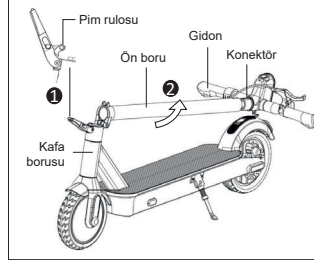
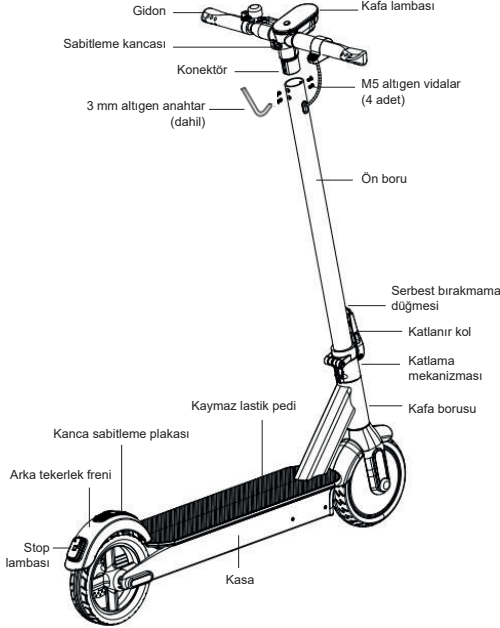
I. Gelen Kutusu İçeriği

Skuter *1	
3 mm altıgen anahtar *1	
Kullanım kılavuzu *1	
Batarya şarj aleti *1	
M5*14L havşa başlı vida *4 ADET	

II. Parçalar

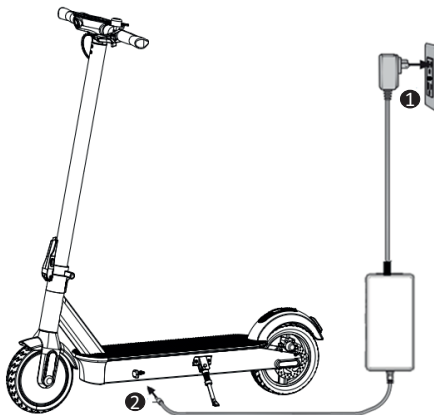
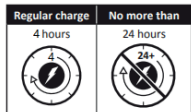


III. Montaj



IV. Bataryayı şarj edin

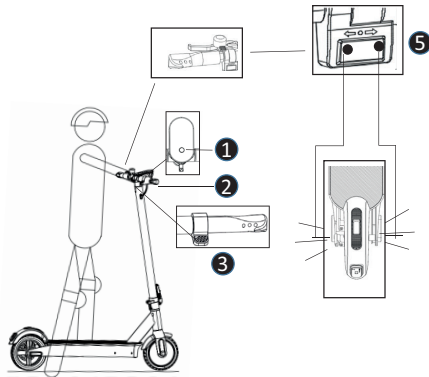
Not: Şarj cihazı ışığı şarj olurken **kırmızı** yanar ve şarj tamamlandığında **yeşil**e döner.



V. KULLAN

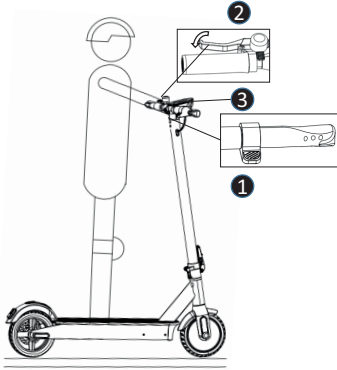
Skuter'i çalıştırma

1. Skuter'i açmak için güç düğmesini 3 saniye basılı tutun. Işığı açmak/kapatmak için güç düğmesine kısa bir süre basın. Hız düzenlemelerini değiştirmek için güç düğmesine iki kez sürekli basın. Km/h ve mp/h arasında geçiş yapmak için güç düğmesine 3 kez sürekli basın.
2. Gidonu iki elinizle sıkıca kavrayın.
3. Bir ayağınızla güverteye çıkın, hızlanmaya yardımcı olmak için diğer ayağınızla yere tekme atın ve gaz pedalına hafifçe basın.
4. Başladıktan sonra her iki ayağınızı güverteye basın.
5. Dönüş sinyali (isteğe bağlı).



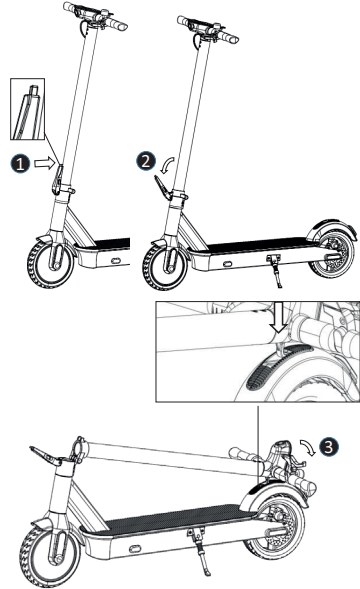
Skuter'i durdurmak

1. Hızlandırıcı kolunu serbest bırakın.
2. Ön el freni koluna basarak fren yapın.
3. Kullanılmadığında güç düğmesine basın.



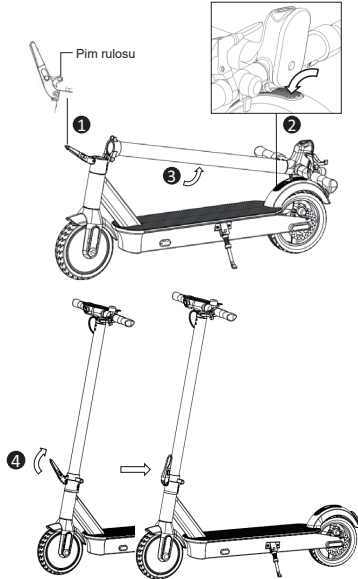
Skuter'in Katlanması

1. Serbest bırakma düğmesine basın.
2. Katlama kolunun kilidini açın.
3. Ön boruyu geriye katlayın ve sabitleme kancasını arka tekerlek frenindeki sabitleme plakasına kilitleyin.



Skuter'in Açılması

1. Pim rulosunu ortaya çıkarmak için katlama kolunu tamamen açın.
2. Sabitleme kancasını serbest bırakmak için kanca sabitleme plakasını aşağı doğru bastırın.
3. Ön boruyu kaldırın.
4. Katlama kolunu kilitleyin.



VI. Sorun Giderme Yöntemi

Hata Kodunun Tanıtımı ve Düzenlenmesi

Arıza Kodu	Giriş	Ayarlama
0E	Düşük batarya	Bataryayı tamamen şarj edin
1E	Bataryayı aşırı şarj edin	Şarj aletini çıkarın. Hata kodu hala giderilmediyse lütfen yetkili bir servis merkezi ile iletişime geçin.
2E	Denetleyici hatası	Lütfen yetkili bir servis merkezi ile iletişime geçin.
3E	Denetleyicide aşırı sıcaklık, koruma programını başlatın	Lütfen şimdilik skuter'i kullanmayın. Sıcaklık düşene kadar bekleyin ve tekrar deneyin.
4E	Sinyal hattı gevşeyebilir veya düşebilir	Lütfen yetkili bir servis merkezi ile iletişime geçin.
5E	Motor ve kontrolör arasındaki gevşek bağlantı	Lütfen yetkili bir servis merkezi ile iletişime geçin.
6E	Hızlandırıcı hatası	Lütfen yetkili bir servis merkezi ile iletişime geçin.
7E	Fren sistemi arızası	Lütfen yetkili bir servis merkezi ile iletişime geçin.

Hata Kodunun Tanıtımı ve Düzenlenmesi		
8E	Aşırı akım, koruma programını başlat	Skuter'i durdurun ve daha sonra tekrar çalıştırın. Hata kodu hala giderilmediyse lütfen yetkili bir servis merkezi ile iletişime geçin.
9E	Motor Kilitli Rotor	Skuter'i durdurun ve daha sonra tekrar çalıştırın. Hata kodu hala giderilmediyse lütfen yetkili bir servis merkezi ile iletişime geçin.

Batarya şarj olmuyor

Düzenleme yöntemi:

1. Fiş düzgün takılı değil.
2. Şarj aleti hasarlı, yeni şarj aleti kullanın.
3. Batarya kablosu gevşek, terminalleri yeniden bağlayın.

Şarjdan sonra yetersiz kilometre

Düzenleme yöntemi:

1. Yetersiz şarj, bataryayı tamamen şarj edin.
2. Yokuş yukarı ve şiddetli rüzgarlar, ağır yük, zayıf yol yüzeyi ve düşük sıcaklık.
3. Akü ile şarj portu arasındaki bağlantı terminali gevşetilir, terminalleri yeniden bağlayın.

Hız çok düşük

Düzenleme yöntemi:

1. Batarya voltajı çok düşük, bataryayı tamamen şarj edin.

Fren çalışmıyor

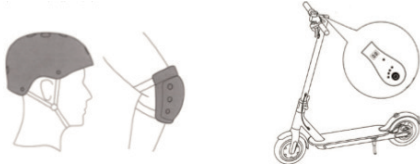
Düzenleme yöntemi:

1. Fren kablosu çok uzun, fren kablosunu tekrar sıkın.
2. Fren balatası hasar görmüşse, orijinalini değiştirin.

Not: Arıza tespit edildiğinde lütfen yetkili bir servis merkezi ile iletişime geçin. Skuter'i kendiniz tamir etmeyin veya modifiye etmeyin, bu garanti sınırlamalarına ve yaralanmalara neden olabilir.

VII. SÜRÜŞ VE GÜVENLİK

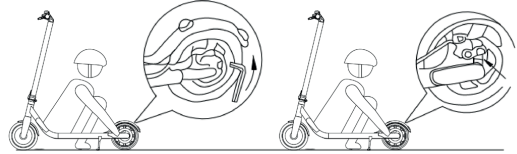
Bu cihazın kullanımı için bir öğrenme süreci gereklidir. Doğru bir öğrenme süreci olmadan kullanılması yaralanmalara neden olabilir. Hasarı önlemek için korumalar kullanın. Bu adımları tamamladıktan sonra elektrikli skuter'i açabilirsiniz:



FREN AYARI

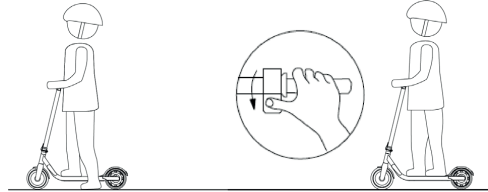
Her sürüşten önce frenleri kontrol edin. Frenin çok sıkı olduğunu düşünüyorsanız, disk fren yatağı üzerindeki baskı plakası üzerindeki vidaları gevşetmek için altıgen anahtar saat yönünün tersine kullanın, açığı uzunluğu biraz kısaltmak için fren hattını serbest bırakın ve baskı plakasının vidalarını sıkın. Frenin çok gevşek olduğunu düşünüyorsanız, baskı plakasındaki vidaları gevşetin, uzunluğu biraz uzatmak için fren kablосunu sürükleyin ve ardından baskı plakasındaki vidaları kilitleyin.

UYARI!! Sert fren yaparken, çekiş kaybı ve düşme nedeniyle ciddi yaralanma riskiyle karşı karşıya kalırsınız. Makul bir hızı koruyun ve potansiyel tehlikelere dikkat edin.



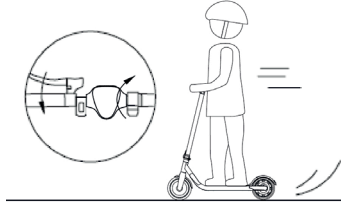
KULLAN

Bir ayağınızı tahtada ve bir ayağınızı yerde tutun. Hız 3km/s'ye ulaştığında hızlanmaya başlayınca ayağınızı yere bırakın. Bir ayağınızı tahtada tutun ve uygun şekilde hızlanın veya belirli bir hızı koruyun. Bu eylem, güvenliğinizi için yürüyüşü başlatmak için gereklidir.

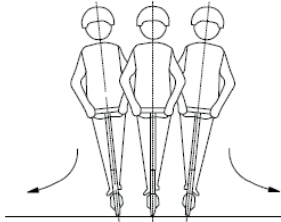


SABİT HIZ

Gaz pedalını basılı tutarsanız, daha fazla seyahat konforu için hız sabitlenecektir. Bu işlevi iptal etmek için lütfen freni etkinleştirin.

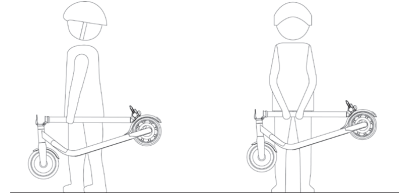


Sürekli dolaşmak için denge duruşunu arayın:



KATLAMA VE TAŞIMA

Katlandıktan sonra elektrikli skuter'i şekilde gösterildiği gibi taşımak için çubuğundan tutun:



Uyarılar: Bu talimatlara uyulmaması ciddi yaralanmalara neden olabilir.

- Elektrikli scooter'ı yağmurda SÜRMEYİN.
- ISLANMAYIN.
Kapılardan geçerken kafanıza dikkat edin. Tümsseklerden, asansör kapısı sabitlerinden, engebeli yollardan veya diğer düz olmayan yüzeylerden geçerken hızınızı 5–10 km/sa (3,1–6,2 mph) arasında tutun. Bahsedilen yüzeyleri daha iyi ayarlamak için dizinizi hafifçe bükün.
- Ayaklarınızı arka çamurlukta TUTMAYIN.
- Elektrikli skuter ile yürürken gaza BASMAYIN.
Lastik/tekerlek ile engellerle temas etmekten kaçının.
- Gidon üzerinde ağır nesnelere TAŞIMAYIN.
- Elektrikli skuter'i yalnızca tek ayakla SÜRMEYİN.
- Halka açık yollarda, anayollarda veya otoyollarda SÜRMEYİN.
- Yüksek hızda sürerken kolu şiddetli bir şekilde DÖNDÜRMEYİN.
- Merdiven inip çıkmayınız veya engellerin üzerinden atlamayın.
- Sürüş sırasında ellerinizi gidondan ÇEKMEYİN. Sadece tek elle binmeyin.

- Su birikintileri veya diğer (su) engellerin üzerinden SÜRMEYİN. Böyle bir durumda lütfen hızınızı düşürün ve engeli geçin.
- Herhangi bir yolcu TAŞIMAYIN. Elektrikli skuter sadece bir sürücü içindir.
- Çocuk taşımayın.
- Hamileyken binmeyin.
- Elektrikli skuter kullanırken cep telefonu KULLANMAYIN veya kulaklık takmayın.
- Sürüşten sonra hazne motoruna DOKUNMAYIN, çünkü ısınabilir.
- Her zaman iki elinizi gidonun üzerinde tutun, aksi takdirde denge kaybı ve düşme nedeniyle ciddi yaralanma riskiniz vardır.
- Sadece kuru havalarda kullanım içindir.
- Halka açık yollarda kullanılmasını önermiyoruz.
- Hızlı sürerken asla şiddetli dönüş yapmayın.
- Aniden başlamayın veya durmayın.
- Elektrikli scooter'ın hızının sizin ve başkaları için güvenli olduğundan emin olun ve çalışırken her an durmaya hazır olun.
- Elektrikli skuter kullanırken, çarpışmaları önlemek için lütfen diğerlerinden uzakta durun.
- Döndüğünüzde vücudunuzun ağırlık merkezini kullanmalısınız; ağırlık merkezindeki şiddetli değişiklik hasara neden olabilir.
- Yataklarda nem ve kir olup olmadığını düzenli olarak kontrol edin. Rulmanları kurutun ve temizleyin. Gerekirse, temizlikten sonra yatakları yağlayın. Sadece bu amaç için uygun yağlayıcılar kullanın. Bu ürünün güvenli olduğundan emin olmak için direksiyon konumunu da kontrol edin.
- Üreticinin talimatları dışında herhangi bir değişiklik yapılmayacaktır.
- Kendiliğinden kilitlenen somunlar ve diğer kendinden kilitlenen sabitlemeler etkinliklerini kaybedebilir.
- Dik yokuşlarda araç kullanmaktan kaçının.

VIII. TEMİZLİK VE BAKIM

Bu elektrikli skuter, bir taşıma aracı olarak kullanılabilir ve bu nedenle, kullanım nedeniyle aşınma ve yıpranmaya maruz kalan ve garanti kapsamında olmayan tüm bileşenlerinin bakımını gerektirir.

TEMİZLİK

Temizlemeden önce elektrikli skuter'in KAPALI olduğundan, şarj kablosunun çıkarıldığından ve şarj bağlantı noktasındaki lastik kapağın sıkıca kapatıldığından emin olun; aksi takdirde elektronik bileşenlere zarar verebilirsiniz. Öngörülemeyen tehlikeleri önlemek için temizlik sırasında her zaman önce ürünü şarj aletinden çıkarın, şarj su geçirme fişini kapatın, ürünün gücünü kapatın ve batarya, motor ve diğer elektronik parçalarla sıvı temasından kaçının. Ürünü temizlemek veya suya batırmak için yüksek basınçlı su jeti kullanmayın.

Elektrikli skuter'i temizlemek için nemli bir bez kullanın. Kiri kazımanız gerekirse, yumuşak bir fırça ve ardından nemli bir bez kullanın.

Elektronik bileşenlerle ilgili sorunları önlemek için şarj bağlantı noktasını kapattığınızdan emin olun.

Alkol, benzin, kerosen veya diğer uçucu veya aşındırıcı kimyasal bileşenleri kullanmayın. Bu, elektrikli skuter'in hem görünümüne hem de iç yapısına zarar verebilir. Ayrıca basınçlı su tabancası veya akan su kullanmayın.

KORUMA

Elektrikli skuter'i kullanılmadığı zamanlarda serin ve kuru bir ortamda saklayın. Islak mekanlarda, deniz suyu, limanlar vb. aşındırıcı maddelerin yakınında kullanılmak üzere üretilmemiş olduğundan, dışarıda bırakmayın. Ayrıca doğrudan güneş ışığından kaynaklanan yüksek sıcaklıklara uzun süre maruz bırakılması önerilmez.

IX. BATARYA KULLANIMI VE YASAKLANAN EYLEMLER

Başka model ve marka bataryaları kullanmayınız, sadece orijinal batarya kullanın.

Bataryayı 50°C'den yüksek veya -20°C'den düşük sıcaklıklara sahip bir ortama koymayın; (örneğin, yazın elektrikli skuter'i araba bagajına koymayın); ve bataryayı ateşe yakın yerlere koymayın. Aksi takdirde bataryanın arızalanmasına, aşırı ısınmasına ve hatta yangın riskine neden olabilir.

Bataryaları tamamen boşaltmaktan kaçının, içinde hala güç varken şarj etmek daha iyidir. Bu bataryanın ömrünü uzatacaktır. Ayrıca elektrikli skuter'i çok soğuk veya sıcak bölgelerde kullanırsanız, bataryaların kullanım süresini azaltabilirsiniz. Bu, bataryaların bir arızası değildir, ancak normal davranışlarıdır.

30 günden fazla kullanılmadığında, tamamen şarj edin ve serin, kuru bir yerde saklayın ve bataryayı her 60 günde bir tamamen şarj edin. Bu adımların izlenmemesi bataryaya zarar verebilir ve bu hasar garanti kapsamında değildir.

Batarya bölmesini sökmek yasaktır. Sadece Resmi Teknik Servislerde veya bağlı Atölyelerde manipülasyonuna izin verilir.

Şarj etmek için yalnızca orijinal şarj cihazını kullanın, aksi takdirde hasar veya yangın riski vardır.

Kullanılmış bataryaların yetersiz şekilde atılması ciddi çevre kirliliğine neden olabilir. Bu batarya takımını elden çıkarırken yerel düzenlemelere uyun.

Her kullanımdan sonra bataryayı yeniden şarj edin, bu bataryanın ömrünü uzatacaktır.



TEHLİKE!

Batarya hücresi yanıcı ve tehlikeli maddeler içerir. Yanlış kullanım yangına, dumana, patlamaya ve ciddi kişisel yaralanmaya veya mal kaybına neden olabilir. Bataryayla ilgili herhangi bir işlem gerçekleştirmeden önce her zaman aşağıdaki yasak eylemi okuyun ve bunlara uyun, uygun koruyucu donanım kullanın.

Herhangi bir kazayı önlemek için bataryayı bebek ve çocuklardan uzak tutun. Küçük çocuklar bataryayı kullanıyorsa, velileri kullanmadan önce uygun kullanım yöntemini ve önlemleri açıklamalı ve her zaman bataryanın sağlam olduğundan emin olmalıdır.

Yalnızca özel şarj aletini kullanın ve bataryayı yalnızca özel şekilde şarj edin. Bataryayı doğrudan elektrik prizinden veya otomobil çakmak şarj aletinden şarj etmeyin. Bataryayı gözetimsiz şarj etmeyin.

- Bataryayı ters şarj etmeyin.
- Bataryayı ateşin veya sıcak bir kaynağın yanında bırakmayın ve bataryayı ateşe atmayın.
- Bataryayı, iç sıcaklığın 50°C'nin üzerinde olabileceği bir arabada veya benzeri bir yerde şarj etmeyin veya kullanmayın.
- Bataryayı suya / deniz suyuna vb. batırmayın, atmayın ve ıslatmayın.
- Kısa devre yapmayın veya (+) pozitif ve (-) negatif terminalleri metalik bir nesneye bağlamayın. Bataryayı anahtar, kolye, saç tokası, madeni para veya vida gibi metal nesnelere birlikte bir cepte veya çantada saklamayın.
- Bataryayı iğne, tornavida gibi keskin bir cisimle delmeyin.
- Bataryanın kısmi alanını havya gibi ısıtılmış nesnelere ısıtmayın.
- Çekiç, ağırlık gibi ağır nesnelere vurmayın. Mekanik şoktan kaçınmak için bataryanın üzerine basmayın ve bataryayı atmayın veya düşürmeyin. Ciddi şekilde deforme olmuş bataryayı kullanmayın.
- Bataryayı sökmeyin veya elektrik devresi dahil batarya tasarımını değiştirmeyin.

- Batarya üzerine doğrudan lehim yapmayın ve eski ve yeni bataryaları birlikte kullanmayın veya birleştirmeyin.
- Bataryayı mikrodalga fırına, kurutucuya veya yüksek basınçlı kaba koymayın.
- Bataryayı başka üreticilerin bataryaları, kuru bataryalar, nikel-metal hidrojen bataryalar veya nikel-kadmium bataryalar gibi farklı tip ve/veya model bataryalarla kullanmayın veya birleştirmeyin.

Sızıntı veya kötü koku algılandığında hemen ateşten uzak durun. Cildinize veya giysilerinize sıvı sızarsa, hemen tatlı su ile iyice yıkayın. Bataryadan sızan sıvı gözünüze kaçarsa gözlerinizi ovuşturmayın ve temiz su ile yıkayın ve hemen bir doktora görünün. Bataryanın uçları kirlenirse, bataryayı kullanmadan önce kuru bir bezle silin.

İmha etmeden önce terminalleri uygun yalıtım bandıyla kapatın.

Bataryayı veya şarj aletini kullanmadan / takmadan / çıkarmadan önce daima kullanım kılavuzunu okuyun ve kullanım önlemlerine uyun.

Batarya kullanım süresi normalden çok daha kısa olduğunda bataryayı değiştirin.

Bataryanın uzun süre saklanması gerekiyorsa batarya uygulamadan çıkarılmalı, nem ve sıcaklığın düşük olduğu bir yerde saklanmalıdır.

Batarya şarj edilirken, kullanılırken ve saklanırken statik elektrik içeren nesnelere uzak tutun.

Şarj edilemeyen batarya yedek olarak kullanılamaz.

Batarya hurdaya ayrılmadan önce cihazdan çıkarılmalıdır.

Bataryayı çıkarırken cihazın elektrik şebekesiyle bağlantısı kesilmelidir.

Batarya güvenli bir şekilde imha edilmelidir.

Bataryayı statik elektrik oluşumu durumunda (100V'den fazla) kullanmayın, batarya koruma devresi zarar görecektir.

Bataryayı çıkarmayın. Bataryanın çıkarılması karmaşıktır ve makinenin çalışmasını değiştirebilir. Bataryayı çalıştırmak için sadece yetkili servis merkezi ile iletişime geçmelisiniz.

Bataryayı belirtilen sınırların dışındaki sıcaklıklarda saklamayın veya şarj etmeyin (bu kılavuza bakın). Bataryayı delmeyin. Bataryanın geri dönüşümü ve/veya atılmasıyla ilgili yerel yasalara ve düzenlemelere bakın.

Bakımı iyi yapılmış bir batarya, kilometrelerce sürdükten sonra bile iyi performans gösterebilir. Her sürüşten sonra bataryayı şarj edin ve bataryayı tamamen boşaltmaktan kaçının.



UYARI!

Sızıntı veya kötü koku algılandığında hemen ateşten uzak durun. Cildinize veya giysilerinize sıvı sızarsa, hemen tatlı su ile iyice yıkayın. Bataryadan sızan sıvı gözünüze kaçarsa gözlerinizi ovuşturmayın ve temiz su ile yıkayın ve hemen bir doktora görünün. Bataryanın uçları kirlenirse, bataryayı kullanmadan önce kuru bir bezle silin.

İmha etmeden önce terminalleri uygun yalıtım bandıyla kapatın.

Bataryayı veya şarj aletini kullanmadan / takmadan / çıkarmadan önce daima kullanım kılavuzunu okuyun ve kullanım önlemlerine uyun.

Batarya kullanım süresi normalden çok daha kısa olduğunda bataryayı değiştirin.

Bataryanın uzun süre saklanması gerekiyorsa batarya uygulamadan çıkarılmalı, nem ve sıcaklığın düşük olduğu bir yerde saklanmalıdır.

Batarya şarj edilirken, kullanılırken ve saklanırken statik elektrik içeren nesnelere uzak tutun.

Şarj edilemeyen batarya yedek olarak kullanılamaz.

Batarya hurdaya ayrılmadan önce cihazdan çıkarılmalıdır.

Bataryayı çıkarırken cihazın elektrik şebekesiyle bağlantısı kesilmelidir.

Batarya güvenli bir şekilde imha edilmelidir.

Bataryayı parçalarına ayırmaya çalışmayın. Batarya temas noktalarına dokunmayın. Muhafazayı sökmeyin veya delmeyin.

Kısa devreyi önlemek için batarya temas noktalarını metal nesnelere uzak tutun. Yangın ve elektrik çarpması riski. Bataryanız hasar görmüşse veya su izi görüyorsa şarj etmeyin veya kullanmayın.

Kaza veya arıza durumunda: Lütfen ülkenizdeki yetkili bir tamirci ile iletişime geçin.

Kullanıcı, yetkili veya uzman bir müşteri hizmetleri ile iletişime geçmelidir.

X. Bataryayı şarj etme/deşarj etme ve saklama



Uyarı: Her zaman aşağıdaki mesaja uyun.

Yalnızca orijinal şarj aleti kullanın, yanlış kullanım kişisel yaralanmaya ve mal kaybına neden olabilir. Garanti, orijinal olmayan şarj aletinin kullanılmasından kaynaklanan herhangi bir sorumluluk kabul etmez.

Herhangi bir sıvının/ateş kaynağının yakınındayken şarj etmeyin, her zaman yanıcı maddelerden kaçının. Şarj olurken cihazı gözetimsiz bırakmayın.

Şarj bağlantı noktası veya şarj kablosu ıslaksa şarj etmeyin.

Bataryanız hasar görmüşse veya su izi görüyorsa şarj etmeyin veya kullanmayın.

Şarj arayüzü özel yuva ile sağlanır. Cihaza zarar verebilecek şekilde konektörü takmak için zorlamayın.

Batarya şarj olurken şarj göstergesi kırmızıdır. Şarj tamamlandığında gösterge yeşildir.

Şarj aleti göstergesi yeşil olduğunda şarj aletini çıkarın. Aşırı şarj veya aşırıdeşarj, pilde geri dönüşü olmayan hasara veya mal kaybına neden olur. Şarj aleti göstergesi, sürüşten sonra şarj olurken hemen yeşile dönerse, lütfen şarj aletinin bağlantısını kesin ve şarj etmeden önce bataryanın soğumasını bekleyin. Bu, bataryanın yüksek iç sıcaklığından dolayı akıllı korumanın normal olgusudur. Batarya soğuduktan sonra şarj işlemi başlayabilir.

Aşağıdaki önerilen süre sonunda batarya tamamen şarj olmazsa, şarjı durdurun ve şarj aletinin bağlantısını kesin. Daha fazla bilgi için müşteri hizmetleri ile iletişime geçin.

Şarj bağlantı noktası, her şarjdan sonra ekli lastik kapakla kapatılmalıdır. Bataryayı tutarken her zaman ekstra özen gösterin.

Kullanım, şarj veya saklama sırasında batarya anormal derecede ısınırsa veya koku, renk değişikliği, deformasyon veya diğer anormal durumlar algılanırsa bataryayı kullanmayı bırakın.

Batarya aşağıdaki sıcaklık aralıklarında kullanılabilir. Bu aralıkları aşmayın.

Çalıştırma Sıcaklığı: -10-60°C (Batarya performansı sıcaklığa göre değişir)

Şarj Sıcaklığı: 10-45°C

Depolama ve Taşıma Sıcaklığı: -10-45°C

Depolama Nemi: %10-80

XI. Kullanım bilgileri

Ürün Adı	Acer Elektrikli Skuter ES Serisi 5
Model	AES015
Boyutlar, açılmış	118U x 49G x 125Y (cm)
Boyutlar, katlanmış	118U x 49G x 55Y (cm)
Ağırlık dahil pil	18,5Kg
Motor	350W
Batarya	15Ah
Batarya türü	lityum iyonik
Batarya üreticisi	TIANHONG
Şarj oluyor	42V/2,0A
Adaptör Üreticisi: FUYUANDIAN, Model No.: FY-4202000	
Tam şarj süresi	4 saat
Azami hız	20 km/s veya 25 km/s (Ülke düzenlemelerine bağlıdır)
Şarj olmadan maksimum mesafe	60 Km
Hız regülasyonu	Evet
Hız modları	3
Hız modları seviyesi	0-6 km/s; 0-10 km/s; 0-20 veya 25 km/s (Ülke düzenlemelerine bağlıdır)
Katlama mekanizması	Evet
Ana malzeme	alüminyum alaşımlı güverte, çelik ön boru
Maksimum yük	100 kg'a kadar
Boşluk	11 cm
Yükseklik ayarlı gidon	Hayır
Frenler	ön elektronik fren ve arka disk fren
Ekran	LED ekran

Tekerlek amortisörü	Evet
Tekerlekler	kati lastik tekerlek
Lastik malzemesi	kauçuk
Tahrik ünitesi	Önden çekişli
Tekerlek çapı	10"
Su geçirmez	IPX4
Reflektörler	Evet
Far	Evet
Uygulama	Hayır
Ses sinyali	Evet
Arka ışık	Evet
Bluetooth	Evet
Tırmanma Yeteneği	10°

XII. Diğerleri

1. Üretici tarihi Ürün etiketinde belirtilmiştir

2.  Depolama

Bu ürünü kuru, serin ve güvenli bir yerde saklayın, nemden ve yüksek sıcaklıklardan kaçının. Nem elektrikli bileşenlerin hasar görmesine neden olabilir. Lityum pil arızalandığında, lütfen yerel geri dönüşüm ajansınızla iletişime geçin ve lityum pili ulusal veya yerel yasa ve yönetmeliklere uygun olarak atın.

- Çalıştırma Sıcaklığı: -10-60°C
- Şarj Sıcaklığı: 10-45°C
- Depolama ve Taşıma Sıcaklığı: -10-45°C
- Depolama Nemi: %10-80

3. Bu ürün diğer evsel atıklarla birlikte atılmamalıdır. Lütfen çevre kirliliğini en aza indirmek için yerel düzenlemelere uygun olarak geri dönüştürün veya yerel belediye ofisi, evsel atık imha servisi ile iletişime geçin.

4. 1) Cihazlar, deniz seviyesinden 2000 m'den daha yüksek rakımlarda kullanılmak üzere tasarlanmamıştır.
- 2) UV ışınlarına, Yağmura ve Elementlere Uzun Süre Maruz Kalma Muhafaza Malzemesine Zarar Verebilir, Kullanılmadığı Zaman İç Mekanda Depolayın.
- 3) UYARI - Yangın Riski - Kullanıcı Tarafından Servis Yapılabilecek Parçalar Yoktur.

acer

Acer Incorporated
8F, 88, Sec. 1, Xintai 5th Rd., Xizhi
New Taipei City 221, Taiwan

AB Uygunluk Beyanı

Biz,

Acer Incorporated
8F, 88, Sec. 1, Xintai 5th Rd., Xizhi, New Taipei City 221, Taiwan

Ve

Acer Italy s.r.l.
Viale delle Industrie 1/A, 20044 Arese (MI), İtalya
Tel: +39-02-939-921, Faks: +39-02 9399-2913
www.acer.it

Ürün: Acer Elektrikli Skuter ES Serisi 5
Ticari Adı: acer
Model Numarası: AES015
SKU Numarası: AES015 *****
(**)=0~9, a~z, A~Z ya da Boşluk)

Biz, Acer Incorporated olarak biz işbu belge ile kendi vereceğimiz karar üzerine yukarıda açıklanan ürünün ilgili Birlik uyum yasasına uygun olduğunu beyan ederiz: Makine Yönergesi 2006/42/EC ve RoHS Yönergesi 2011/65/EU. Aşağıdaki uyum standartları ve/veya diğer ilgili standartlar uygulanmıştır:

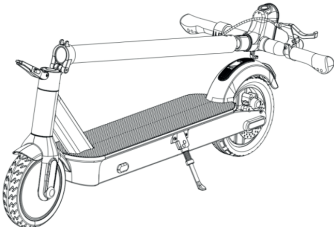




EN 17128:2020	EN 301 489-17 V3.2.4
EN 300 328 V2.2.2	EN 62479:2010
EN 301 489-1 V2.2.3	EN IEC 63000:2018

CE işaretinin takılmaya başladığı yıl: 2022.

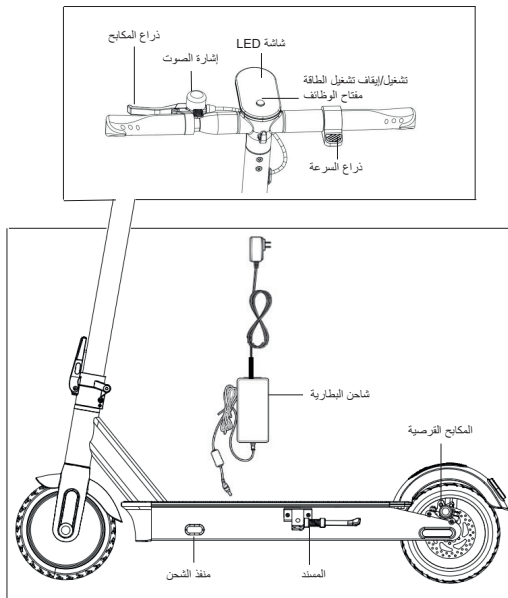
Ru Jan / Üst Düzey Yönetici
Acer Incorporated (Taipei, Taiwan)

5/16/2022
Tarih

١. محتويات العبوة

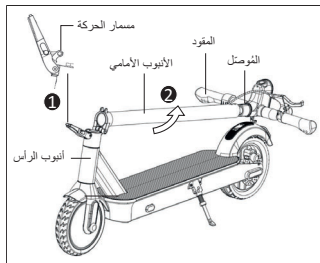
	<p>١ × سكوتر</p>
	<p>١ × مفتاح ربط سداسي 3 مم</p>
	<p>١ × دليل المالك</p>
	<p>١ × شاحن بطارية</p>
	<p>4 قطع × برغي غاطس 14L*M5</p>

٢. الأجزاء



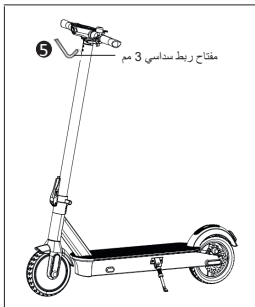
III. التجميع

- 1 افتح ذراع الطي تمامًا لكشف مسمار الحركة.
- 2 ارفع الأنبوب الأمامي مع المفصل والمقود، مستويًا مع أنبوب الرأس.



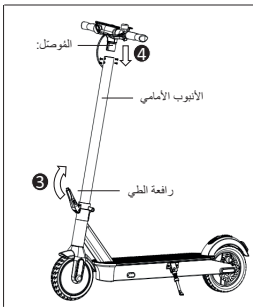
- مقود
- خطاف التثبيت
- المفصل
- براغي سداسية M5 (4 قطع)
- مفتاح ربط سداسي 3 مم (مرفق)
- الأنبوب الأمامي

- 5
- مفتاح ربط سداسي 3 مم



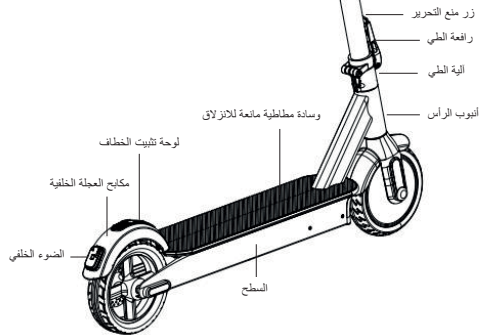
- 4
- المفصل:

- الأنبوب الأمامي
- رافعة الطي
- 3



- 5
- اربط جميع البراغي السداسية الأربعة الموجودة على الأنبوب الأمامي بواسطة مفتاح الربط السداسي قياس 3 مم المرفق.

- 8
- اقفل ذراع الطي.
- 4
- ادخل المفصل في الأنبوب الأمامي.

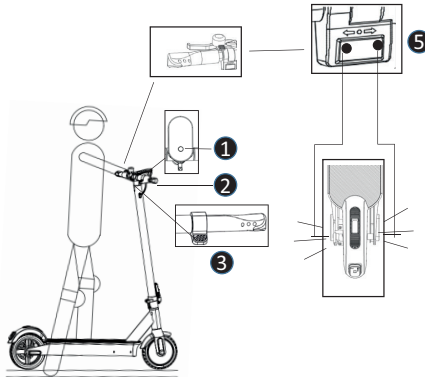


IV. شحن البطارية

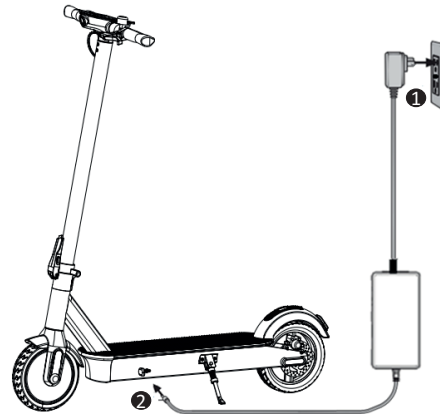
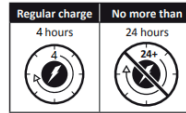
V. طريقة الاستخدام

تشغيل الاسكوتر

1. اضغط مع الاستمرار على زر الطاقة لمدة 3 ثوان لت تشغيل السكوتر.
اضغط على زر الطاقة مرة واحدة لفترة قصيرة لتشغيل/إيقاف تشغيل الضوء.
اضغط على زر الطاقة باستمرار لمرة لتبديل أنظمة السرعة.
اضغط على زر الطاقة باستمرار لمدة 3 مرات للتبديل بين كم/س وميل/س (km/h & mph).
2. امسك المقود بإحكام بكتا اليدين.
3. اخطو على السطح بقدم واحدة، واركل الأرض بالقدم الأخرى للمساعدة في الإسراع، واضغط على ذراع التسريع برفق.
4. ضع كلا القدمين على السطح بعد بدء التشغيل.
5. إشارة الإنعطاف (اختياري).

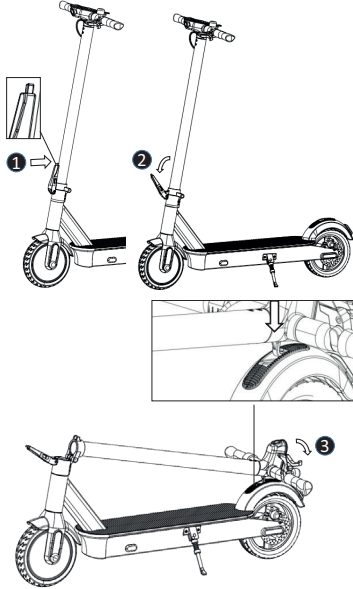


ملاحظة: يُضيء ضوء الشاحن باللون الأحمر عند الشحن ويتحول إلى اللون الأخضر عند اكتمال الشحن.



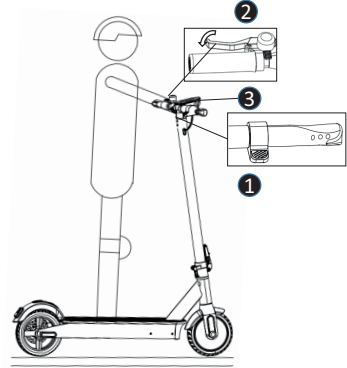
طي السكوتر

1. اضغط على زر منع التحرير.
2. افتح ذراع الطي.
3. قم بطي الأنيوب الأمامي للخلف واقلب خطاف التثبيت بلوحة التثبيت على قرامل العجلة الخلفية.

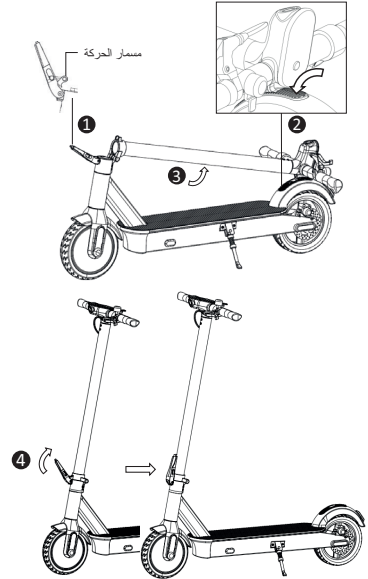


إيقاف الأسكوتر

1. حرر ذراع التسارع.
2. استخدم المكابح بالضغط على ذراع فرامل اليد الأمامية.
3. اضغط على زر الطاقة في حالة عدم الاستخدام.



1. افتح ذراع الطي تمامًا لكشف مسمار الحركة.
2. اضغط على لوحة تثبيت الخطاف لتحريك خطاف التثبيت.
3. ارفع الأنبوب الأمامي.
4. اقل ذراع الطي.

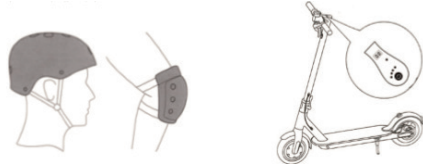


VI. طريقة استكشاف الأخطاء وإصلاحها

رمز العطل	مقدمة وترتيب رمز الخطأ	الترتيب
0E	طاقة البطارية منخفضة	اشحن البطارية بالكامل
1E	شحن زائد في البطارية	قم بإزالة الشاحن. يُرجى الاتصال بمركز خدمة معتمد إذا لم يتم التخلص من رمز الخطأ.
2E	فشل وحدة التحكم	يُرجى الاتصال بمركز خدمة معتمد.
3E	درجة حرارة زائدة على وحدة التحكم، ابدأ برنامج الحماية	رجاءًا لا تستخدم السكوتر في الوقت الراهن. انتظر حتى تنخفض درجة الحرارة وحاول مرة أخرى.
4E	سلك الإشارة قد يكون مفكوكًا أو تم إسقاطه	يُرجى الاتصال بمركز خدمة معتمد.
5E	اتصال مفقود بين المحرك وجهاز التحكم	يُرجى الاتصال بمركز خدمة معتمد.
6E	فشل المُسرِّع	يُرجى الاتصال بمركز خدمة معتمد.
7E	فشل نظام المكابح	يُرجى الاتصال بمركز خدمة معتمد.
8E	تيار زائد، ابدأ برنامج الحماية	أوقف السكوتر وأعد تشغيله لاحقًا. يُرجى الاتصال بمركز خدمة معتمد إذا لم يتم التخلص من رمز الخطأ.
9E	حركة محرك متوقفة	أوقف السكوتر وأعد تشغيله لاحقًا. يُرجى الاتصال بمركز خدمة معتمد إذا لم يتم التخلص من رمز الخطأ.

VII. القيادة والسلامة

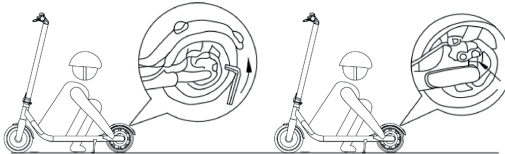
تُعد عملية التعلم ضرورية لاستخدام هذا الجهاز. قد يتسبب استخدامه بدون عملية تعلم صحيحة في حدوث إصابات. استخدم وسائل الحماية لمنع الضرر. وبمجرد إكمال هذه الخطوات، يُمكنك تشغيل السكوتر الكهربائي:



ضبط المكابح

تحقق من المكابح قبل كل استخدام. إذا شعرت أن المكابح ضيقة للغاية، استخدم المفتاح السداسي في عكس اتجاه عقارب الساعة لفك البراغي الموجودة على لوحة الضغط على مقعد قرص المكابح، ثم حرر خط الفرامل لتقصير الطول المكشوف قليلاً واحكم ربط براغي لوحة الضغط. وإذا شعرت أن المكابح مرتخية للغاية، قم بفك البراغي الموجودة على لوحة الضغط، واسحب كابل المكابح لإطالة الطول قليلاً ثم اقلب البراغي الموجودة على لوحة الضغط.

تحذير! عند الكبح بشدة، فإنك تخاطر بحدوث إصابة خطيرة بسبب فقدان الجر والسقوط. حافظ على سرعة معتدلة واجتنب عن المخاطر المحتملة.



البطارية لا تشحن

طريقة الترتيب:

1. لم يتم إدخال القابس بشكل صحيح.
2. الشاحن تالف، استخدم شاحن جديد.
3. سلك البطارية مفكوك، أعد توصيل الأطراف.

عدد الأميال غير كافية بعد الشحن

طريقة الترتيب:

1. الشحن غير كافي، اشحن البطارية بالكامل.
2. منحدر صاعد ورياح معاكسة ثقيلة، حمولة ثقيلة، سطح طريق ضعيف ودرجة حرارة منخفضة.
3. تم فك الجهاز المتصل بين البطارية ومنفذ الشحن، وأعد توصيل الأطراف.

السرعة منخفضة للغاية

طريقة الترتيب:

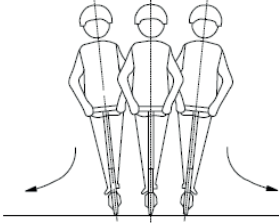
1. جهد البطارية منخفض جداً، قم بشحن البطارية بالكامل.

المكابح لا تعمل

طريقة الترتيب:

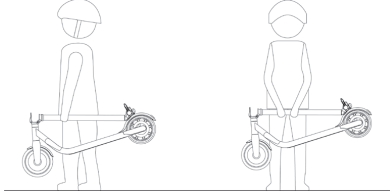
1. كابل المكابح طويل جداً، أعد إحكام ربط كابل المكابح.
 2. في حالة تلف وسادة المكابح، استبدله بقطعة أصلية.
- ملاحظة:** عند اكتشاف عطل، يُرجى الاتصال بمركز خدمة معتمد. لا تقم بإصلاح أو تعديل السكوتر بنفسك، فقد يتسبب ذلك في قيود الضمان والإصابات.

ابحث عن وضعية التوازن لتدور باستمرار:



الطي والنقل

بمجرد طيها، امسك الاسكوتر الكهربائي من الشريط لنقله كما هو موضح في الشكل:

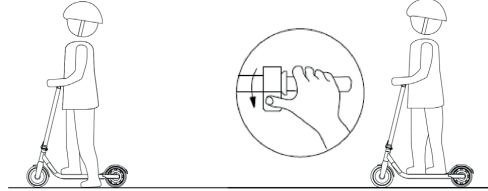


⚠ تحذيرات: قد يؤدي عدم اتباع هذه التعليمات إلى حدوث إصابات خطيرة.

- لا تتركب الاسكوتر الكهربائي في المطر.
- لا تجعله يتبلل.
- راقب رأسك عند المرور عبر المداخل.
- حافظ على سرعتك بين 3.1-6.2 ميل/الساعة (5-10 كم/ساعة) عند الركوب عبر مطبات السرعة، أو عتبات أبواب المصاعد، أو الطرق الوعرة أو الأسطح الأخرى غير المستوية. ثني ركبتيك قليلاً لضبط الأسطح المذكورة بشكل أفضل.

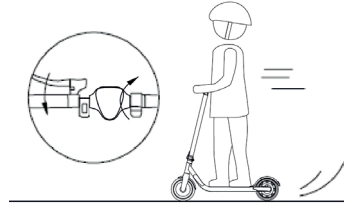
طريقة الاستخدام

حافظ على قدم واحدة على اللوح وقدم واحدة على الأرض. انغمس بقدمك على الأرض، عندما تصل السرعة إلى 3 كم/ساعة ابدأ التسارع. ضع قدمًا أخرى على اللوح وقم بالتسريع بشكل مناسب أو حافظ على سرعة معينة. وهذا لسلامتك، ضروري لبدء الحركة.



سرعة ثابتة

إذا ما استمرت في الضغط على دواسة السرعة، فسيتم تثبيت السرعة لتوفير راحة أكبر أثناء السفر. لإلغاء هذه الوظيفة، يُرجى تفعيل المكابح.



- افحص المحامل دوريًا بحثًا عن الرطوبة والأوساخ. جفف ونظف المحامل. وإذا لزم الأمر، قم بتنشيم المحامل بعد التنظيف. فقط قم باستخدام مواد التنشيم المناسبة لهذا الغرض. وتحقق أيضًا من موضع التوجيه للتأكد من أن هذا المنتج آمن.
- لا يجب أن يتم إجراء أي تعديلات بخلاف تعليمات الشركة المُصنعة.
- عندما تفقد الصواميل ذاتية القفل وغيرها من المثبتات ذاتية القفل فعاليتها.
- تجنب القيادة على المنحدرات الشديدة.

- لا تترك قدميك على الحاجز الخلفي.
- لا تضغط على دواسة الوقود عند المشي باستخدام الاسكوتر الكهربائي.
- تجنب ملامسة العوائق بالإطار/العجلة.
- لا تحمل أشياء ثقيلة على المقود.
- لا تركب الاسكوتر الكهربائي بقدم واحدة فقط.
- لا تركب على الطرق العامة أو الطرق السريعة.
- لا تقم بتدوير المقبض بعنف أثناء القيادة بسرعة عالية.
- لا تركب السلالم لأعلى ولأسفل أو تقفز فوق العوائق.
- لا ترفع يديك عن المقود أثناء الركوب. لا تترك بيد واحدة فقط.
- لا تجتاز البرك أو أي عوائق (مائية) أخرى. في مثل هذه الحالة، يرجى خفض سرعتك وتجاوز العائق.
- لا تحمل أي ركاب. الاسكوتر الكهربائي مُخصص لراكب واحد فقط.
- لا تحمل طفلًا.
- لا تركبي أثناء الحمل.
- لا تستخدم الهاتف المحمول أو ترندي سماعات الأذن عند تشغيل الاسكوتر الكهربائي.
- لا تلمس محرك المحور بعد الركوب لأنه قد يكون ساخنًا.
- حافظ على كلتا يديك على المقود دائمًا وإلا فإفك أخطار حدوث إصابة خطيرة بسبب فقدان التوازن والسقوط.
- مُخصص فقط للاستخدام في الطقس الجاف.
- لا نُوصي باستخدامه على الطرق العامة.
- لا تدور بعنف عند القيادة بسرعة.
- لا تبدأ التشغيل أو تتوقف فجأة.
- تأكد من أن سرعة الاسكوتر الكهربائي آمنة لك وللآخرين وكُن مستعدًا للتوقف في أي وقت أثناء تشغيله.
- عند قيادة الاسكوتر الكهربائي، يُرجى البقاء على مسافة من الآخرين لتجنب الاصطدامات.
- عند الاستدارة، يجب أن تستخدم مركز الثقل بجسمك؛ يمكن أن يتسبب التغيير العنيف في مركز الثقل في حدوث ضرر.

VIII. التنظيف والصيانة

يُمكن استخدام هذا الاسكوتر الكهربائي كوسيلة للنقل وبالتالي يتطلب صيانة جميع مكوناته التي تعاني من التلف بسبب استخدامها ولا يغطيها الضمان.

التنظيف

تأكد من إيقاف تشغيل الاسكوتر الكهربائي، وأن كابل الشحن غير موصل، وأن الغطاء المطاطي الموجود على منفذ الشحن مغلق بإحكام قبل التنظيف؛ وإلا فقد تتلف المكونات الإلكترونية. دائماً، قم بفصل المنتج عن الشاحن أولاً، وقم بتغطية قابس الشحن المقاوم للماء، وقم بإيقاف تشغيل طاقة المنتج، وتجنب ملامسة السوائل للبطارية والمحرك والأجزاء الإلكترونية الأخرى أثناء التنظيف لتجنب المخاطر غير المتوقعة. لا تستخدم مياه عالية الضغط لتنظيف المنتج أو نغعه في الماء.

لتنظيف الاسكوتر الكهربائي، استخدم قطعة قماش مبللة. إذا كنت بحاجة إلى كشط الأوساخ، استخدم فرشاة ناعمة ثم قطعة قماش مبللة.

تأكد من تغطية منفذ الشحن لتجنب مشاكل المكونات الإلكترونية.

لا تستخدم الكحول أو البنزين أو غيرها من المكونات الكيميائية المتطايرة أو المسببة للتآكل. فقد يؤدي ذلك إلى إتلاف كل من الشكل الخارجي والهيكل الداخلي للاسكوتر الكهربائي. وأيضاً، لا تستخدم مسدس ماء الضغط أو الماء الجاري.

الوقاية

خزن الاسكوتر الكهربائي في مكان بارد وجاف عندما لا يكون قيد الاستخدام. تجنب تركه بالخارج، فلم يتم تصنيعه للاستخدام في المناطق الرطبة، بالقرب من العوامل المسببة للتآكل مثل مياه البحر والموانئ وما إلى ذلك. كما أنه لا يُوصى بتعرضه لدرجات حرارة عالية ناتجة عن أشعة الشمس المباشرة لفترة طويلة.

IX. التعامل مع البطارية والإجراءات المحظورة

لا تستخدم طرّاً أو ماركات أخرى من البطاريات، استخدم فقط البطارية الأصلية.

لا تضع البطارية في بيئة ذات درجات حرارة عالية أعلى من 50 درجة مئوية أو أقل من -20 درجة مئوية (على سبيل المثال، لا تضع الاسكوتر الكهربائي داخل صندوق السيارة في فصل الصيف)، ولا تضع البطارية في أماكن قريبة النار. وإلا، فقد يتسبب ذلك في تعطل البطارية وزيادة سخونها وحتى خطر نشوب حريق.

تجنب تبريق البطاريات تماماً، يُفضل شحنها بينما لا تزال هناك طاقة بداخلها. فهذا سيؤدي إلى إتالة عمر البطارية. وأيضاً إذا كنت تود الاسكوتر الكهربائي في مناطق شديدة البرودة أو دافئة، فيمكنك تقليل وقت استخدام البطاريات. الأمر ليس فشلاً في البطاريات، ولكنه سلوك طبيعي.

في حالة عدم الاستخدام لأكثر من 30 يوماً، قم بشحن البطارية بالكامل وخزنه في مكان بارد وجاف واشحن البطارية بالكامل كل 60 يوماً. قد يؤدي عدم اتباع هذه الخطوات إلى تلف البطارية، والضمان لا يُغطي مثل هذا التلف.

يحظر تفكيك حجرة البطارية. يُسمح فقط تغييرها في الصيانة الفنية الرسمية أو في ورش العمل.

للشحن، استخدم الشاحن الأصلي فقط، وإلا سيكون هناك خطر حدوث تلف أو نشوب حريق.

يمكن أن يتسبب التخلص غير الكافي من البطاريات المستعملة في حدوث تلوث بيئي خطير. التزم باللوائح المحلية عند التخلص من هذه البطارية.

قم بإعادة شحن البطارية بعد كل استخدام، وهذا سوف يُطيل من عمر البطارية.



خطراً!

تحتوي خلية البطارية على مواد خطيرة قابلة للاشتعال. يمكن أن يؤدي سوء التعامل معها إلى نشوب حريق ودخان وانفجار وحدوث إصابة شخصية خطيرة أو فقدان في الممتلكات. اقرأ دائماً الإجراءات المحظورة التالية وامتلئ لها، وقم بتجهيز أدوات الحماية المناسبة قبل إجراء أي عملية متعلقة بالبطارية.

حافظ على البطارية بعيداً عن متناول الرضع والأطفال لتجنب أي حوادث. إذا كان الأطفال الصغار يستخدمون البطارية، فيجب على أولياء أمورهم شرح طريقة التعامل المناسبة واحتياطات قبل الاستخدام، والتأكد الدائم من سلامة البطارية.

استخدم فقط الشاحن المخصص واشحن البطارية بالطريقة المخصصة فقط. لا تشحن البطارية عن طريق مأخذ كهربائي مباشر أو شاحن ولاعة سجانر السيارة. لا تشحن البطارية دون مراقبة.

- لا تشحن البطارية بشكل عكسي.
- لا تترك البطارية بالقرب من النار أو مصدر ذا درجة حرارة عالية ولا تلمس البطارية في النار.

- لا تستخدم البطارية في سيارة أو مكان مشابه حيث قد تزيد درجة الحرارة الداخلية عن 50 درجة مئوية.
- لا تغمر أو تلمس أو تبلل البطارية في الماء/ماء البحر وما إلى ذلك.
- لا تقصر الدائرة الكهربائية أو توصل (+) طرفي موجب و (-) سالب بجسم معنني. لا تخزن البطارية في جيب أو حقيبة مع أشياء معدنية مثل المفاتيح أو القلائد أو دبائيس الشعر أو العملات المعدنية أو البراغ.
- لا تخزق البطارية بأداة حادة مثل إبرة أو مفكات براغي.
- لا تقم بتسخين منطقة جزئية من البطارية بأشياء ساخنة مثل لحم الحديد.
- لا تطرق بأشياء ثقيلة مثل المطرقة والوزن. لا تخطو على البطارية وتلفي بالبطارية أو تسقطها لتجنب الصدمة الميكانيكية. لا تستخدم بطارية مشوهة بشكل خطير.
- لا تقم بتفك البطارية أو تعديل تصميم البطارية بما في ذلك الدائرة الكهربائية.
- لا تقم بلحام البطارية مباشرة أو تستخدم أو تجمع البطاريات القديمة والجديدة معاً.
- لا تضع البطارية في فرن الميكروويف أو المجفف أو حاوية الضغط العالي.
- لا تستخدم أو تجمع البطارية مع بطاريات صناعيين آخرين، وأنواع و/أو طرازات مختلفة من البطاريات مثل البطاريات الجافة أو بطاريات الهيدروجين من معدن النيكل أو بطاريات النيكل والكاديوم.
- تحفظ بعيداً عن النار فور اكتشاف تسرب أو ورائح كريهة. إذا ما تسرب السائل على بشرتك أو ملابسك، فوراً اغسلها جيداً بالماء. إذا تسرب سائل من البطارية إلى عينيك، فلا تفرك عينيك وتغسلهما بالماء النقي وتوجه إلى الطبيب على الفور. إذا أصبحت أطراف البطارية متسخة، امسحها بقطعة قماش جافة قبل استخدام البطارية.
- لا تضع البطارية في مكان مغلق أو تحت سجاد أو بطانية أو في مكان غير جيد التهوية. إذا أصبحت أطراف البطارية متسخة، امسحها بقطعة قماش جافة قبل استخدام البطارية.
- قد بتغطية الأطراف بشريط عازل مناسب قبل التخلص منها.
- اقرأ دائماً دليل المستخدم والتزم باحتياطات المعالجة قبل استخدام/تركيب/إزالة البطارية أو استخدام الشاحن.
- استبدل البطارية عندما يصبح استخدام البطارية أقصر بكثير من المعتاد.
- إذا كانت هناك حاجة لتخزين البطارية لفترة طويلة، فيجب إزالة البطارية من التطبيق وتخزينها في مكان تكون فيه الرطوبة ودرجة الحرارة منخفضة.
- أثناء شحن البطارية واستخدامها وتخزينها، احتفظ بها بعيداً عن المواد التي تحتوي على كبرياء ساكنة. لا يمكن استخدام بطارية غير قابلة لإعادة الشحن كبديل.
- يجب إخراج البطارية من الجهاز قبل التخلص منها.
- يجب فصل الجهاز عن مصدر التيار الكهربائي عند إزالة البطارية.
- لا تحاول تفكيك البطارية. لا تلمس موصلات البطارية. لا تقم بفك أو ثقب الغلاف.
- حافظ على موصلات البطارية بعيداً عن الأجسام المعدنية لمنع حدوث ماس كهربائي. خطر نشوب حريق وحدث صدمة كهربائية. لا تقم بشحن أو استخدام البطارية في حالة تلفها أو رؤية أثر للماء.
- في حالة وقوع حادث أو عطل: يُرجى الاتصال بفني إصلاح معتمد في بلدك.
- على المستخدم الاتصال بخدمة العملاء المعتمدة أو المتخصصة.



تحذير!

- لا تستخدم البطارية في حالة توليد الكهرباء الساكنة (أكثر من 100 فولت)، حيث ستنتفج دائرة حماية البطارية.
- لا تقم بإزالة البطارية. تُعد عملية إزالة البطارية أمراً معقداً ويمكن أن يغير تشغيل الآلة. يجب عليك الاتصال بمركز الخدمة المعتمد فقط لتشغيل البطارية.
- لا تقم بتخزين أو شحن البطارية في درجات حرارة خارج الحدود المذكورة (انظر في هذا الدليل). لا تنقب البطارية. راجع القوانين واللوائح المحلية لديك فيما يتعلق بإعادة تدوير البطاريات و/أو التخلص منها.
- يُمكن للبطارية التي يتم صيانتها جيداً أن تعمل بشكل جيد حتى بعد عدة أميال من الركوب. اشحن البطارية بعد كل رحلة وتجنب استنزاف البطارية تماماً.

تحفظ بعيداً عن النار فور اكتشاف تسرب أو ورائح كريهة. إذا ما تسرب السائل على بشرتك أو ملابسك، فوراً اغسلها جيداً بالماء. إذا تسرب سائل من البطارية إلى عينيك، فلا تفرك عينيك وتغسلهما بالماء النقي وتوجه إلى الطبيب على الفور. إذا أصبحت أطراف البطارية متسخة، امسحها بقطعة قماش جافة قبل استخدام البطارية.

قد بتغطية الأطراف بشريط عازل مناسب قبل التخلص منها.

اقرأ دائماً دليل المستخدم والتزم باحتياطات المعالجة قبل استخدام/تركيب/إزالة البطارية أو استخدام الشاحن.

استبدل البطارية عندما يصبح استخدام البطارية أقصر بكثير من المعتاد.

إذا كانت هناك حاجة لتخزين البطارية لفترة طويلة، فيجب إزالة البطارية من التطبيق وتخزينها في مكان تكون فيه الرطوبة ودرجة الحرارة منخفضة.

أثناء شحن البطارية واستخدامها وتخزينها، احتفظ بها بعيداً عن المواد التي تحتوي على كبرياء ساكنة.

لا يمكن استخدام بطارية غير قابلة لإعادة الشحن كبديل.

يجب إخراج البطارية من الجهاز قبل التخلص منها.

يجب فصل الجهاز عن مصدر التيار الكهربائي عند إزالة البطارية.

لا تحاول تفكيك البطارية. لا تلمس موصلات البطارية. لا تقم بفك أو ثقب الغلاف.

حافظ على موصلات البطارية بعيداً عن الأجسام المعدنية لمنع حدوث ماس كهربائي. خطر نشوب حريق وحدث صدمة كهربائية. لا تقم بشحن أو استخدام البطارية في حالة تلفها أو رؤية أثر للماء.

في حالة وقوع حادث أو عطل: يُرجى الاتصال بفني إصلاح معتمد في بلدك.

على المستخدم الاتصال بخدمة العملاء المعتمدة أو المتخصصة.

X. الشحن/التفريغ وتخزين البطارية



تحذير: إلترم دانما بالرسالة التالية.

استخدام الشاحن الأصلي فقط، وقد يتسبب الاستخدام غير السليم في حدوث إصابة شخصية وفقدان الممتلكات. ولا يتحمل الضمان أي مسؤولية ناجمة عن استخدام شاحن غير أصلي.

لا تقم بالشحن بالقرب من أي مصدر للسوائل/النار، ودائمًا تجنب المواد القابلة للاشتعال. لا تترك الجهاز دون مراقبة أثناء الشحن.

لا تقم بالشحن إذا كان منفذ الشحن أو كابل الشحن رطبًا.

لا تقم بشحن أو استخدام البطارية في حالة تلفها أو رؤية أثر للماء.

واجهة الشحن مزودة بفتحة خاصة. لا تُدخل الموصل بالقوة، فهذا قد يؤدي إلى تلف الجهاز.

يكون مؤشر الشاحن باللون الأحمر أثناء شحن البطارية. وعند اكتمال الشحن يكون المؤشر باللون الأخضر.

قم بإزالة الشاحن عندما يكون مؤشر الشاحن باللون أخضر. حيث سيؤدي الشحن الزائد أو التفريغ الزائد إلى تلف لا يمكن إصلاحه للبطارية أو فقدان في الممتلكات. وإذا تحول مؤشر الشاحن إلى اللون الأخضر فورًا أثناء الشحن بعد توصيله، فيرجى فصل الشاحن ودع البطارية تبرد قبل إعادة شحنها. فهذه ظاهرة طبيعية للحماية الذكية بسبب ارتفاع درجة الحرارة الداخلية للبطارية. وعندها يمكن أن يبدأ الشحن بعد أن تبرد البطارية.

توقف عن الشحن وافصل الشاحن، إذا لم تكن البطارية مشحونة بالكامل بعد الفترة الزمنية التالية الموصى بها. للحصول على مزيد من المعلومات، اتصل بخدمة العملاء.

يجب تغطية منفذ الشحن بغطاء مطاطي بعد كل عملية شحن.

توخي الحذر دائمًا أثناء التعامل مع البطارية.

توقف عن استخدام البطارية إذا أصبحت البطارية ساخنة بشكل غير طبيعي، أو إذا كانت هناك رائحة أو تغير في اللون أو تشوه أو تم اكتشاف أي حالة غير طبيعية أخرى أثناء الاستخدام أو الشحن أو التخزين.

يمكن استخدام البطارية في نطاقات درجات الحرارة التالية. ولا تتجاوز هذه النطاقات.

درجة حرارة التشغيل: 10°C - - 60°C (يختلف أداء البطارية حسب درجة الحرارة)

درجة حرارة الشحن: 10°C - 45°C

درجة حرارة التخزين والنقل: 10°C - 45°C

رطوبة التخزين: 10% - 80%

XI. معلومات الاستخدام

اسم المنتج	Acer Electric Scooter ES Series 5
الموديل	AES015
الأبعاد غير مطوية	118 طول × 49 عرض × 125 ارتفاع (سم)
الأبعاد مطوية	118 طول × 49 عرض × 55 ارتفاع (سم)
الوزن مع البطارية	18.5 كغم
المحرك	350 واط
البطارية	15 أمبير
نوع البطارية	أيونات الليثيوم
الشركة المصنعة للبطارية	TIANHONG
الشحن	42 فولت / 2.0 أمبير
الشركة المصنعة للمحول: FUYUANDIAN، رقم الموديل: FY-4202000	
وقت الشحن بالكامل	4 ساعات
أقصى سرعة	20 كم/ساعة أو 25 كم/ساعة (وفقًا لقوانين الدول)
أقصى مسافة بدون شحن	60 كم
تنظيم السرعة	نعم
أوضاع السرعة	3
مستوي أوضاع السرعة	6-0 كم/ساعة 0-10 كم/ساعة 0-20 أو 25 كم/ساعة (وفقًا لقوانين الدول)
آلية الطي	نعم
المواد الرئيسية	سطح مصنوع من سبائك الألومنيوم، أنبوب أمامي معنني.
أقصى حمل	حتى 100 كجم
الوضوح	11 سم
ارتفاع المقود القابل للتعديل	لا
المكايح	مكايح إلكترونية أمامية وقرص مكايح خلفية
الشاشة	شاشة LED
منتص العجلة	نعم

XII. أخرى

1. تاريخ الشركة المصنعة مذكور على ملصق المنتج

2.  التخزين

قم بتخزين هذا المنتج في مكان جاف وبارد وآمن، وتجنب الرطوبة ودرجات الحرارة المرتفعة. فقد تتسبب الرطوبة في تلف المكونات الكهربائية. عند تعطل بطارية الليثيوم، يُرجى الاتصال بوكالة إعادة التدوير المحلية والتخلص من بطارية الليثيوم وفقًا للقوانين واللوائح الوطنية أو المحلية.

- درجة حرارة التشغيل: 10°C - 60°C
- درجة حرارة الشحن: 10°C - 45°C
- درجة حرارة التخزين والنقل: 10°C - 45°C
- رطوبة التخزين: 10% - 80%

3. يجب عدم التخلص من هذا المنتج مع النفايات المنزلية الأخرى. يُرجى إعادة تدويره لتقليل التلوث البيئي وفقًا للقوانين المحلية أو اتصل بمكتب المدينة المحلي أو خدمة التخلص من النفايات المنزلية.

1.4. الأجهزة غير مخصصة للاستخدام على ارتفاعات تزيد عن 2000 متر فوق مستوى سطح البحر.

2) قد يؤدي التعرض المطول للأشعة فوق البنفسجية والمطر والعناصر إلى إتلاف مادة الحاوية، وتخزينها في الداخل عندما لا تكون قيد الاستخدام.

3) تحذير - خطر نشوب حريق - عدم وجود أجزاء يمكن للمستخدم صيانتها.

العجلات	عجلة اطارات مصممة
مواد الإطارات	مطاط
وحدة القيادة	جر أمامي
قطر العجلة	10 بوصة
مقاومة للماء	IPX4
العواكس	نعم
الضوء الأمامي	نعم
التطبيق	لا
إشارة الصوت	نعم
ضوء الخلفية	نعم
البلوتوث	نعم
قدرة التسلق	10°

Acer Incorporated
8F, 88, Sec. 1, Xintai 5th Rd., Xizhi
New Taipei City 221, Taiwan

شهادة المطابقة الاتحاد الأوروبي

نحن،

Acer Incorporated
8F, 88, Sec. 1, Xintai 5th Rd., Xizhi, New Taipei City 221, Taiwan

و،

Acer Italy s.r.l
Viale delle Industrie 1/A, 20044 Arese (MI), Italy
الهاتف: +39-02-939-921، فاكس: +39-02-939-2913
www.acer.it

Acer Electric Scooter ES Series 5

المنتج:

الاسم التجاري:

acer

رقم الموديل:

AES015

رقم SKU:

AES015 *****

(****=0-9, a-z, Z-أ أو فارغ)

نحن، Acer Incorporated، بناء على مسؤوليتنا الخاصة بموجب هذه الوثيقة أن المنتج عاليه يتوافق مع المتطلبات الأساسية والأخرى التالية ذات الصلة بتنظيمات التوافق الخاصة بالاتحاد: توجيهات الآلات /2006/42 EU بخصوص الأدوات اللاسلكية، توجيهات RoHS لـ 2011/65/EU. تم تطبيق المعايير الموحدة التالية و/أو المعايير المناسبة الأخرى:

EN 301 489-17 V3.2.4

EN 17128:2020

EN 62479:2010

EN 300 328 V2.2.2

EN IEC 63000:2018

EN 301 489-1 V2.2.3

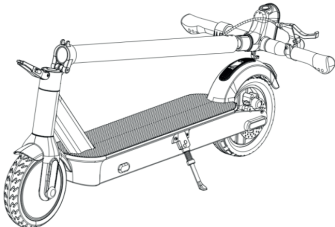




سنة لبدء ملحق تعليم CE: 2022.

5/16/2022

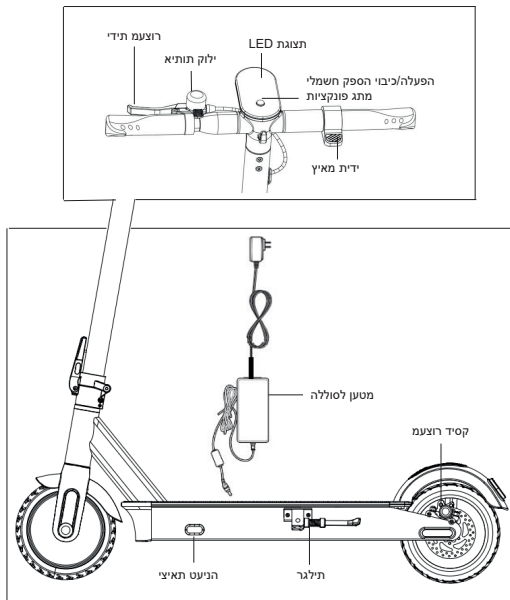
التاريخ

المدير السيد. Ru Jan
(Taiwan, Taipei) Acer Incorporated

I. תוכן תיבת דואר נכנס

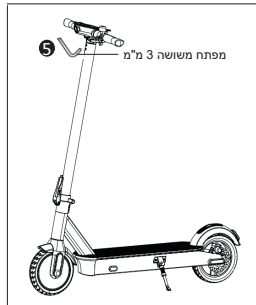
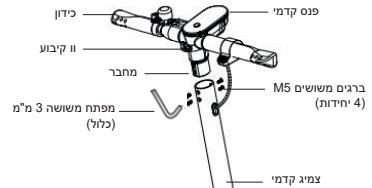
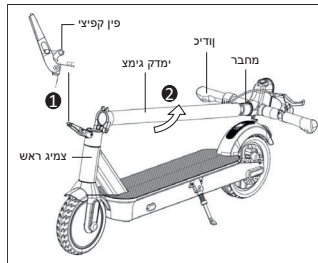
	<p>קורקינט 1*</p>
	<p>מפתח משושה 3 מ"מ 1*</p>
	<p>מדריך למשתמש 1*</p>
	<p>מטען לסוללה 1*</p>
	<p>4* בורג משוקע 14L*M5 יחידות</p>

II. חלקים

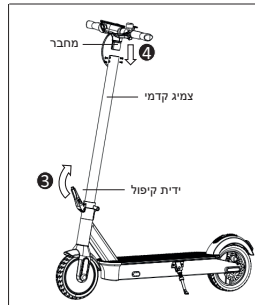


III. הרכבה

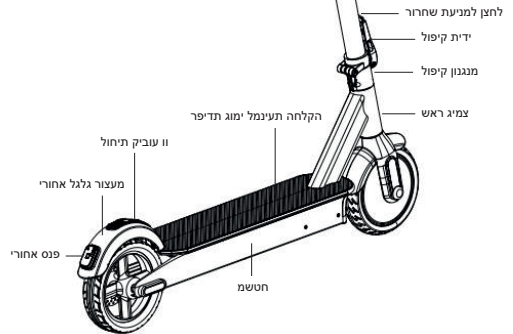
- יש לפתוח באופן מלא את ידית הקיפול כדי לחשוף את הפינ קפיצי.
- יש להרים את הצמיג הקדמי ביחד עם המחבר והכידון, וליישר עם צמיג הראש.



- יש להדק את כל 4 הברגים המשושים בצמיג הראש באמצעות המברג המשושה של 3 מ"מ שמצורף.

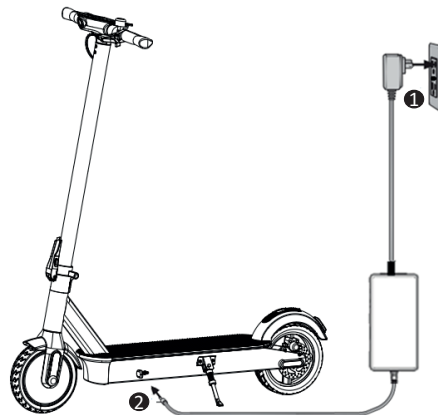
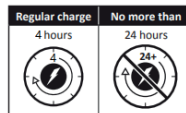


- יש לנעול את ידית הקיפול.
- יש להכניס את המחבר לצמיג הקדמי.



IV. טעינת הסוללה

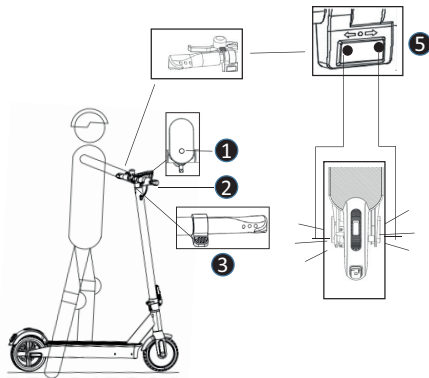
הערה: המטען מאיר באור אדום במהלך הטעינה ומשנה לזרוע כשהושלמה הטעינה.



V. שימוש

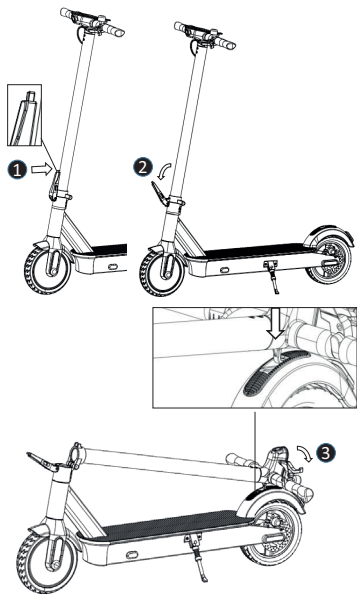
התנעת הקורקינט

1. יש ללחוץ על ולהחזיק את לחצן ההפעלה למשך 3 שניות כדי להתניע את הקורקינט. יש לבצע לחיצה קצרה על לחצן ההפעלה להדלקת/כיבוי האורות. יש ללחוץ פעמיים על לחצן ההפעלה באופן מתמשך כדי לשנות את המהירות. יש ללחוץ 3 פעמים על לחצן ההפעלה באופן מתמשך כדי להחליף בין קמ"ש למייל לשעה.
2. יש לאחוז בחוזקה בכידון תוך שימוש בשתי הידיים.
3. יש להניח רגל אחת על המשטח, ולבעוט כנגד הקרקע עם הרגל השנייה כדי לעזור בהאצה, וללחוץ בעדינות על ידית המאיץ.
4. יש לשים את שתי הרגליים על המשטח לאחר שהתחלת.
5. איתות לפנייה (אופציונלי).



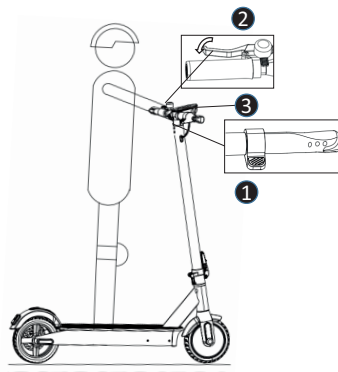
קיפול הקורקינט

1. יש ללחוץ על לחצן מניעת שחרור.
2. יש לשחרר את ידית הקיפול.
3. יש לקפל לאחור את צמיג הראש ולנעול את הווי הקיבוע ללוחית הקיבוע במעצור הגלגל האחורי.

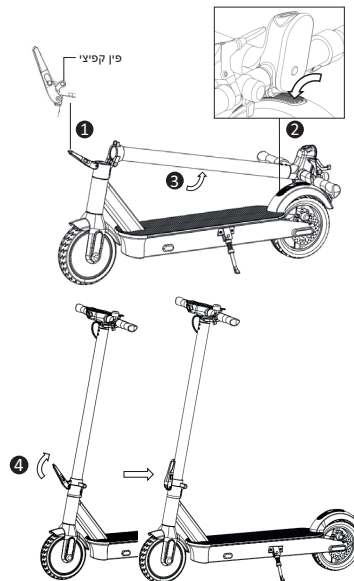


עצירת הקורקינט

1. יש לשחרר את ידית המאזן.
2. יש לעצור על ידי לחיצה כלפי מטה על ידית המעצור הידני הקדמי.
3. יש ללחוץ על לחצן ההפעלה כדי לכבות כשלא נעשה שימוש.



1. יש לפתוח באופן מלא את ידיית הקיפול כדי לחשוף את הפין הקפיצי.
2. יש ללחוץ על לוחית קיבוע הוו כדי לשחרר את וו הקיבוע.
3. יש להרים את הצמיג הקדמי.
4. יש לנעול את ידיית הקיפול.



VI. אמצעי לפתרון בעיות

מבוא וסידור קוד תקלה		
קוד תקלה	מבוא	התאמה
0E	סוללה חלשה	יש לטעון את הסוללה באופן מלא
1E	טעינת יתר של הסוללה	יש להסיר את המטען. נא לפנות למרכז שירות מורשה אם קוד התקלה ממשיך להופיע.
2E	תקלה בפקד	נא לפנות למרכז שירות מורשה.
3E	טמפרטורת יתר בפקד, יש להתחיל בתוכנית להגנה	אין להשתמש בקורקינט בינתיים. יש להמתין עד שהטמפרטורה תרד, ולנסות שוב.
4E	יתכן שחיבור האות התרופף או הושמט	נא לפנות למרכז שירות מורשה.
5E	חיבור רופף בין המנוע לפקד	נא לפנות למרכז שירות מורשה.
6E	תקלה במאיץ	נא לפנות למרכז שירות מורשה.
7E	תקלה במערכת המעצורים	נא לפנות למרכז שירות מורשה.
8E	זרם יתר, יש להתחיל בתוכנית להגנה	יש לעצור את הקורקינט ולהתניע מחדש מאוחר יותר. נא לפנות למרכז שירות מורשה אם קוד התקלה ממשיך להופיע.
9E	רטור נעול במנוע	יש לעצור את הקורקינט ולהתניע מחדש מאוחר יותר. נא לפנות למרכז שירות מורשה אם קוד התקלה ממשיך להופיע.

VII. רכיבה ובטיחות

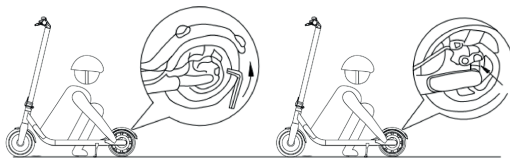
נדרש ביצוע תהליך למידה לשימוש בהתקן. שימוש בקורקינט ללא תהליך למידה הולם עלול להביא לפגיעה גופנית. חשוב להשתמש באמצעי מיכון כדי למנוע נזק. לאר השלמת שלבים אלו, באפשרותך להתניע את הקורקינט החשמלי:



כוננו מעצורים

חשוב לבדוק את המעצורים לפני כל רכיבה. אם לדעתך המעצור הדוק מדי, יש להשתמש במברג המשושה כנגד כיוון השעון כדי לשחרר את הברגים בלוחית הלחץ שבמושב מעצור הדיסק, לשחרר את קו המעצור כדי לקצר מעט את האורך החשוף, ולהדק את הברגים של לוחית הלחץ. אם לדעתך המעצור רפוי מדי, יש לשחרר את הברגים בלוחית הלחץ, לגרור את כבל המעצור כדי להאריך מעט, ולאחר מכן לנעול את הברגים של לוחית הלחץ.

אזהרה! כשמבוצעת עצירה חזקה, מדובר בנטילת סיכון לפגיעה חמורה עקב איבוד אחיזה ונפילה. יש לשמור על מהירות מתונה, ולשים לב לקיום סכנות אפשריות.



הסוללה לא נטענת

סוג התאמה:

1. התקע לא הוכנס כשורה.
2. המטען ניזוק, יש להשתמש במטען חדש.
3. חיווט הסוללה רופף, יש לחבר מחדש את המסופים.

אין מספיק מיילים לאחר טעינה

סוג התאמה:

1. טעינה לא מספיקה, יש לטעון את הסוללה באופן מלא.
2. נסיעה בעלייה ורוחות נגד חזקות, מטען כבד, תנאי שטח קשים וטמפרטורה נמוכה.
3. המסופים שמחוברים בין הסוללה ויצאת הטעינה רופפים. יש לחבר מחדש את המסופים.

המהירות נמוכה מדי

סוג התאמה:

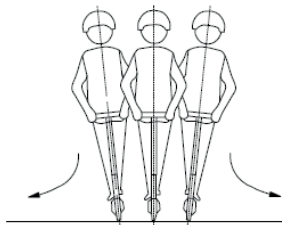
1. המתח החשמלי של הסוללה נמוך מדי, יש לטעון את הסוללה באופן מלא.

המעצור לא פועל

סוג התאמה:

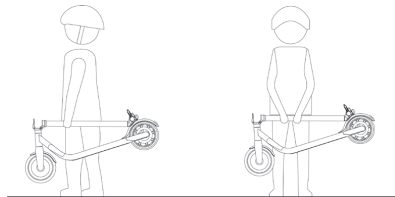
1. כבל המעצור ארוך מדי, יש להדק מחדש את כבל המעצור.
 2. אם רפידת המעצור ניזוקה, יש להחליף אותה.
- הערה:** כשמתגלה תקלה, נא לפנות למרכז שירות מורשה. אין לתקן או לשנות בעצמך את הקורקינט. הדבר עלול לגרום לפגיעה באחריות ולפגיעה גופנית.

יש לחפש תנוחה שתשמש לשיווי משקל כדי לבצע הקפות נמשכות:



קיפול והעברה

לאחר שקיפלת, יש להחזיק את הקורקינט החשמלי מהכידון כדי להעבירו כפי שמוצג בתרשים:

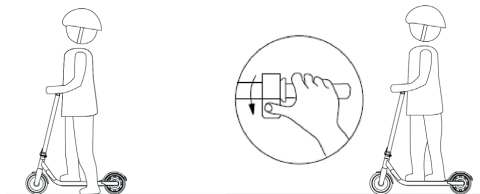


⚠ אזהרות: אי מילוי ההוראות עלול לגרום לפציעה גופנית חמורה.

• אין לרכוב על הקורקינט החשמלי בגשם.

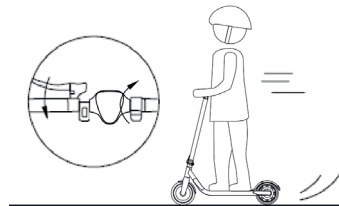
שימוש

יש להשאיר רגל אחת על המשטח, ורגל אחת על הקרקע. יש לנוע כשהרגל האחת על הקרקע, וכשהמהירות מגיעה ל-3 קמ"ש להתחיל להאיץ. יש להשאיר את הרגל השנייה על המשטח ולהאיץ באופן הולם או לשמור על מהירות מסוימת. פעולה זו נדרשת כדי להתחיל בצעידה, לבטיחותך.



מהירות נשמרת

אם נמשכת הלחיצה על המאיץ, המהירות תהיה קבועה, לקבלת נוחות נסיעה טובה יותר. כדי לבטל פונקציה זו, נא להפעיל את המעצור.



- אין להירטב.
- יש להיזהר עם הראש שלך בעת מעבר דרך כניסות ויציאות.
- יש לשמור את המהירות בין 3.1–6.2 מייל לשעה (5–10 קמ"ש) כשמבוצעת רכיבה דרך מהמורות מהירות, דלתות מעליות, דרכים עם מהמורות ומשטחים לא ישרים אחרים. יש לכופף מעט את הברך שלך כדי להתאים טוב יותר בהתמודדות עם המשטחים לעיל.
- אין להניח את כפות הרגליים שלך על הפגוש האחורי.
- אין ללחוץ על המשנק בעת הליכה עם הקורקינט החשמלי.
- יש להימנע ממגע של הצמיגים/גלגלים עם מכשולים.
- אין להניח עצמים כבדים על הכידון.
- אין לרכוב על הקורקינט החשמלי עם רגל אחת בלבד.
- אין לרכוב בדרכים לציבור, כבישים או כבישים מהירים.
- אין לסובב בצורה אלימה את הכידון בעת נהיגה במהירות גבוהה.
- אין לרכוב במעלה ובמורד המדרגות, או לקפוץ מעל מכשולים.
- אין להסיר את הידיים מהכידון במהלך הרכיבה. אין לרכוב רק עם יד אחת.
- אין לרכוב דרך שלוליות או מכשולי (מים) אחרים. במקרה דנן, נא להנמיך את המהירות ולעקוף את המכשול.
- אין לשאת נוסעים כלשהם. הקורקינט החשמלי מיועד לרכוב אחד בלבד
- אין לשאת ילד.
- אין לרכוב כשאת בהריון.
- אין להשתמש בטלפון סלולרי או לחבוש אוזניות בעת הפעלת הקורקינט החשמלי.
- אין לגעת במכסה המנוע לאחר הרכיבה בגלל שהוא עלול להיות חם.
- יש להשיגח ששתי הידיים אוחזות בכידון, אחרת קיימת סכנה לפציעה גופנית חמורה עקב איבוד שיווי המשקל ונפילה.
- יש להשתמש רק בתנאי מזג אוויר יבש.
- לא מומלץ להשתמש בדרכים לציבור.
- לעולם אין לפנות בצורה אלימה בעת נהיגה במהירות גבוהה.
- אין להתחיל או לעצור בפתאומיות.
- יש לוודא שהמהירות של הקורקינט החשמלי בטוחה בשבילך ולאחרים, ולהיות מוכן לעצור בכל עת במהלך הרכיבה.
- בעת רכיבה על הקורקינט החשמלי, נא לשמור על מרחק מאחרים כדי להימנע מהתנגשויות.
- בעת ביצוע פנייה, יש להשתמש במרכז הכובד של גופך; שינוי אליים במרכז הכובד עלול לגרום לנזק.
- יש לבדוק באופן קבוע את גוף הקורקינט החשמלי לקיום לחות ולכלוך. יש לייבש ולנקות את הגוף. במידת הצורך, יש לשמן את גוף הקורקינט לאחר ניקויו. יש להשתמש רק בחומרים משמנים מתאימים למטרה זו. יש לבדוק גם את תנחת ההיגוי כדי לוודא שהמוצר בטוח לשימוש.
- אין לבצע שינויים מלבד אלו שמופיעים בהוראות היצרן.
- ברגים שננעלים באופן עצמי והתקנים אחרים שמבצעים נעילה עצמית עלולים לאבד את היעילות שלהם.
- יש להימנע מרכיבה במורדים תלולים.

VIII. ניקוי ותחזוקה

ניתן להשתמש בקורקינט חשמלי זה כאמצעי תחבורה, ולכן נדרשת תחזוקה לכל הרכיבים שלו, משום שהם עוברים בלאי עקב השימוש בהם, והדבר לא מכוסה על ידי האחריות.

ניקוי

יש לוודא שהקורקינט החשמלי כבוי, ושכלל הטעינה מנותק, וכן שמכסה הגומי ביציאת הטעינה מהודק היטב לפני ניקויו; אחרת, עלול להיגרם נזק לרכיבים החשמליים. חושב לנתק קודם את המוצר מהמטען, לכסות את תקע הטעינה שעמיד במים, לכבות את אספקת החשמל למוצר, ולהימנע ממגע של נזל בסוללה, במנוע ובחלקים חשמליים אחרים במהלך הניקוי כדי להימנע מסיכון שלא ניתן לצפות. אין להשתמש בזרם מים בלחץ גבוה כדי לנקות את המוצר או לטבול אותו במים.

יש להשתמש במטלית לחה כדי לנקות את הקורקינט החשמלי. אם יש צורך לגרד כלוך, יש להשתמש במברשת רכה, ולאחר מכן במטלית לחה.

יש לוודא שכיסית את יציאת הטעינה כדי להימנע לבעיות עם הרכיבים החשמליים. אין להשתמש באלכוהול, דלק, נפט, או רכיבים כימיים נפיצים או שוחקים. הדבר עלול לגרום לנזק גם למראה וגם למבנה הפנימי של הקורקינט החשמלי. בנוסף, אין להשתמש באקדח מים שיורה בלחץ או במים זורמים.

אחסון

יש לאחסן את הקורקינט החשמלי בסביבה קרירה ויבשה כשלא נעשה בו שימוש. יש להימנע מלהשאיר אותו בחוץ, משום שהוא לא מיוצר לשימוש באזורים רטובים, ליד חומרים שוחקים כגון מי ים, נמלים, וכו'. לא מומלץ גם לחשוף אותו למשך זמן ממושך לטמפרטורות גבוהות שנגרמות מאור שמש ישיר.

IX. טיפול בסוללה ופעולות אסורות

אין להשתמש בדגמים או במותגים אחרים של סוללות. יש להשתמש רק בסוללה המקורית.

אין להניח את הסוללה בסביבה שהטמפרטורה גבוהה מ-50°C או נמוכה מ-20°C- (למשל, אין להניח את הקורקינט החשמלי בתא המטען של מכונית בקיץ), ואין להניח את הסוללה במקומות ליד אש. אחרת, הדבר עלול לגרום לתקלה בסוללה, להתחממות יתר ואפילו לסכנת התלקחות.

יש להימנע מפריקה מלאה של הסוללות. מוטב לטעון אותן כשיש בהן עדיין כוח. הדבר יאריך את חייו הסוללה. בנוסף, אם תבוצע רכיבה על הקורקינט החשמלי באזורים מאוד קרים או חמים, אורך חייו הסוללות עלול להתקצר. זו אינה תקלה של הסוללות, אלא ההתנהגות הרגילה שלהן.

כשלא נעשה שימוש למשך יותר מ-30 יום, חשוב לבצע טעינה מלאה ולאחסן במקום קריר ויבש, וכן לבצע טעינה מלאה של הסוללה כל 60 יום. אי מילוי שלבים אלו עלול לגרום לנזק לסוללה, ונזק זה לא מכוסה על ידי האחריות.

אסור לפרק את תא הסוללות. מותר לבצע מניפולציה באמצעות שימוש בשירותים טכניים רשמיים או בהתאם לסדנאות.

יש להשתמש רק במטען המקורי כדי לבצע טעינה, אחרת יש סיכון לגרום להתלקחות. היפטרות לא הולמת מסוללות משומשות עלולה לגרום לזיהום סביבתי חמור. יש לציית לתקנות המקומיות בעת היפטרות מחבילת סוללות זו.

חשוב לבצע טעינה מחדש של הסוללה לאחר כל שימוש, על מנת להאריך את חייו הסוללה.



תא הסוללה מכיל חומרים מתלקחים ומסוכנים. טיפול לא הולם עלול לגרום לאש, עשן, פיצוץ, ולפציעה גופנית חמורה או לאובדן רכוש. חשוב תמיד לקרוא ולציית לאי ביצוע הפעולות האסורות הבאות, ללבוש את הלבוש המגן המתאים טרם ביצוע פעולה כלשהי שקשורה לסוללה.

יש לשמור את הסוללה הרחק מהישג ידם של פעוטות וילדים כדי להימנע מתאונות כלשהן. אם ילדים משתמשים בסוללה, על האפוטרופסים שלהם להסביר להם כיצד

לטפל בה באופן הולם, ועל אמצעי זהירות שיש לנקוט בהם טרם השימוש. וחשוב תמיד לוודא את יושרת הסוללה.

יש להשתמש רק במטען המיועד, ולטעון את הסוללה רק באופן ההולם. אין לטעון את הסוללה ישירות באמצעות שקע חשמלי, או באמצעות מטען שמיועד להצתת ס'יג'ריות. אין לבצע טעינה לסוללה ללא השגחה.

- אין לבצע טעינה לסוללה באופן מהפוך.
 - אין להשאיר את הסוללה ליד אש או מקור חום, ואין להשליך את הסוללה לאש.
 - אין לטעון את הסוללה או להשתמש בה ברכב או במקום דומה שבו הטמפרטורה עלולה להיות גבוהה מ-50°C.
 - אין לטבול, להשליך, או להרטיב את הסוללה במים / מי ים, וכו'.
 - אין לגרום לקצר או לחבר את המסופים החיוביים (+) והשליליים עם עצם מתכתי. אין לאחסן את הסוללה בכיס, או בשקית ביחד עם עצמים מתכתיים כגון מפתחות, מחרוזות, סיכות לשיער, מטבעות או ברגים.
 - אין לנקב את הסוללה עם עצם חד כגון מחט או מברג.
 - אין לחמם אזור חלקי של הסוללה עם עצמים מחוממים כגון מלחם.
 - אין להכות עם עצמים כבדים, כגון פטיש, או משקולות. אין לדרוך על הסוללה או להשליך או להפיל אותה כדי להימנע מהלם מכאני. אין להשתמש בסוללה מעוותת באופן רציני.
 - אין לפרק את הסוללה או לשנות את עיצוב הסוללה, כולל המעגל החשמלי.
 - אין להלחים את הסוללה ישירות, ואין להשתמש או להרכיב סוללות ישנות וחדשות ביחד.
 - אין להניח את הסוללה במיקורגול, במיבש הכביסה, או במכל בעל לחץ גבוה.
 - אין להשתמש או להרכיב את הסוללה עם סוללות מיתרנים אחרים, מסוגים שונים, ו/או דגמים של סוללות כגון סוללות יבשות, סוללות ניקל מתכת-הידריד, או סוללות ניקל-קדמיום.
- יש לשמור הרחק מלהבה מיד כשמגלים דליפה או ריחות לא נעימים. אם דולף נוזל על העור או הבגדים שלך, יש לשתוף היטב ומיד עם מים מתוקים. אם נוזל שדלף מהסוללה מגיע במגע עם העיניים שלך, אין לשפשף אותן, וחשוב לשתוף אותם במים מתוקים וללכת מיד להיבדק על ידי רופא. אם המסופים של הסוללה התלכלכו, יש לנגב אותם עם מטלית יבשה טרם שימוש בסוללה.
- יש לכסות את המסופים עם סרט בידוד טרם הפיטרות.
- טרם שימוש/התקנה/הסרה של הסוללה או שימוש במטען, חשוב תמיד לעיין במדריך למשתמש ולציית לאמצעי הזהירות המפורטים לגבי הטיפול.

טרם שימוש/התקנה/הסרה של הסוללה או שימוש במטען, חשוב תמיד לעיין במדריך למשתמש ולציית לאמצעי הזהירות המפורטים לגבי הטיפול.

יש להחליף את הסוללה כשזמן השימוש בה קצר בהרבה מהרגיל.

אם יש לאחסן את הסוללה למשך פרק זמן ממושך, יש להסיר את הסוללה מהמכשיר ולאחסן אותה במקום שבו יש לחות וטמפרטורה נמוכות.

בעת טעינה, שימוש ואחסון הסוללה, חשוב לשמור אותה הרחק מחומרים בעלי חשמל סטטי.

לא ניתן להשתמש בסוללה לא נטענת כתחליף.

יש להסיר את הסוללה מהמכשיר לפני שפנטרים ממנו.

יש לוודא שהמכשיר מנותק מאספקת החשמל בעת הסרת הסוללה.

חשוב להיפטר בצורה בטוחה מהסוללה.

אין להשתמש בסוללה אם מופק חשמל סטטי (יותר מ-100V), משום שמעגל הגנת הסוללה עלול להינזק.

אין להסיר את הסוללה. הסרת הסוללה היא עניין מורכב, ועלול לפגום בהפעלת המוצר. יש לפנות למרכז שירות מורשה בלבד כדי להפעיל את הסוללה.

אין לאחסן או לטעון את הסוללה בטמפרטורה שחורגת מהטווח המפורט (יש לעיין במדריך זה). אין לדקור את הסוללה. יש לבדוק את החוקים והתקנות המקומיים שלך לגבי מיחזור ו/או הפיטרות מסוללות.

סוללה שמתחזקת היטב יכולה לספק ביצועים מעולים אפילו לאחר מיילים רבים של רכיבה. יש לטעון את הסוללה לאחר כל רכיבה, ולהימנע מריקון מוחלט של הסוללה.



אזהרה!

יש לשמור הרחק מלהבה מיד כשמגלים דליפה או ריחות לא נעימים. אם דולף נוזל על העור או הבגדים שלך, יש לשתוף היטב ומיד עם מים מתוקים. אם נוזל שדלף מהסוללה מגיע במגע עם העיניים שלך, אין לשפשף אותן, וחשוב לשתוף אותם במים מתוקים וללכת מיד להיבדק על ידי רופא. אם המסופים של הסוללה התלכלכו, יש לנגב אותם עם מטלית יבשה טרם שימוש בסוללה.

יש לכסות את המסופים עם סרט בידוד טרם הפיטרות.

טרם שימוש/התקנה/הסרה של הסוללה או שימוש במטען, חשוב תמיד לעיין במדריך למשתמש ולציית לאמצעי הזהירות המפורטים לגבי הטיפול.

X. טעינה/פריקה ואחסון הסוללה



אזהרה: חשוב לציית להודעה המופיעה.

יש להשתמש רק במטען המקורי. שימוש לא הולם עלול לגרום לפגיעה גופנית ואובדן רכוש. האחריות לא מכסה חבות כלשהי עקב שימוש במטען לא מקורי.

אין לטעון את הסוללה כשנמצאים ליד מקור נזל/אש כלשהו. חשוב להימנע תמיד מחומרים מתלקחים. אין להשאיר את המכשיר ללא השגחה בעת טעינה.

אין לטעון את הסוללה אם יציאת המטען או כבל הטעינה רטוב.

אין לטעון או להשתמש בסוללה אם נגרם לה נזק או אם ראית בה סימן למים.

נכלל בממשק הטעינה חריץ מיוחד. אין לאלץ את המחבר להיכנס, משום שהדבר עלול לגרום לנזק למכשיר.

מחונן המטען מאיר באור אדום בעת טעינת הסוללה. המטען משנה את אורו לירוק לאחר שהושלמה הטעינה.

יש להסיר את המטען כשמחונן המטען מאיר באור ירוק. טעינת יתר או פריקת יתר יגרמו לנזק בלתי הפיך לסוללה או אובדן רכוש. אם מחונן המטען שינה את אורו לירוק מיד במהלך ביצוע טעינה לאחר רכיבה, נא לנתק את המטען ולאפשר לסוללה להתקרר לפני ביצוע טעינה חוזרת. זו תופעה רגילה של הגנה חכמה עקב טמפרטורה פנימית גבוהה של הסוללה. ניתן להתחיל בטעינה לאחר שהסוללה התקררה.

יש להפסיק את הטעינה ולנתק את המטען, אם הסוללה לא טעונה לגמרי לאחר ביצוע טעינה למשך פרק הזמן המומלץ. יש לפנות לשירות לקוחות לקבלת מידע נוסף.

יציאת הטעינה צריכה להיות מכוסה על ידי הצמדת מכסה הגומי לאחר כל טעינה.

חשוב לנקוט במשנה זהירות בעת טיפול בסוללה.

יש להפסיק להשתמש בסוללה אם הסוללה מרגישה חמה באופן חריג, או יש לה ריח, שינוי צבע, עיוות, או מצב חריג אחר שמגלים במהלך השימוש, טעינה או אחסון.

ניתן להשתמש בסוללה בטווח הטמפרטורות הבא. אין לחרוג מטווח זה.

טמפרטורת הפעלה: 10°C - -60°C (ביצועי הסוללה עשויים להיות שונים בהתאם לטמפרטורה)

טמפרטורת טעינה: 10°C - 45°C

טמפרטורת אחסון והעברה: 10°C - -45°C

לחות אחסון: 10% - 80%

יש להחליף את הסוללה כשזמן השימוש בה קצר בהרבה מהרגיל. אם יש לאחסן את הסוללה למשך פרק זמן ממושך, יש להסיר את הסוללה מהמכשיר ולאחסן אותה במקום שבו יש לחות וטמפרטורה נמוכות.

בעת טעינה, שימוש ואחסון הסוללה, חשוב לשמור אותה הרחק מחומרים בעלי חשמל סטטי.

לא ניתן להשתמש בסוללה לא נטענת כתחליף.

יש להסיר את הסוללה מהמכשיר לפני שנפטרים ממנו.

יש לוודא שהמכשיר מנותק מאספקת החשמל בעת הסרת הסוללה.

חשוב להיפטר בצורה בטוחה מהסוללה.

אין לנסות לפרק את הסוללה. אין לגעת במגעים של הסוללה. אין לפרק או לדקור את כיסוי הסוללה.

יש לשמור את מגעי הסוללה הרחק מעצמים מתכתיים כדי להימנע מקצר חשמלי. סיכון של אש והלם חשמלי. אין לטעון או להשתמש בסוללה אם נגרם לה נזק או אם ראית בה סימן למים.

במקרה שקרתה תאונה או שבירה: נא לפנות לשירות תיקון מורשה במדינתך.

על המשתמש לפנות לשירות לקוחות מורשה או מומחה.

IX. פרטי שימוש

גומי	חומר הצמיג
הנעה קדמית	יחידת הנעה
10 אינץ'	קוטר הגלגל
IPX4	עמיד במים
כן	מחזירי אור
כן	פנס קדמי
לא	אפליקציה
כן	איתות קולי
כן	תאורה אחורית
כן	Bluetooth
10°	יכולת טיפוס

שם מוצר	Acer Electric Scooter ES Series 5
דגם	AES015
ממדים, לא מקופל	118L x 49W x 125H (ס"מ)
ממדים, מקופל	118L x 49W x 55H (ס"מ)
משקל, כולל הסוללה	18.5 ק"ג
מנוע	350W
סוללה	15Ah
סוג סוללה	ליתיום-יון
יצרן הסוללה	TIANHONG
טעינה	42V/2.0A
יצרן מתאם:	FUYUANDIAN, דגם מספר: FY-4202000
זמן טעינה מלאה	4 שעות
מהירות מקסימלית	20 קמ"ש או 25 קמ"ש (תלוי בתקנה במדינה)
מרחק מקסימלי ללא טעינה	60 ק"מ
תקנת מהירות	כן
מצבי מהירות	3
רמת מצבי מהירות	6-0 קמ"ש; 10-0 קמ"ש; 20-0 או 25 קמ"ש (תלוי בתקנה במדינה)
מנגנון קיפול	כן
חומר עיקרי	משטח מסגסוגת אלומיניום, גלגל קדמי מפלדה
משקל מרבי	עד ל-100 ק"ג
מרווח	11 ס"מ
גובה כידון ניתן לכוונן	לא
מעצורים	מעצור חשמלי קדמי, ומעצור דיסק אחורי
תצוגה	תצוגת LED
סופג גלגל	כן
גלגלים	גלגל צמיג מלא

Acer Incorporated
8F, 88, Sec. 1, Xintai 5th Rd., Xizhi
New Taipei City 221, Taiwan

הצהרת תאימות של האיחוד האירופאי

אנו,
Acer Incorporated
8F, 88, Sec. 1, Xintai 5th Rd., Xizhi, New Taipei City 221, Taiwan

-1
Acer Italy s.r.l.
Viale delle Industrie 1/A, 20044 Arese (MI), Italy
טל': +39-02-9399-2913, פקס: +39-02-9399-2913
www.acer.it

Acer Electric Scooter ES Series 5
מוצר:
acer שם מסחרי:
AES015 מספר דגם:
***** AES015 מספר SKU:
("*****=0-9, a-z, Z-A, או ריק)

אנו, Acer Incorporated, מצהירים בזאת תחת האחריות היחידה שלנו שהמוצר המתואר לעיל מציינת לחקיקה הרלוונטית של הרמוניזציה איחוד: Machinery Directive 2006/42/EC and RoHS Directive 2011/65/EU. הוחלו תקני ההרמוניה הבאים, ו/או תקנים רלוונטיים אחרים:

EN 301 489-17 V3.2.4
EN 62479:2010
EN IEC 63000:2018

EN 17128:2020
EN 300 328 V2.2.2
EN 301 489-1 V2.2.3

השנה להתחלת הצמדת CE לסימון: 2022.

RU Jan / מנהל בכיר
Acer Incorporated (טייפיי, טיייוון)

XII. אחרים

1. תאריך היצור מופיע בתווית המוצר

2. אסון

יש לאחסן מוצר זה במקום יבש, קריר ובטוח, ולהימנע מלחות וטמפרטורות גבוהות. לחות עלולה לגרום לנזק לרכיבים החשמליים. אם חלה תקלה בסוללת הליתיום, נא לפנות לסוכנות המקומית שלך למחזור, ולהיפטר מסוללת הליתיום בהתאם לחוקים והתקנות הלאומיים או המקומיים.

• טמפרטורת הפעלה: -10°C - 60°C

• טמפרטורת טעינה: 10°C - 45°C

• טמפרטורת אסון והעברה: -10°C - 45°C

• לחות אסון: 10% - 80%

3. אין להיפטר ממוצר זה ביחד עם פריטי אשפה אחרים של משק הבית. נא למחזר את המוצר כדי להפחית למינימום את זיהום הסביבה תוך ציות לתקנות המקומיות, או לפנות למשרדי העירייה המקומית אודות שירות היפטרות מאשפה של משק בית.

4. (1) המכשירים לא מיועדים לשימוש בגובה של יותר מ-2000 מטר מעל לגובה פני הים.

(2) חשיפה למשך זמן ממושך לקרינת UV, לגשם ולפגעי הסביבה עלולה להזיק לחומר המכסה. חשוב לאחסן בפנים כשלא נעשה שימוש.

(3) אזהרה - סכנת התלקחות - אין חלפים שהשתמש יכול לטפל בהם.

16 במאי, 2022
תאריך